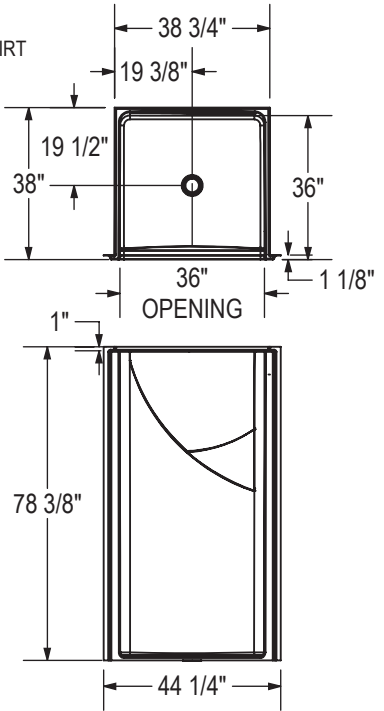
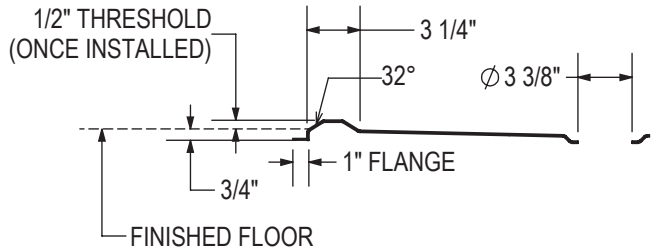


BASE MODEL WITH REDUCED SKIRT

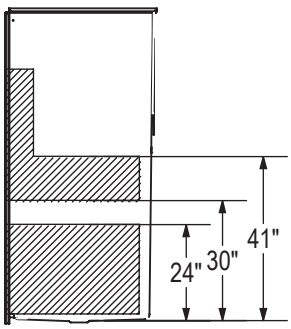


THRESHOLD DETAIL (REDUCED SKIRT)

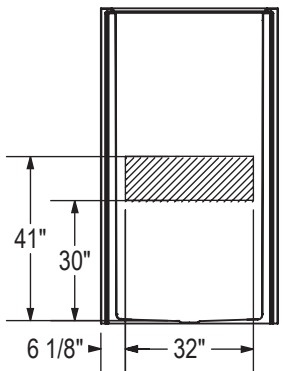


REINFORCEMENT BACKING

RIGHT WALL SHOWN  
LEFT WALL SYMMETRICAL



BACK WALL



All dimensions are approximate. Structure measurements must be verified against the unit to ensure proper fit.