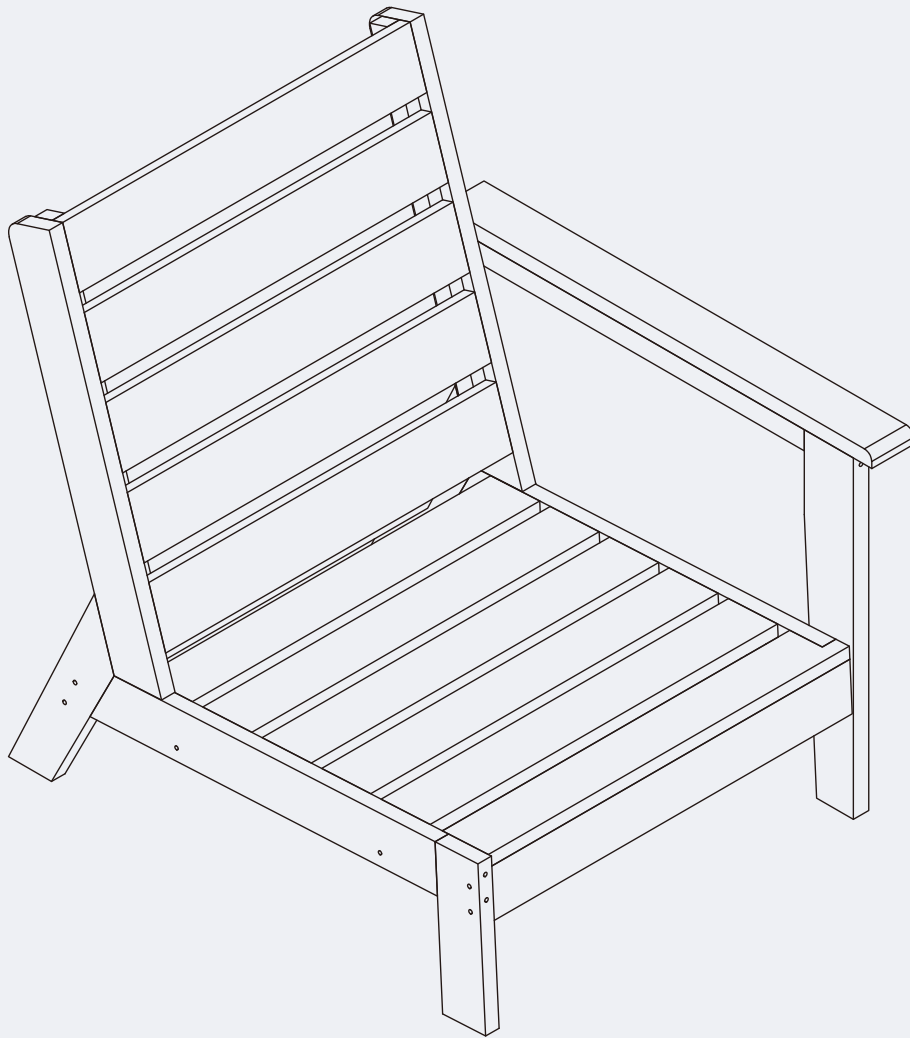


# INSTRUCTION MANUAL



Deep Seating Right Arm Facing Chair

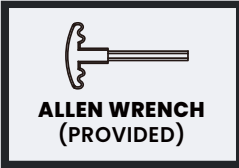
V1.0

## ! CARE & MAINTENANCE

### Please keep these instructions for your future reference.

- Be careful when assembling to avoid damaging the plating of the surface.
- Clean the chair with lukewarm water, mild detergent, & soft cloth.
- Firmly secure all bolts before use. Do not use any part of this item as a step ladder.
- Make sure that all bolts, screws, and nuts are secure every 90 days..
- Do not use or store this item in the proximity of open flame or flammable/combustible chemicals.
- Be aware that some parts are heavy and have sharp edges.
- Do not overtighten screws (insert all screws before tightening screws).

## TOOLS REQUIRED



**330 LBS  
CAPACITY**

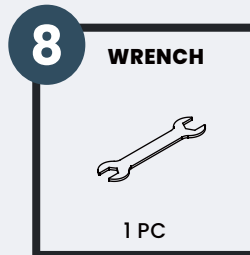
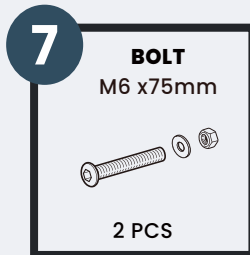
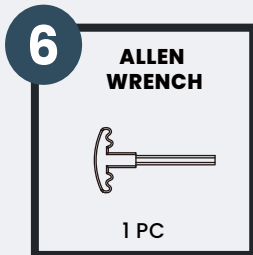
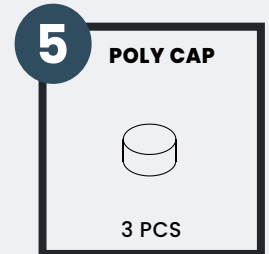
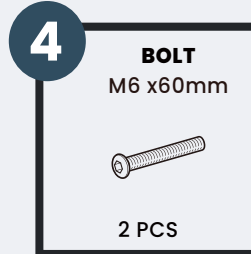
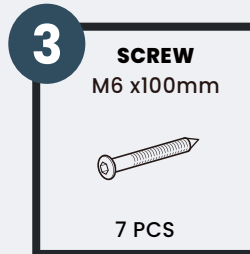
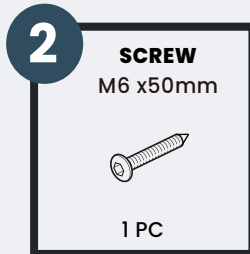
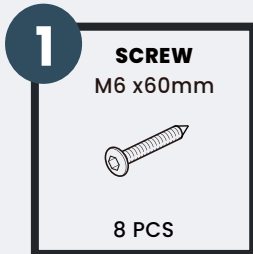


**2 PERSON  
ASSEMBLY**

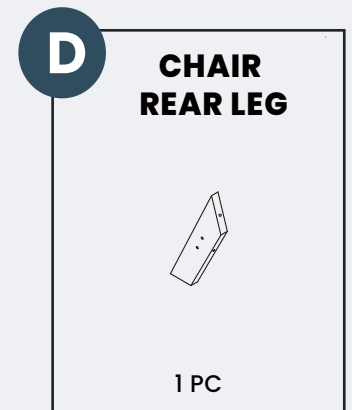
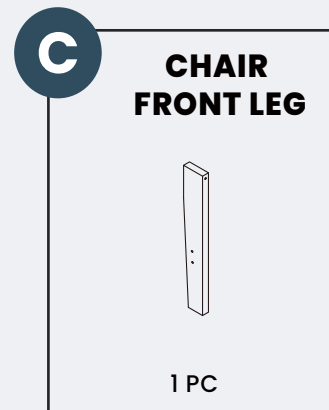
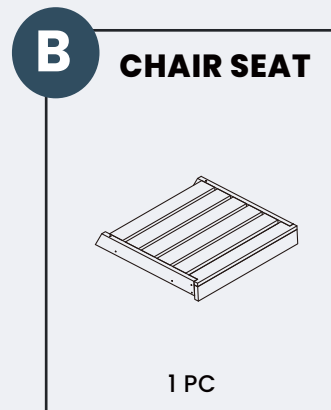
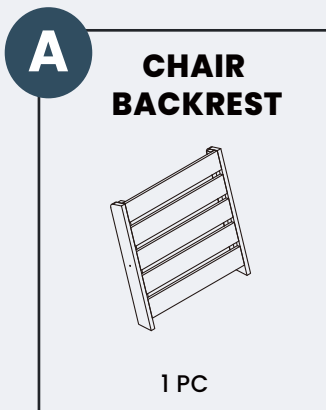


**UP TO 30 MIN.  
ASSEMBLY**

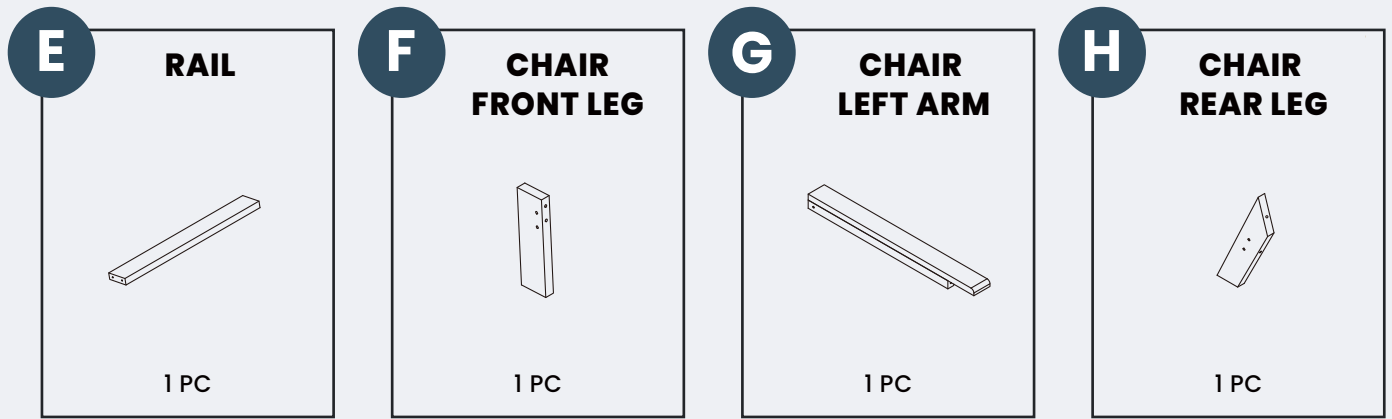
## HARDWARE



## PARTS

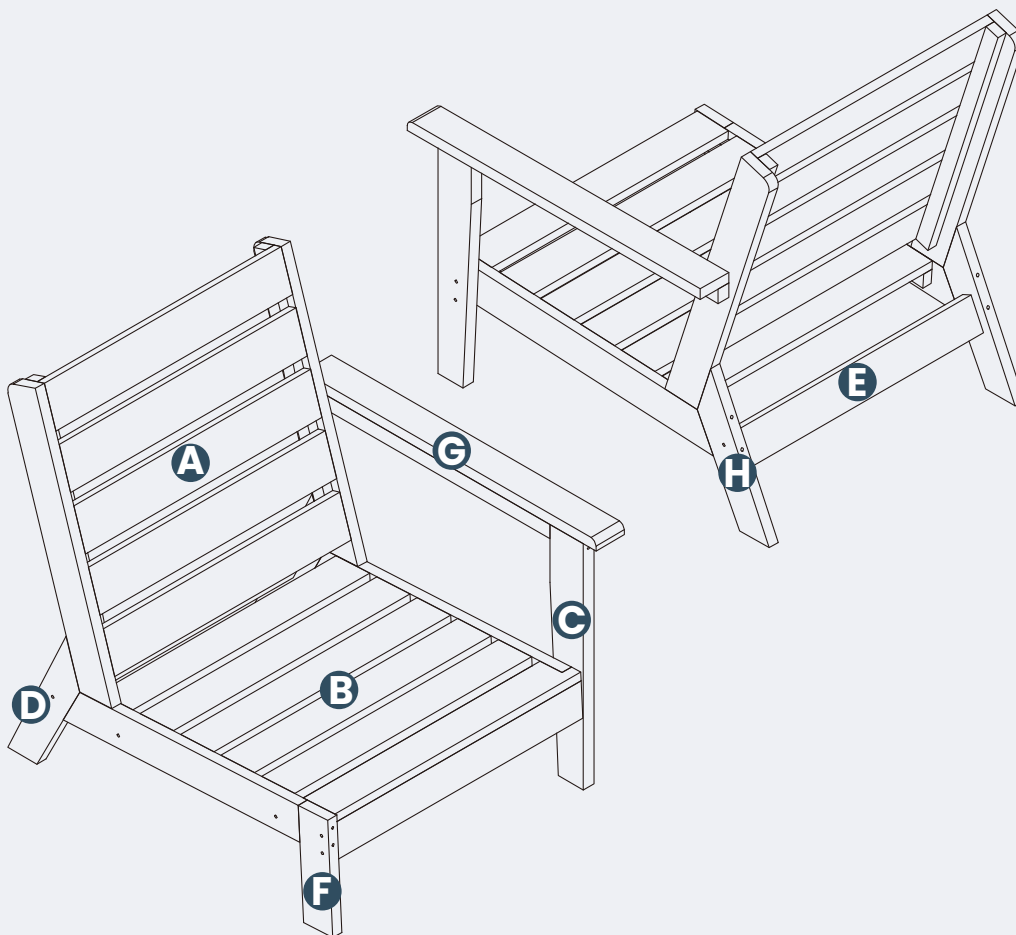


## PARTS



## PRODUCT ASSEMBLY - OVERALL VIEW

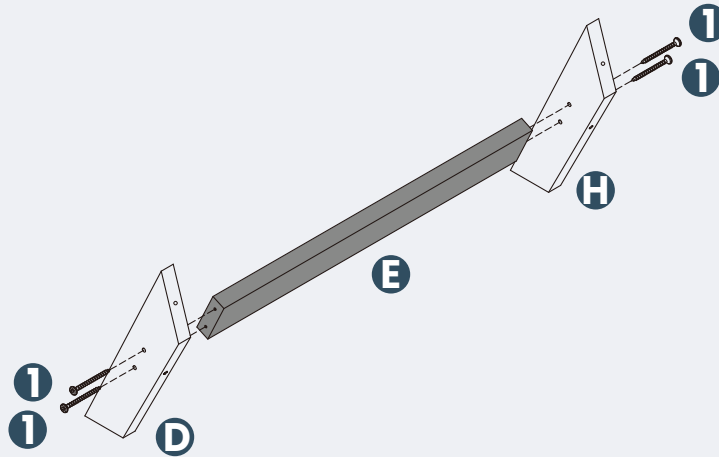
Look at following overall view of this chair and learn the exact position of each parts to be assembled.



## PRODUCT ASSEMBLY

1

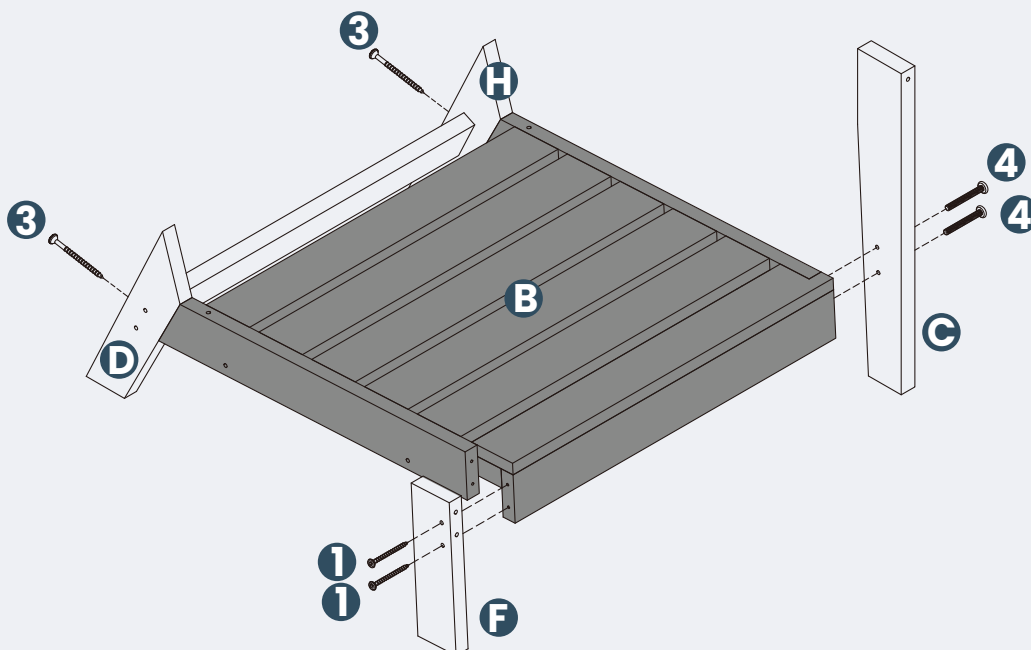
Attach **part E Rail** to **part D and part H Rear Leg** with 4 pcs of hardware **#1 Screw**.



## PRODUCT ASSEMBLY

2

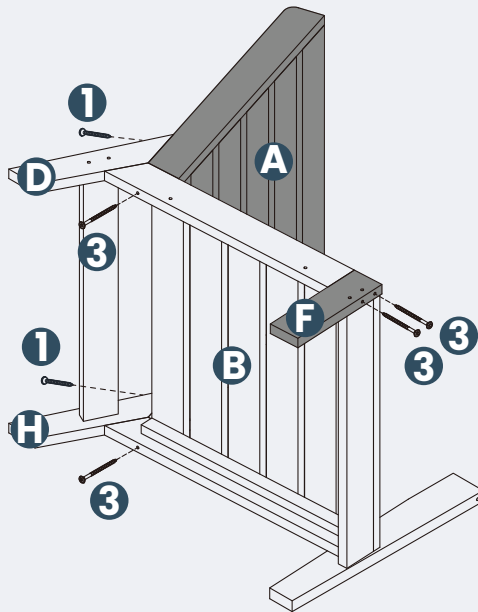
Attach **part D and part H Rear Leg** to **part B Seat** with 2 pcs of hardware **#3 Screw**.  
Attach **part C Front Leg** to **part B Seat** with 2 pcs of hardware **#4 Bolt**.  
Attach **part F Front Leg** to **part B Seat** with 2 pcs of hardware **#1 Screw**.



## PRODUCT ASSEMBLY

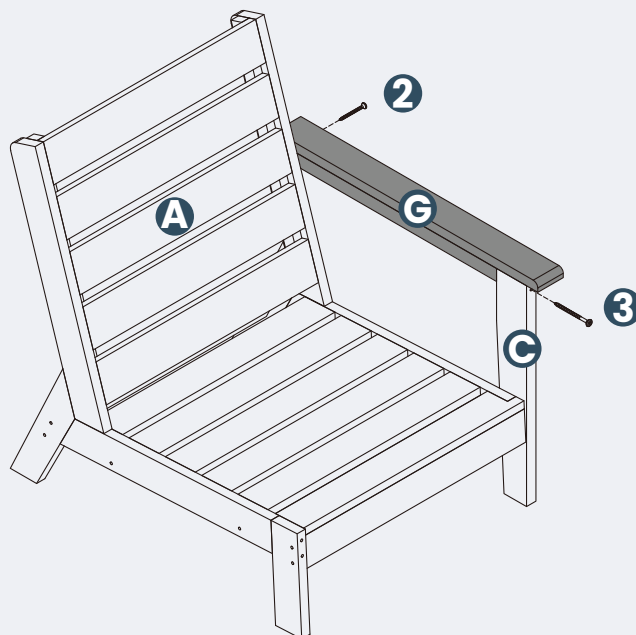
3

Attach **part A Backrest** to **part B Seat** with 2 pcs of hardware **#3 Screw**.  
Attach **part D** and **part H Rear Leg** to **part A Backrest** with 2 pcs of hardware **#1 Screw**.  
Attach **part F Front Leg** to **part B Seat** with 2 pcs of hardware **#3 Screw**.



4

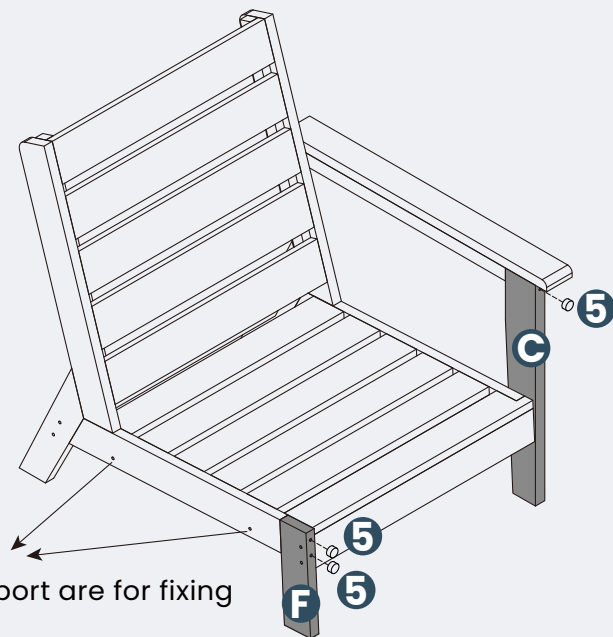
Attach **part G Left Arm** to **part A Backrest** with 1 pc of hardware **#2 Screw**.  
Attach **part G Left Arm** to **part C Front Leg** with 1 pc of hardware **#3 Screw**.



## PRODUCT ASSEMBLY

5

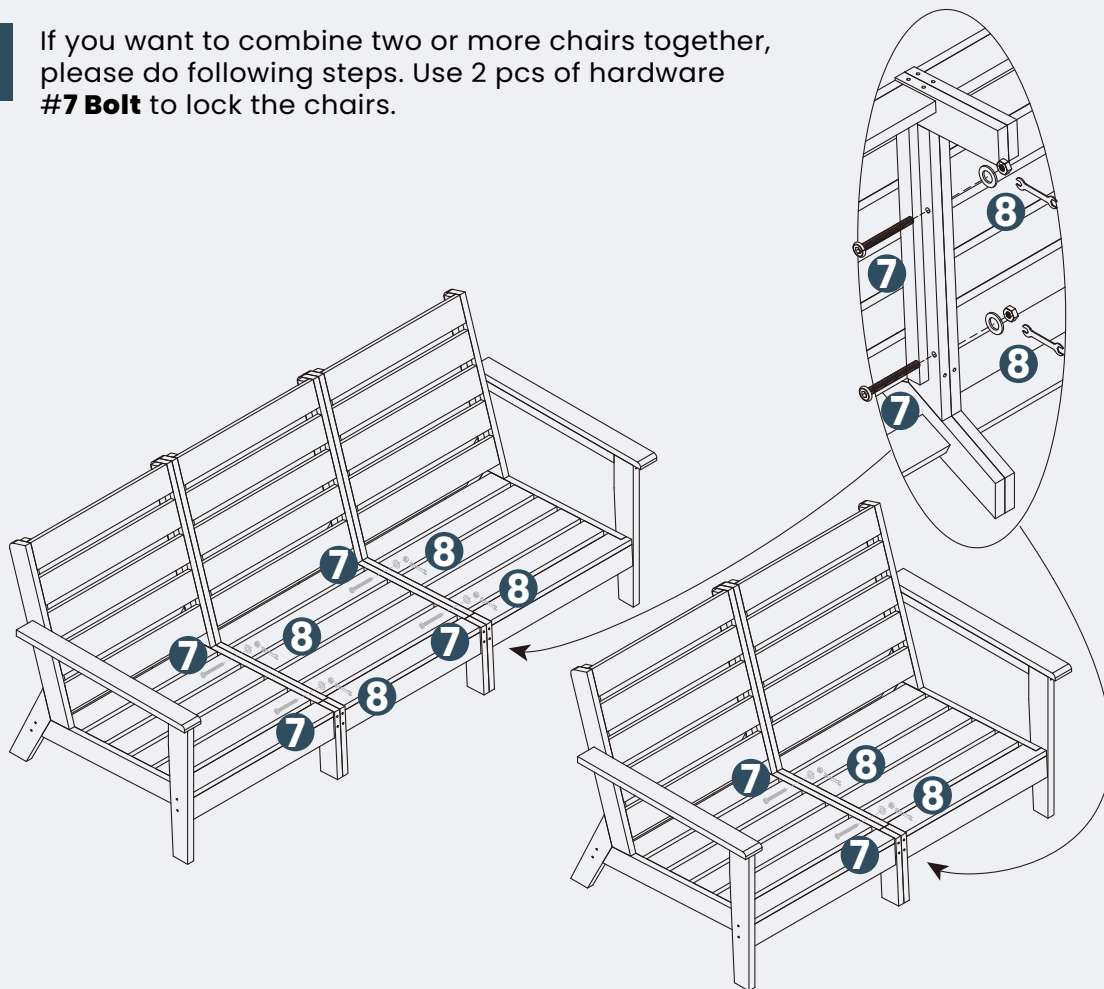
The poly cap here is not easy to remove after being plugged in, and may cause the arm and front leg to be hard to disassemble. Please pay attention and decide whether you really need this poly cap or not during assembly.



The holes on the seat support are for fixing the chair to other chairs.

6

If you want to combine two or more chairs together, please do following steps. Use 2 pcs of hardware #7 Bolt to lock the chairs.



---

## CLEANING TIPS

**REGULAR CLEAN:** Use a mixture of warm water and mild soap. Gently scrub the surface with a soft bristle brush to remove any dirt or stains.

**QUICK CLEAN:** You can simply wipe down the furniture with a damp cloth.

Regular cleaning not only preserves the aesthetic appeal of your furniture, but also helps extend its lifespan.