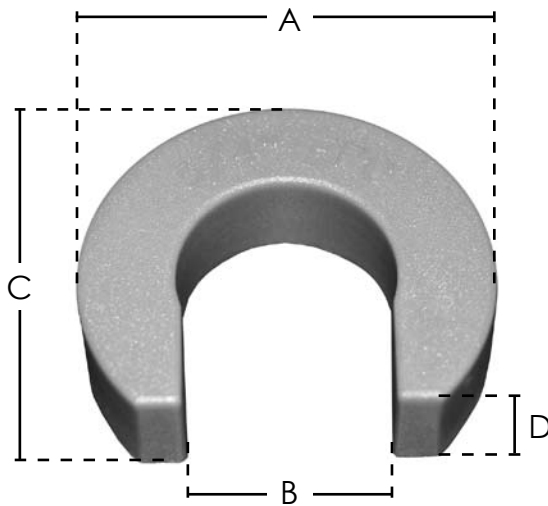


# SPECIFICATION SUBMITTAL SHEET

JONES STEPHENS CORPORATION

## *PlumBite* REMOVAL TOOL

### PART NO. C76-520, C76-521



#### features and benefits:

- ◆ Push Fit
- ◆ Reduced Installation Time
- ◆ 1/2" and 3/4" diameter Potable Water Systems
- ◆ "O-Ring" Design for Leak-free Seals
- ◆ Designed for use with ASTM B88 hard drawn and annealed copper tube, Type K, L, or M, in the 1/2" through 3/4" size range; CPVC water tube per ASTM D2846/2846M and Pex tube that meets the requirements of ASTM F876 & F877
- ◆ Operate at temperatures from 0° to 250°F at a maximum working pressure of 200 psi.
- ◆ Sold in bag quantity only

This product and others like it can be found in the Jones Stephens catalog. Call today to order your catalog or download it from our website:  
[www.plumbest.com](http://www.plumbest.com)

PART NO.	DESCRIPTION	A	B	C	D
☐ C76-520	1/2" Removal Tool	1 1/4"	9/16"	1"	5/16" (thick)
☐ C76-521	3/4" Removal Tool	1 3/4"	13/16"	1 1/2"	1/2" (thick)

Jones Stephens Corporation  
3249 Moody Parkway • Moody, Alabama 35004  
Toll Free Phone: 1-800-355-6637 • Toll Free Fax: 1-800-462-6991  
[www.plumbest.com](http://www.plumbest.com)