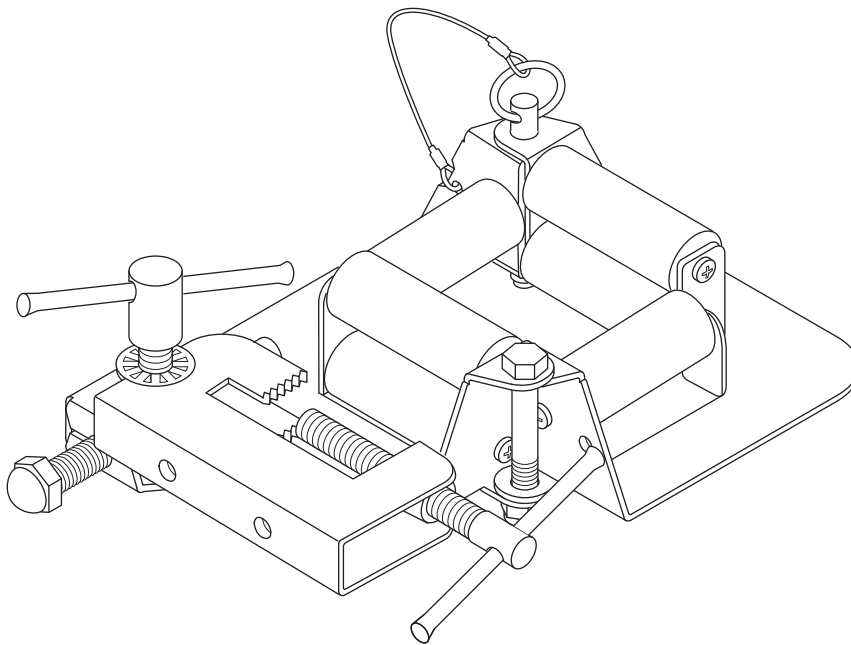


INSTRUCTION MANUAL



CR25 Cable Roller Guide



Read and understand all of the instructions and safety information in this manual before operating or servicing this tool.

Register this product at www.greenlee.com

Table of Contents

Description	2
Safety	2
Purpose of this Manual	2
Important Safety Information	3
Operation.....	4
Operating Tips.....	5
Illustration and Parts List.....	6

Description

The Greenlee CR25 Cable Roller Guide is intended to install network data cables (Category 5, 5e, and 6). It is not intended for installation of electrical power cables.

The CR25 is constructed of heavy-duty 12 gauge cold rolled steel. It can be used while pulling up to 20 network data cables at once.

Safety

Safety is essential in the use and maintenance of Greenlee tools and equipment. This manual and any markings on the tool provide information for avoiding hazards and unsafe practices related to the use of this tool. Observe all of the safety information provided.

Purpose of this Manual

This manual is intended to familiarize all personnel with the safe operation and maintenance procedures for the following Greenlee tool:

CR25 Cable Roller Guide

Keep this manual available to all personnel.

Replacement manuals are available upon request at no charge at www.greenlee.com.

All specifications are nominal and may change as design improvements occur. Greenlee Tools, Inc. shall not be liable for damages resulting from misapplication or misuse of its products.

KEEP THIS MANUAL

IMPORTANT SAFETY INFORMATION



SAFETY ALERT SYMBOL

This symbol is used to call your attention to hazards or unsafe practices which could result in an injury or property damage. The signal word, defined below, indicates the severity of the hazard. The message after the signal word provides information for preventing or avoiding the hazard.

⚠️ DANGER

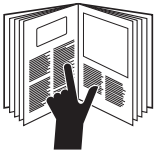
Immediate hazards which, if not avoided, **WILL** result in severe injury or death.

⚠️ WARNING

Hazards which, if not avoided, **COULD** result in severe injury or death.

⚠️ CAUTION

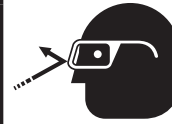
Hazards or unsafe practices which, if not avoided, **MAY** result in injury or property damage.



⚠️ WARNING

Read and understand all of the instructions and safety information in this manual before operating or servicing this tool.

Failure to observe this warning could result in severe injury or death.



⚠️ WARNING

Wear eye protection when operating or servicing this tool.

Failure to wear eye protection could result in serious eye injury from flying debris.



⚠️ WARNING

Wear a hard hat when using this tool.

Failure to wear a hard hat could result in severe injury or death.

⚠️ WARNING

- Do not exert more than 25 pounds of pull tension during a pull.
- Do not support more than 10 pounds of weight with this tool.
- Use this tool for the manufacturer's intended purpose only. Use other than that which is described in this manual may result in injury or property damage.

Failure to observe these warnings could result in severe injury or death.

Note: Keep all decals clean and legible, and replace when necessary.

Operation

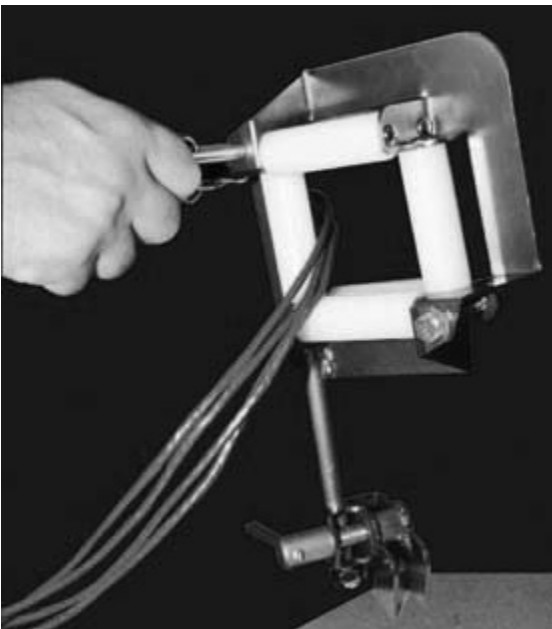
1. Clamp the CR25 onto a tray or joist and run cables through.



3. When finished, open the bracket and lay cables in the trough. Remove the CR25.



2. Close the bracket and install the quick release pin. Pull the cables through.



Operating Tips

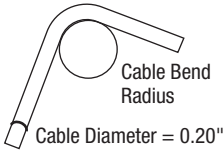



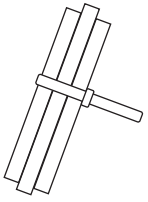
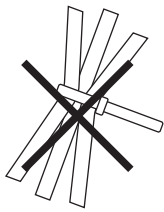
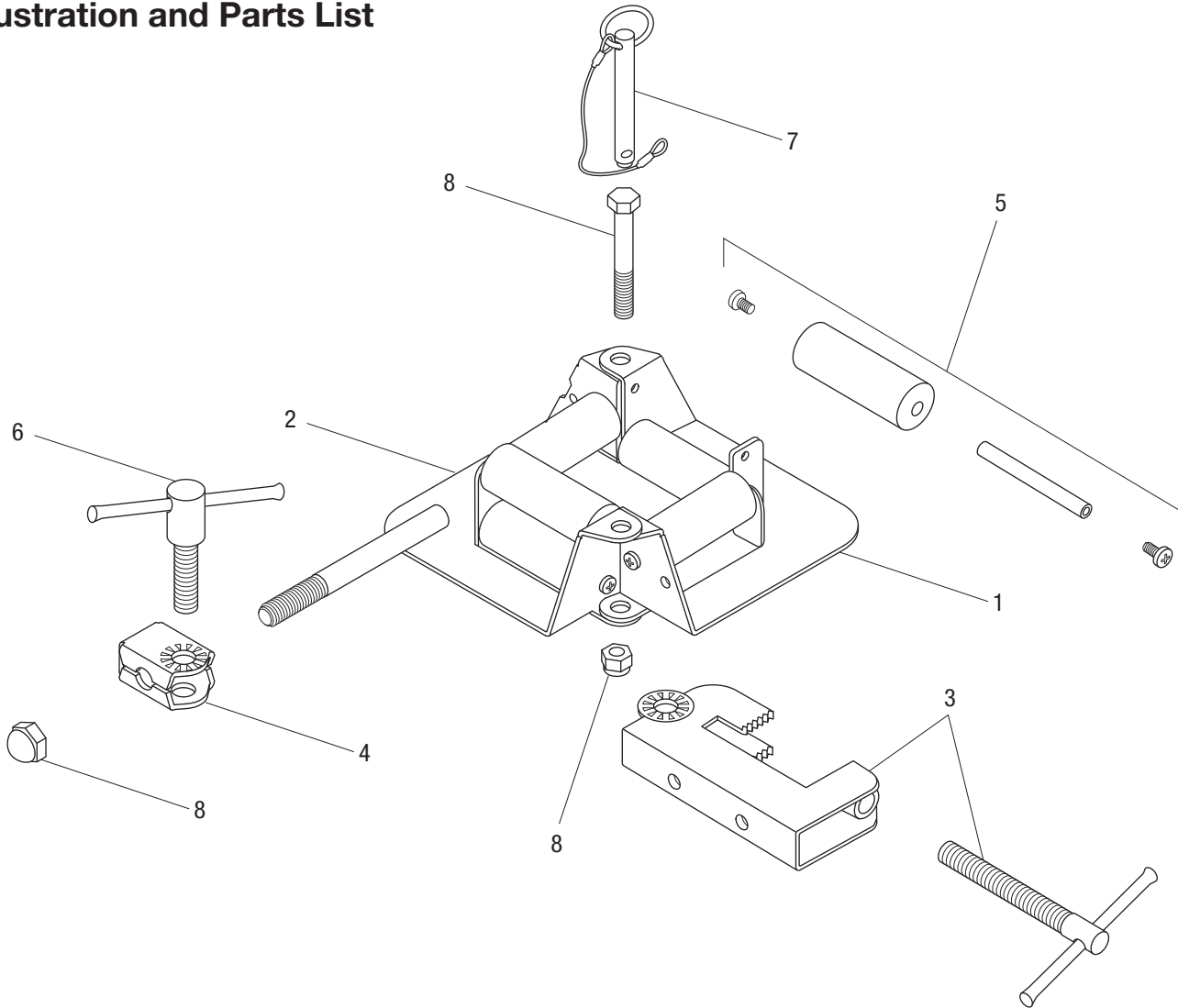
<p>Minimum Bend Radius</p>   <p>Maintain a maximum bend radius of 4 times the cable diameter (4-pair cables).</p> <p>Never exceed a 90° bend.</p>
<p>Cable Stretching</p>   <p>Avoid stretching the cable.</p> <p>Do not exceed 25 lb of pulling tension.</p>
<p>Cable Bundling</p>   <p>Apply cable ties loosely and at random intervals.</p> <p>Do not overtighten cable ties.</p>

Illustration and Parts List



Key	Part No.	Description	Qty
1	52020772	L body	1
2	52020773	L body with 5" rod.....	1
3	52020774	C clamp with 4-1/2" 1/2-13 threaded rod	1
4	52020775	Cinch clamp.....	1
5	52020776	Black roller with axle and two 10/24 plated steel 3/8 pan Phillips screws	1
6	52020777	3" 1/2-13 threaded rod for cinch clamp	1
7	52020778	3/8 x 2-1/4 quick release pin with attached lanyard	1
8	52020779	Hardware set: 2-3/4 x 3/8" coarse thread bolt, acorn cap nut, 1/2" (3/4" A/F x 9/16" Th.), 3/8-16 nylon insert locknut	1