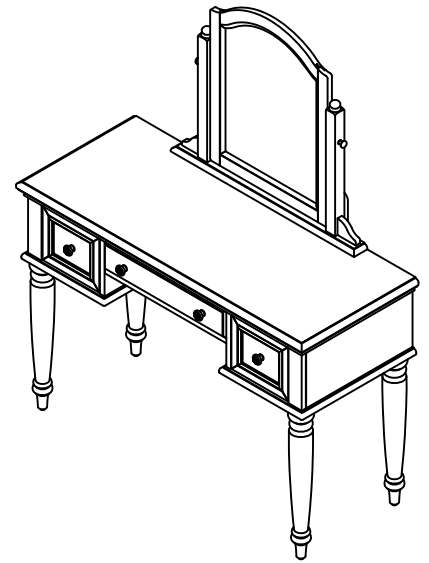


88 5543 70

Bermuda Vanity with Mirror



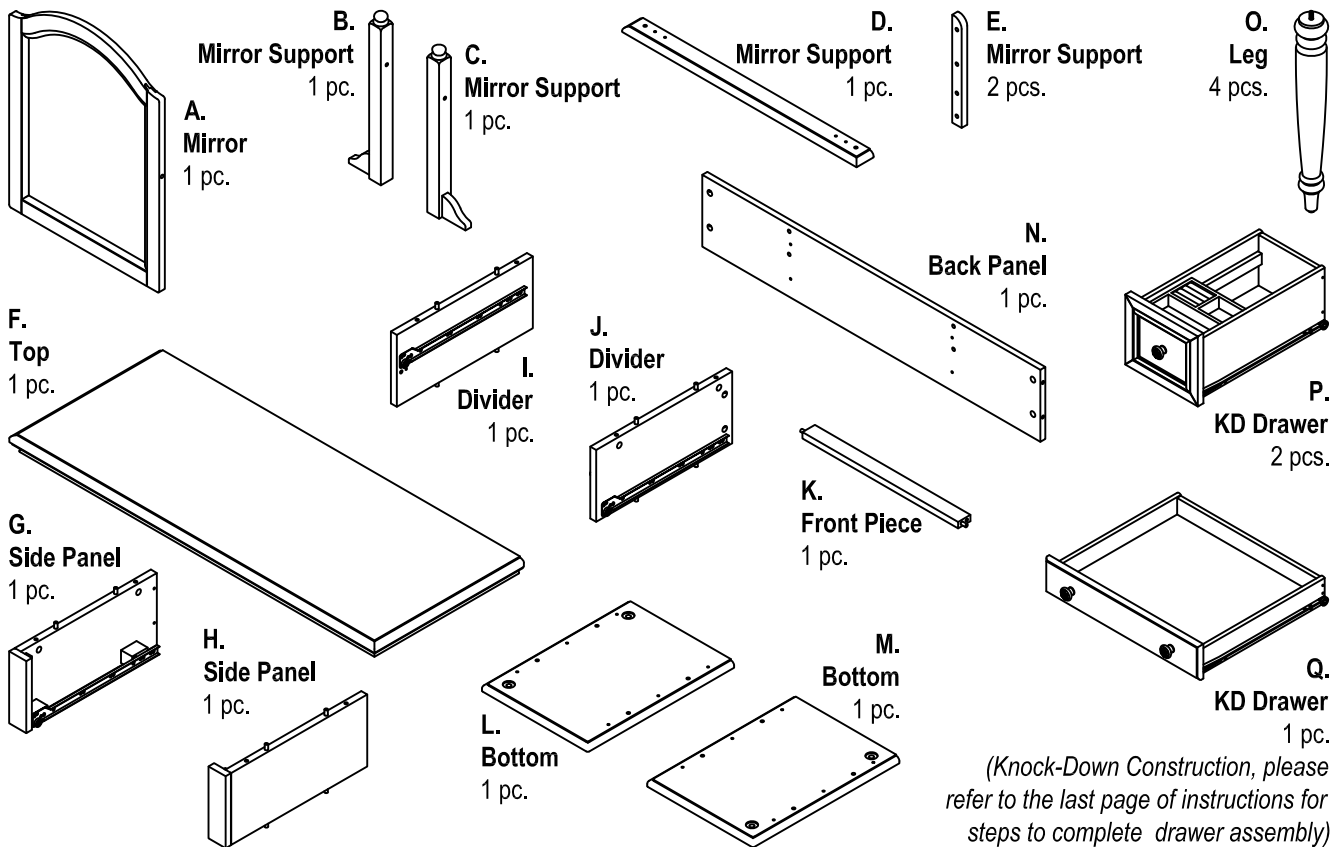
IMPORTANT NOTE

Carefully remove all the parts from the carton and put them individually on a soft cloth to prevent scratches or other damages occurring to the wood parts.

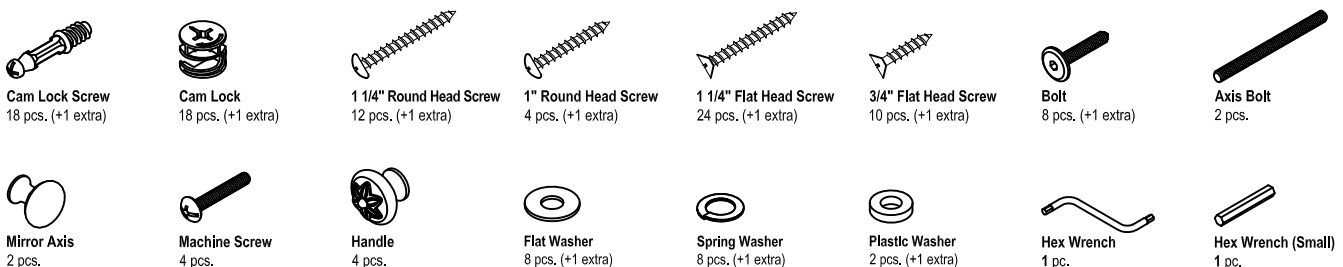
We have taken great care in the design of this product and request that you carefully and strictly follow our assembly instructions to ensure a completed product as it was designed.

Home Styles

Part List



Hardware List



Tools required for assembly : Phillips screwdriver

Tools recommended for assembly : Level

Home Styles Consumer Assistance: www.homestyles-furniture.com,
servicedesk@homestyles-furniture.com, 888-680-7460, 877-831-0319

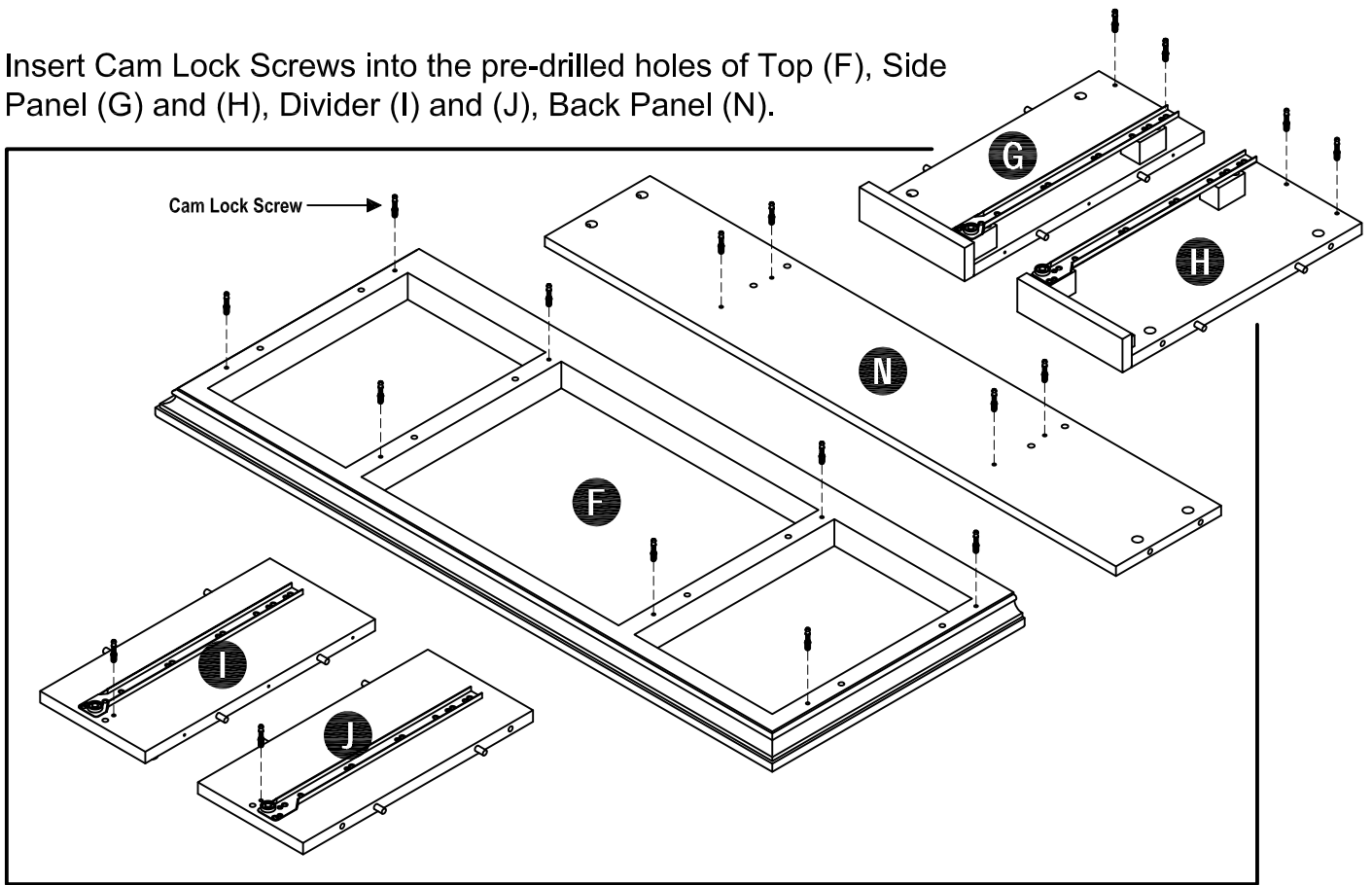
Assembly Instructions 2/9

IMPORTANT

- * Do not tighten up all the screws until each part is properly assembled.
- * You should keep Hex Wrench in a safe place as you may need to tighten up the Head Cap Bolts in the future.
- * After assembly, item must be level to work properly. use the included adjustable levelers to level
- * Use a soft cloth between these parts and the floor.

STEP 1

Insert Cam Lock Screws into the pre-drilled holes of Top (F), Side Panel (G) and (H), Divider (I) and (J), Back Panel (N).



STEP 2

Attach Front Piece (K) to Divider (I) and (J) with Cam Locks.

(See figure 1)

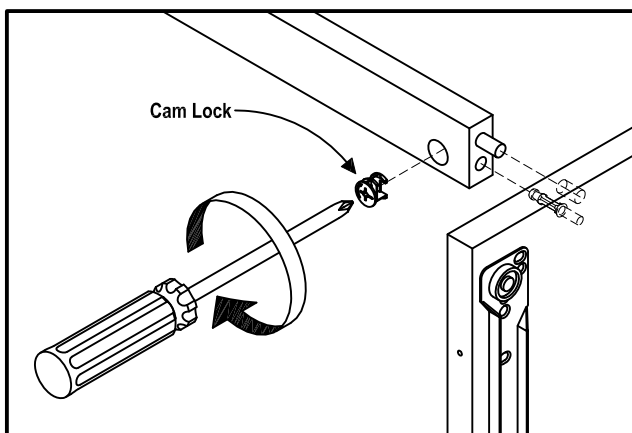
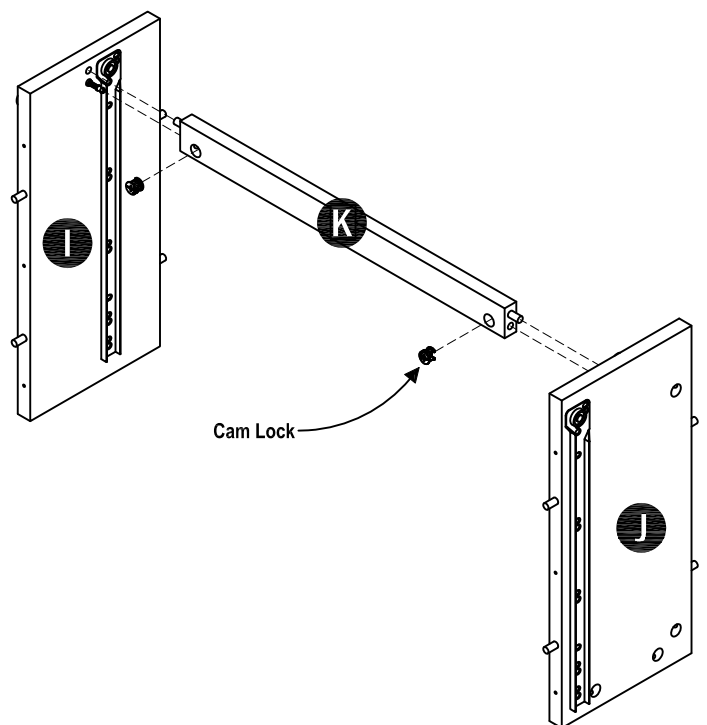


Figure 1



Assembly Instructions 3/9

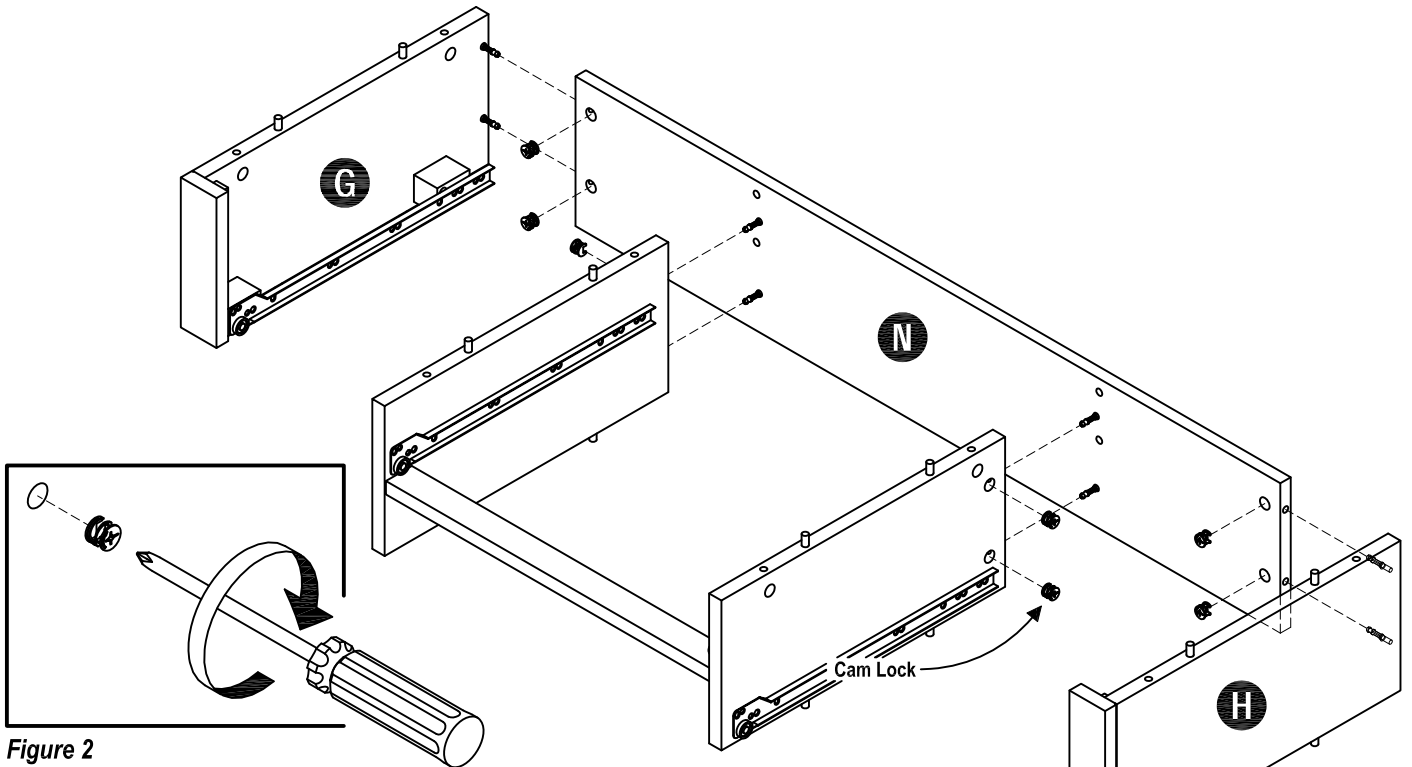
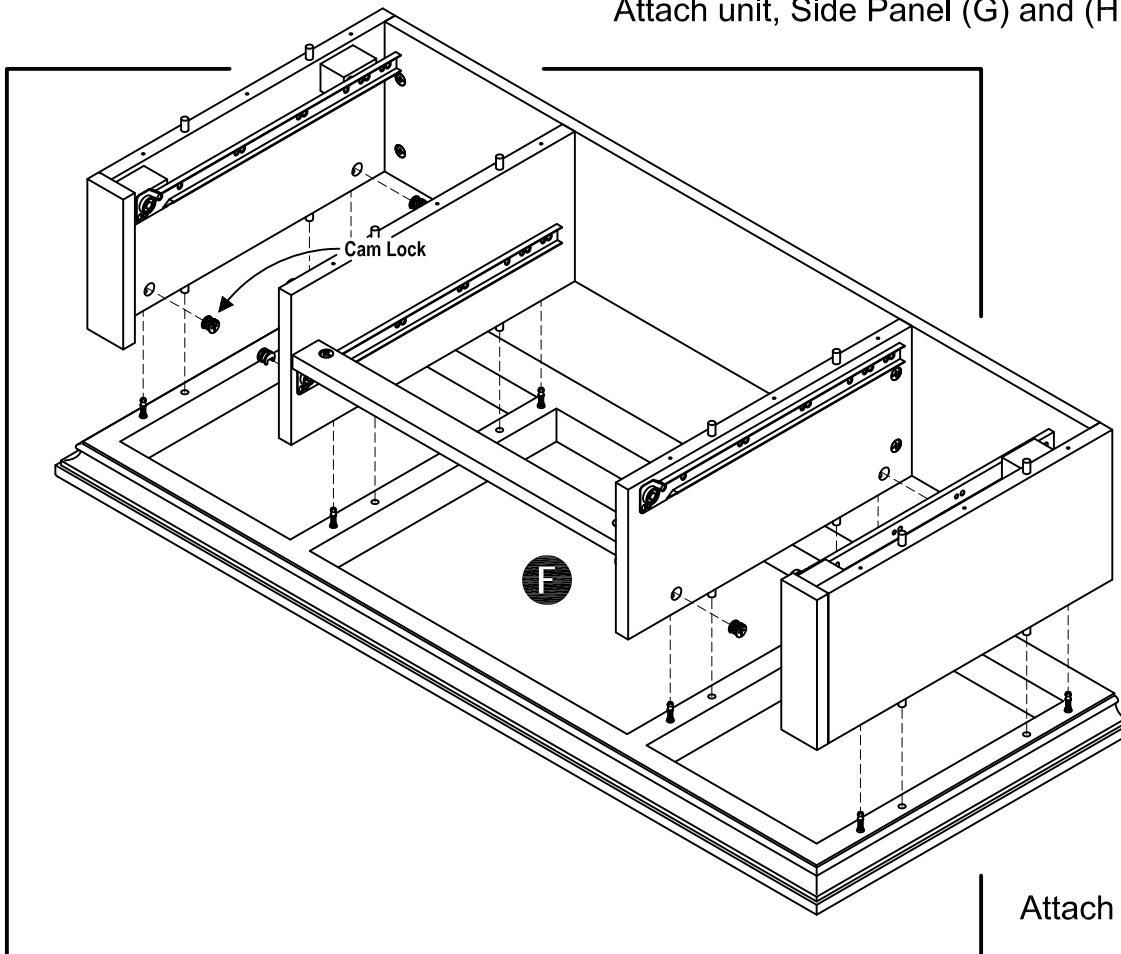


Figure 2

STEP 3

Attach unit, Side Panel (G) and (H) to Back Panel (N) with Cam Locks. (See figure 2)



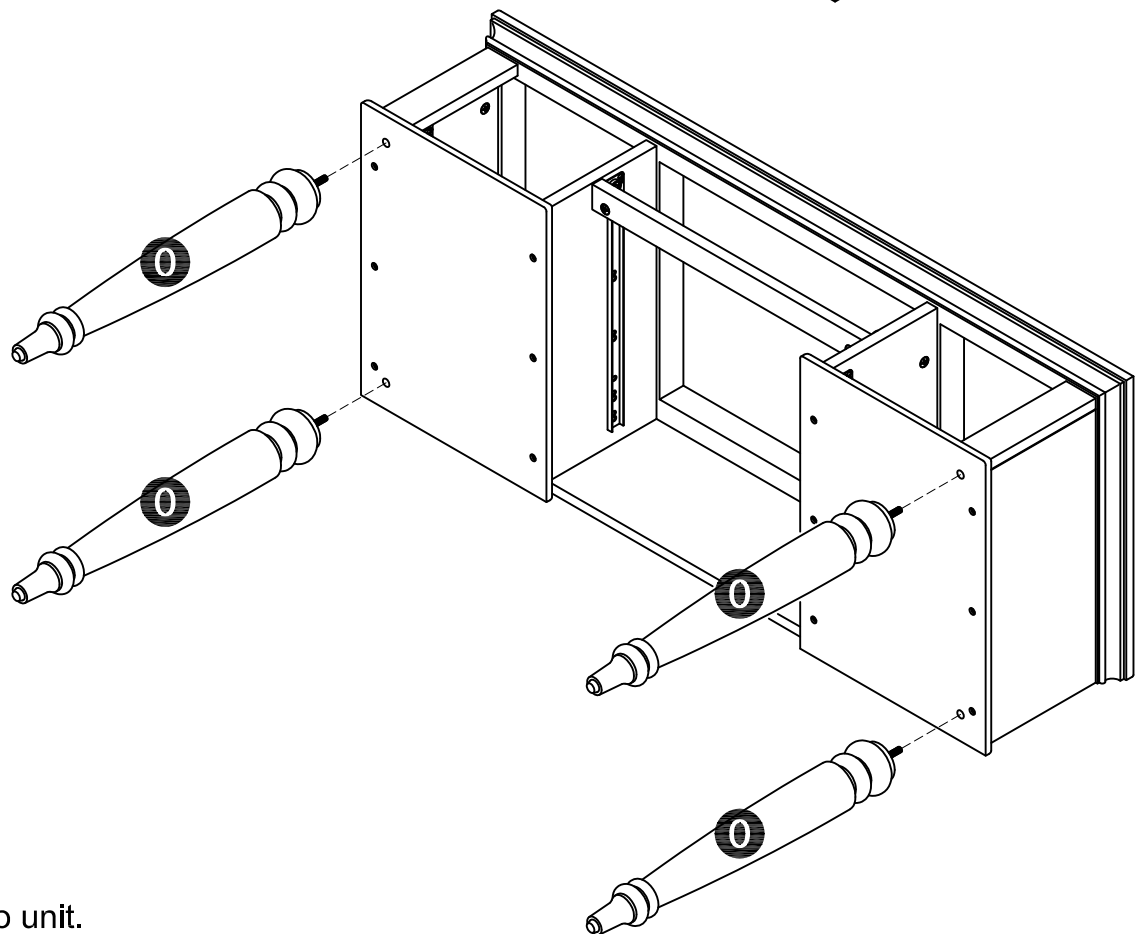
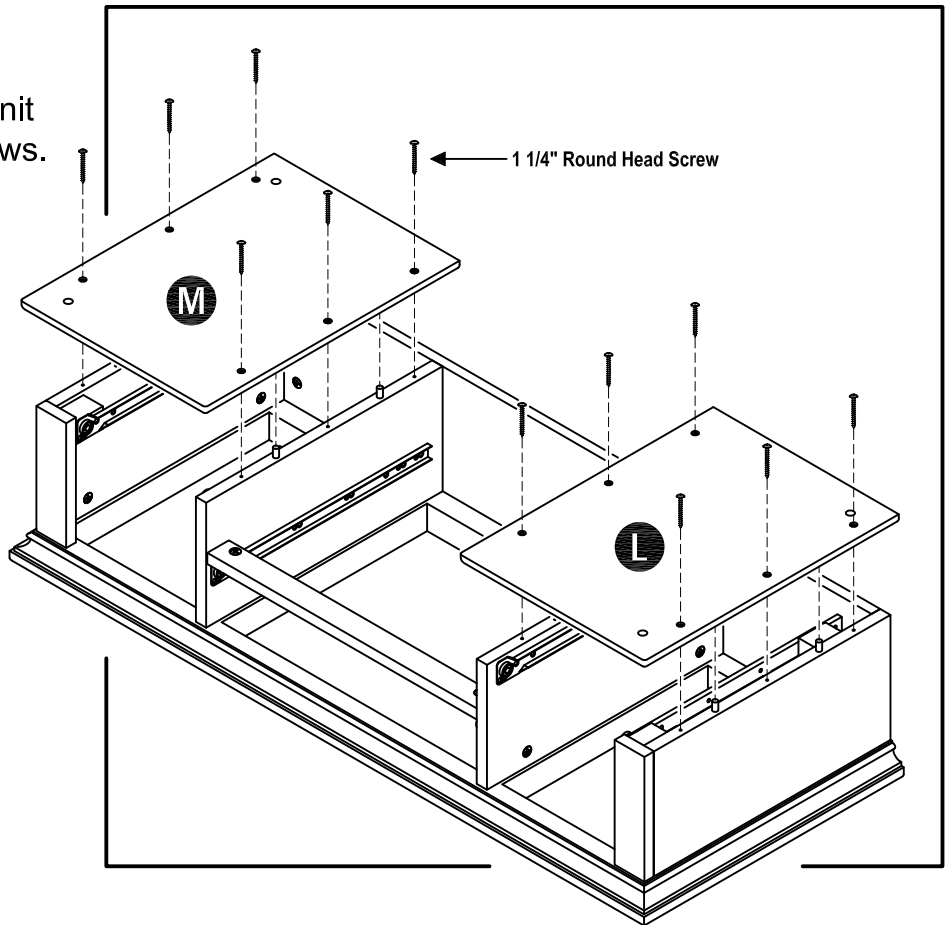
STEP 4

Attach unit to Top (F) with Cam Locks.

Assembly Instructions 4/9

STEP 5

Attach Bottom (L) and (M) to unit using 1 1/4" Round Head Screws.

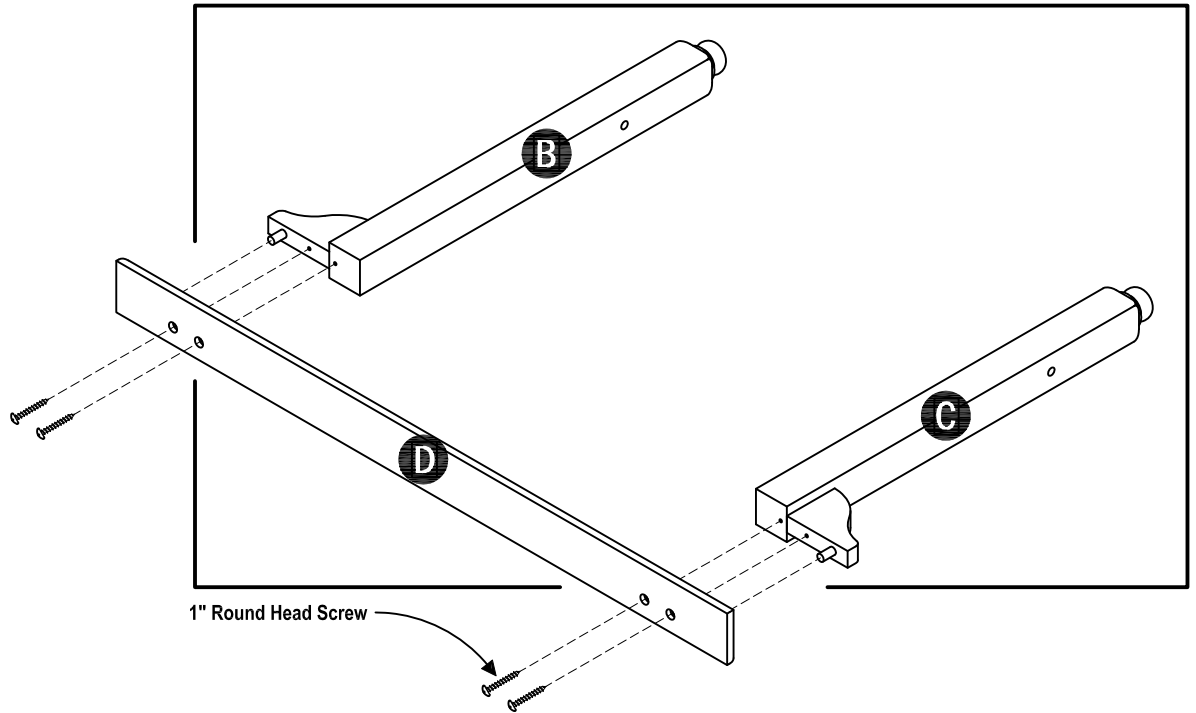


STEP 6

Attach Legs (O) to unit.

STEP 7

Attach Mirror Support (D) to Mirror Support (B) and (C) to unit using 1" Round Head Screws.



STEP 8

Attach Mirror (A) to unit using Axis Bolts, Mirror Axis and Plastic Washers.
(See figure 3)

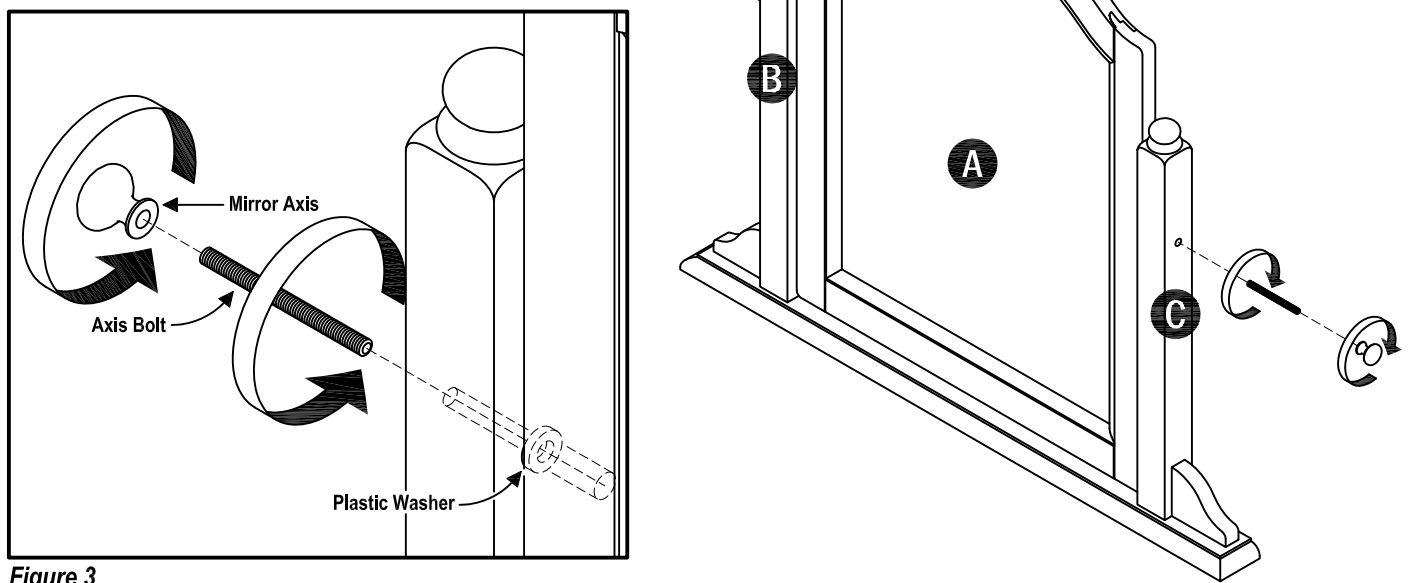


Figure 3

Assembly Instructions 6/9

STEP 9

Attach Mirror Support (B), (C) and (E) to unit using Bolts, Flat Washers and Spring Washers.

Tighten it using Hex Wrench.
(See figure 4)

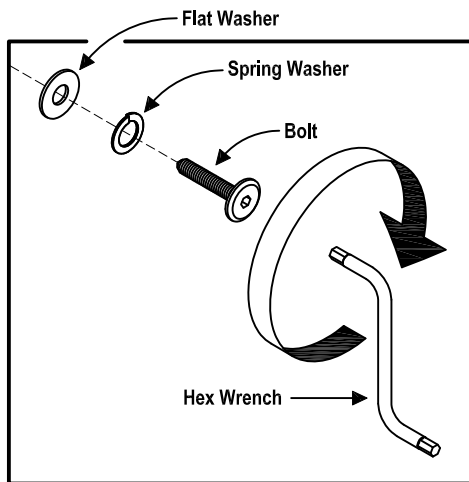


Figure 4

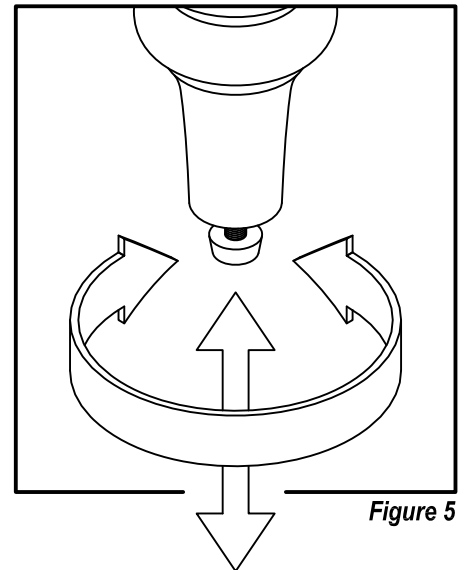
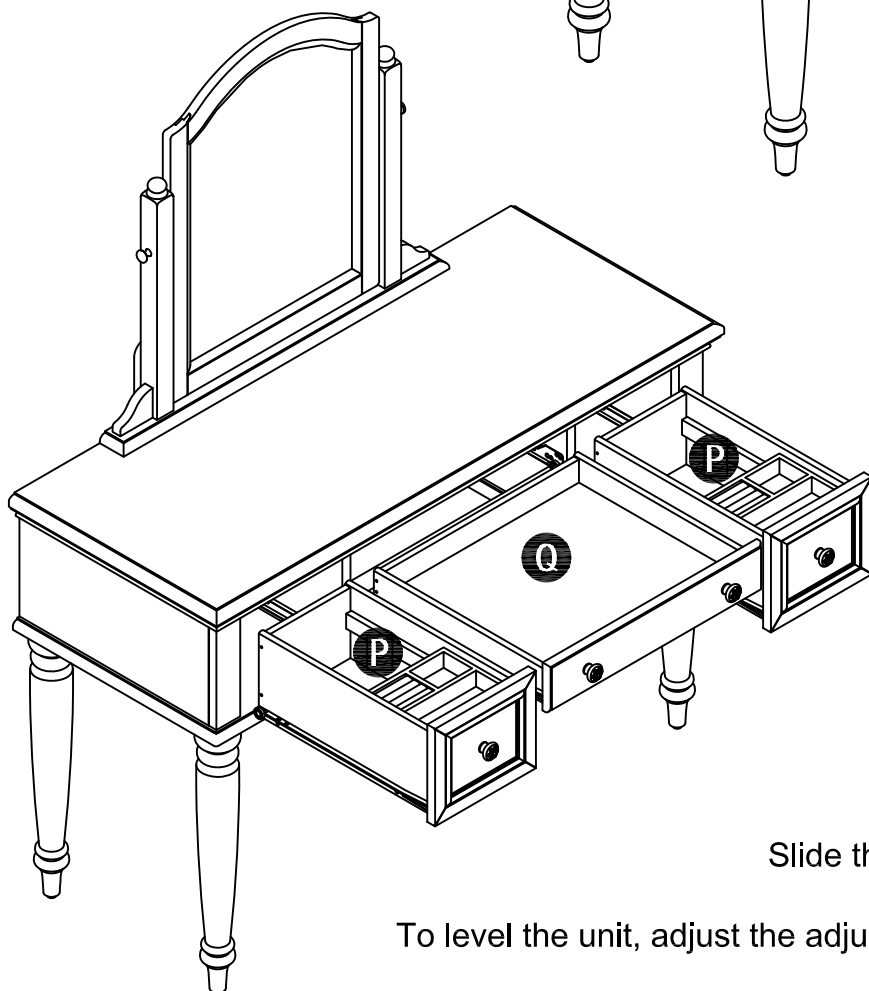
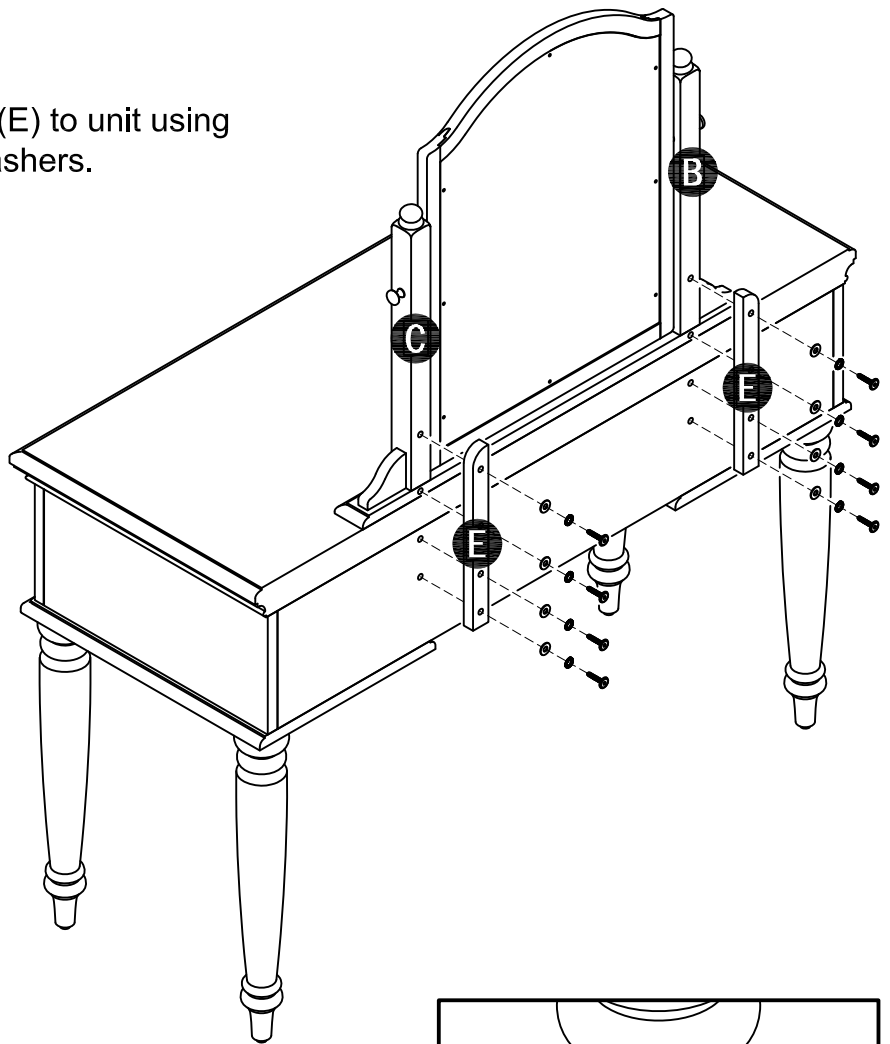


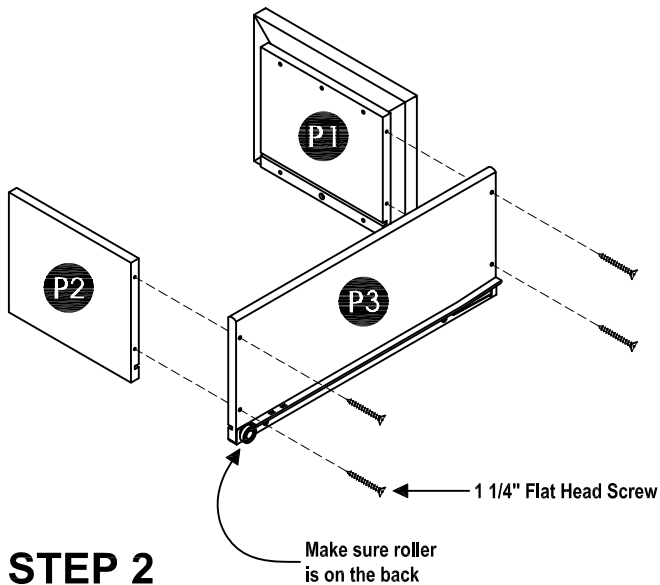
Figure 5

STEP 10

Turn the unit to its' upright position.
Slide the Drawers (P) and (Q) into position.

To level the unit, adjust the adjustable levelers on the bottom of unit.
(See figure 5)

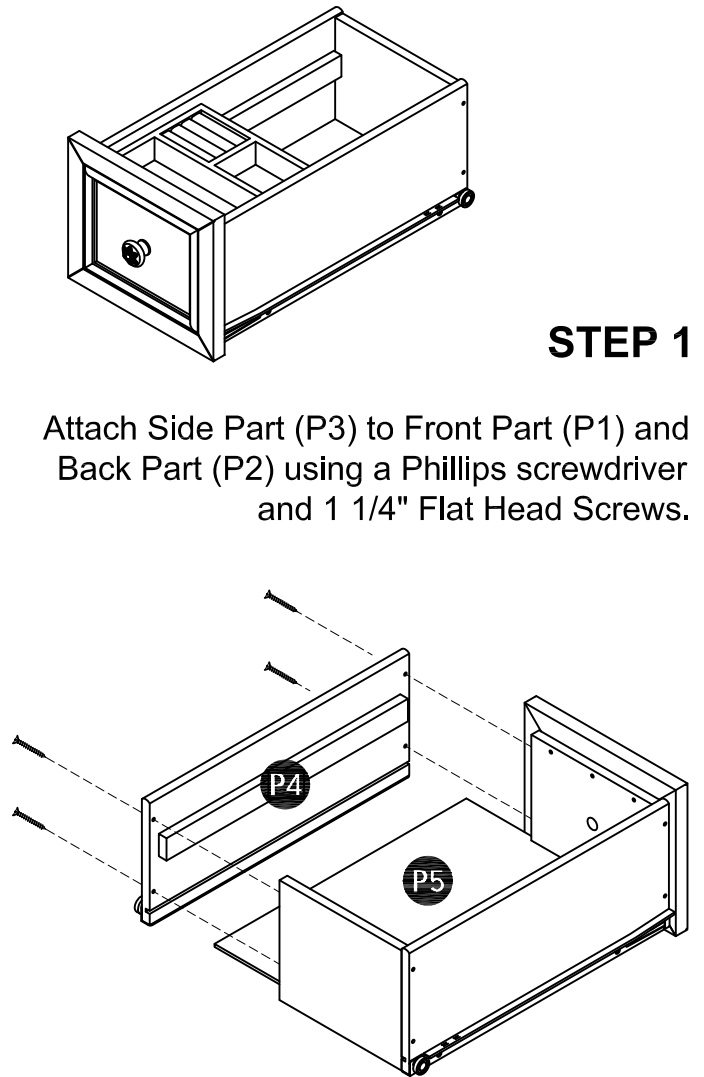
Drawer (P)



STEP 2

Insert Base Part (P5) into the groove.

Attach Side Part (P4) to Front Part (P1) and Back Part (P2) using a Phillips screwdriver and 1 1/4" Flat Head Screws.



STEP 1

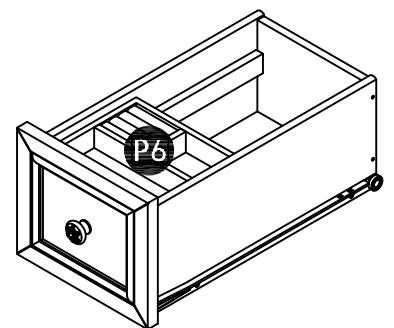
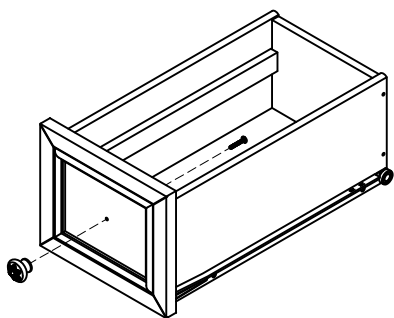
Attach Side Part (P3) to Front Part (P1) and Back Part (P2) using a Phillips screwdriver and 1 1/4" Flat Head Screws.

STEP 3

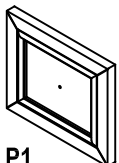
Attach Handle with Machine Screws.

STEP 4

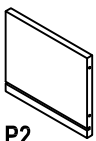
Place Jewel Box (P6) into position.



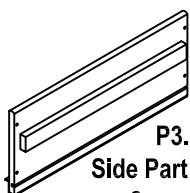
Part List



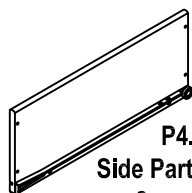
P1.
Front Part
2 pcs.



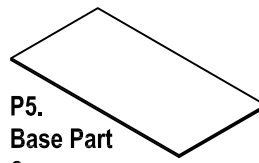
P2.
Back Part
2 pcs.



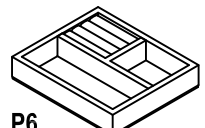
P3.
Side Part
2 pcs.



P4.
Side Part
2 pcs.

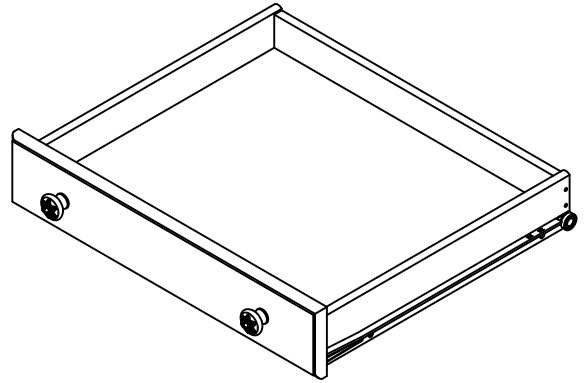
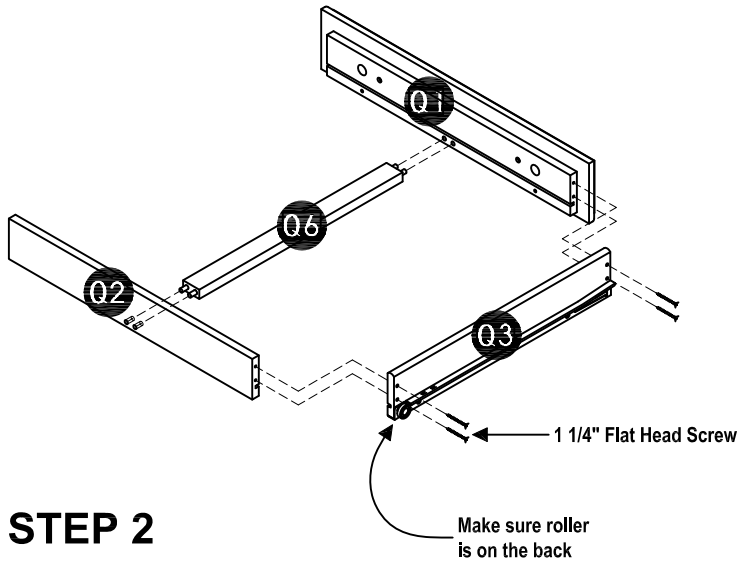


P5.
Base Part
2 pcs.



P6.
Jewel Box
2 pcs.

Drawer (Q)



STEP 1

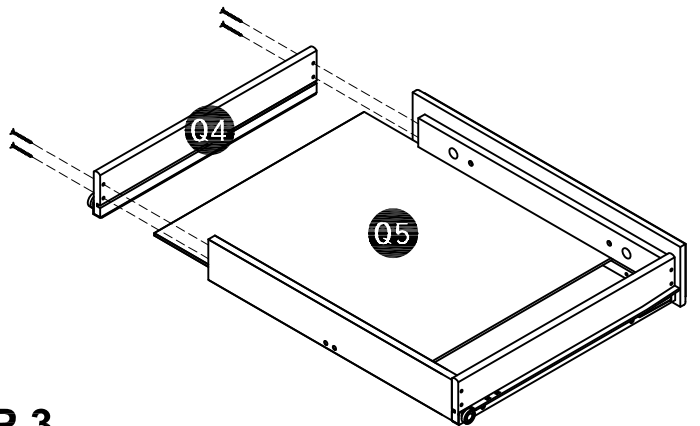
Attach Base Part (Q6) to Front Part (Q1) and Back Part (Q2).

Attach Side Part (Q3) to Front Part (Q1) and Back Part (Q2) using a Phillips screwdriver and 1 1/4" Flat Head Screws.

STEP 2

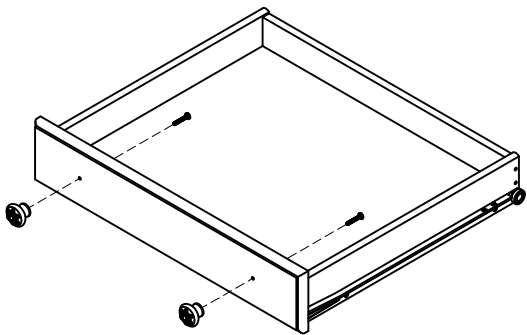
Insert Base Part (Q5) into the groove.

Attach Side Part (Q4) to Front Part (Q1) and Back Part (Q2) using a Phillips screwdriver and 1 1/4" Flat Head Screws.

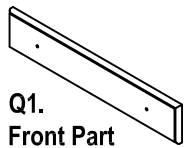


STEP 3

Attach Handles with Machine Screws.



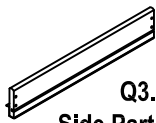
Part List



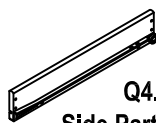
Q1.
Front Part
1 pc.



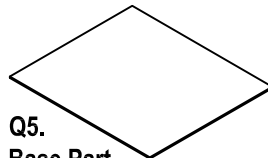
Q2.
Back Part
1 pc.



Q3.
Side Part
1 pc.



Q4.
Side Part
1 pc.



Q5.
Base Part
1 pc.

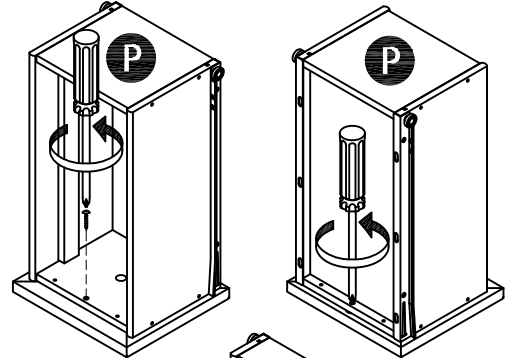


Q6.
Base Part
1 pc.

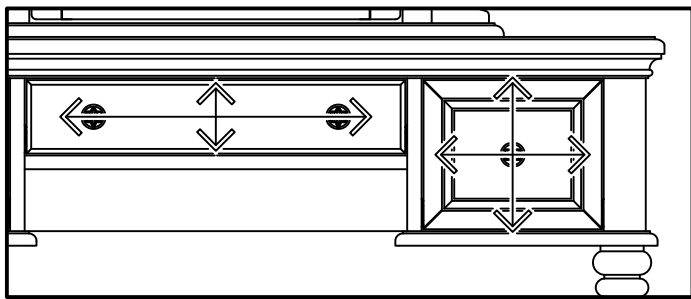
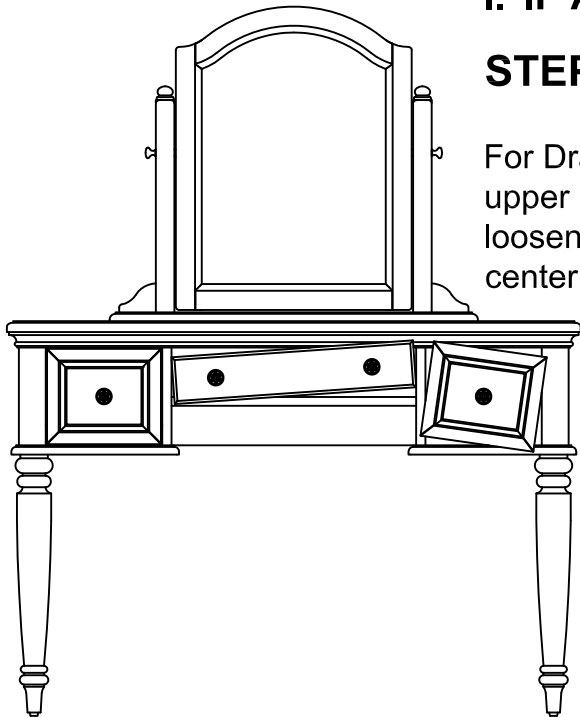
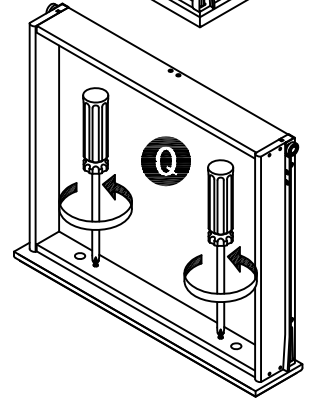
I. IF A DRAWER DOES NOT ALIGN

STEP 1

For Drawer (P) uninstall the upper center screw and loosen slightly the lower center screws.



For Drawer (Q) loosen slightly the upper screws.

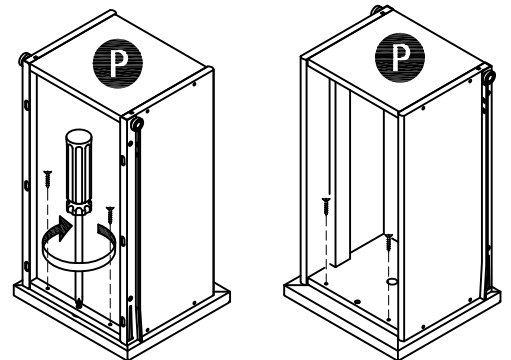


STEP 2

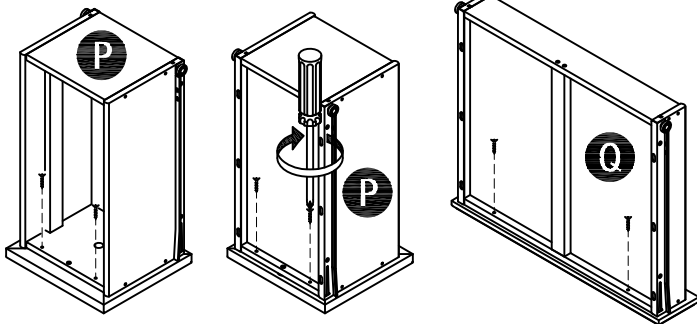
Insert the drawer into the main body, then adjust the drawer front panel left or right and up or down, until the drawer gaps look proportional.

STEP 3

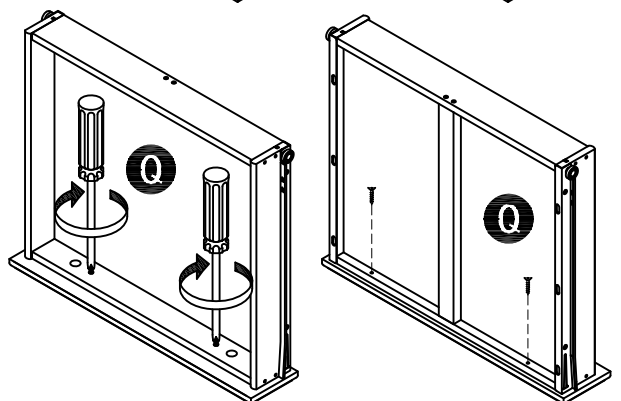
Pull the drawer open slowly and tighten the lower screw for Drawer (P) and upper screws for Drawer (Q). Make sure the front panel does not move and lock the drawer front panel into position with 3/4" Flat Head Screws.



II. IF A DRAWER ALREADY ALIGNS



Pull out drawer slowly. Lock the drawer front panel into position with 3/4" Flat Head Screws.



VERY IMPORTANT !!

CARE INSTRUCTIONS

NEVER

USE GLASS CLEANERS ON FINISHED FURNITURE. AMMONIA WILL CHEMICALLY ATTACK THE LACQUER.

NEVER

ALLOW LIQUIDS OF ANY KIND TO REMAIN ON THE FURNITURE. ABSORPTION CAUSES WOOD TO WARP AND SPLIT AND FINISHES TO DELAMINATE.

DO NOT WRITE DIRECTLY ON SURFACE.



PREVENT MARKING

DO NOT PLACE IN DIRECT SUNLIGHT.



PREVENT FADING

DO NOT USE COMMERCIAL WAXES AND POLISHES.



PREVENT YELLOWING

DO NOT PLACE HOT OBJECTS ON SURFACE.



PREVENT FINISH DAMAGE

DO NOT USE RUBBER BASED PLACE MATS.



PREVENT DISCOLORING

TO CLEAN

USE A SOFT CLOTH MOISTENED IN LEMON OIL POLISH OR LUKEWARM SOAP AND WATER, THEN BUFF WITH A DRY CLEAN CLOTH.



Home Styles will provide replacements free of charge for missing or damaged hardware or parts within 30 days of purchase. Digital images of the defective parts may be required. If this product was not purchased from an authorized retail affiliate, Home Styles is under no obligation to provide replacement parts. Parts are not available for fully assembled items nor are parts available for sale. Replacements for missing or damaged hardware or parts may be requested at:

www.homestyles-furniture.com/customer_service

Home Styles Consumer Assistance: www.homestyles-furniture.com,
servicedesk@homestyles-furniture.com, 888-680-7460, 877-831-0319