



XOVV2_KSE
WALL MOUNT HOOD

HOW BEAUTIFUL KITCHENS BREATHE

**1000
CFM**



XOVV2_KSE

- 4 Speed Electronic Control
- Powerful, Precision Balanced Blower
- High Efficiency 3000K LED Lights
- 5 Minute Delay Function

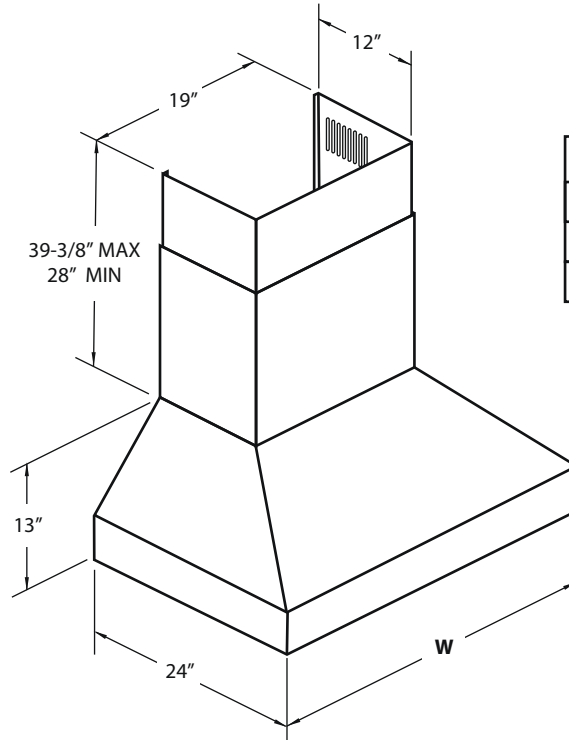
POWERFUL 1000 CFM - DESIGNED AND CRAFTED IN ITALY

The XOVV2 makes a statement with its strong profile, angled stainless steel pro baffle filters and brilliant LED lighting. With a powerful 1000 CFM blower and a 24" deep canopy it's ready to handle your most challenging ventilation requirements. Designed and fabricated in Italy for a peerless fit and finish.

At XO, we believe that a good design is something everyone can afford

WORLD CLASS SERVICE | COMPREHENSIVE WARRANTIES
OUR LASTING COMMITMENT TO YOU





MODEL	"W"
XOVV236KSE	36"
XOVV242KSE	42"
XOVV248KSE	48"



FEATURES

FINISH

Stainless Steel

FEATURES

- Powerful, Precision Balanced 1000 CFM Blower
- Pro Kitchen Depth (24") Max burner coverage
- Tilt Design Electronic 4 Speed Controls
- Powerful LED Lighting - 50% Brighter (Dimmable)
- Dishwasher Safe SS Pro Baffle Grease Filters
- 5 Minute Delay Auto Shutoff Timer
- ADA Compliant with Wireless Remote (optional)
- Telescopic Duct Cover up to 9' Ceilings
- 8" Vertical Duct
- Designed and Crafted In Italy
- Two Year In-Home Parts and Labor Warranty

PERFORMANCE

SPEED	1	2	3	BOOST
CFM	390	550	750	1000
SONES	3.0	6.2	7.0	8.0

SPECIFICATIONS

ELECTRICAL 120V 60HZ 6.6 AMP

DIMENSIONS

H MAX 39-3/8" - MIN 28"

W 36" - 42" - 48"

D 24"

(Refer to illustration above)

MOUNTING HEIGHT

ABOVE COOKING 27" - 32"

OPTIONS

8" Make-Up Air Kit

XOMA08

ADA Compatible Remote

XOVREMOTE1

RECOMMENDED MOUNTING HEIGHT

All range hoods have a recommended range of installation height over the cooking surface. However cooking styles, types of cooking equipment and installation limitation can vary greatly. For installations outside the recommended range - consult XO.

THESE MODELS HAVE A 8" DIAMETER EXHAUST DUCT WHICH MAY BE CONFIGURED FOR TOP DUCTING ONLY - CONSULT MANUAL FOR ADDITIONAL INFORMATION.

MAKE-UP AIR

Many states have adopted regulations regarding the re-introduction of make-up air for homes with ventilation systems which can exhaust more than a specified volume of air, typically 400 CFM.

Your cooking equipment and use determine how much ventilation you need. If your local building codes require a make-up air solution based on that need, XO has the answer.

XOMA MAKE-UP AIR KITS

Make-Up Air Kits consist of two parts.

1. A sensor collar which is mounted in the exhaust duct of the hood. This contains a feather switch that is activated when air flow is detected in the duct.



2. A motorized air inlet damper which is usually mounted to the home's HVAC system.

When it receives a signal from the sensor collar, the damper automatically opens to admit fresh air which is distributed via the HVAC system.

When the blower shuts off, the feather switch returns to the off position and the motorized damper is deactivated. The air inlet damper is automatically closed by a return spring.

