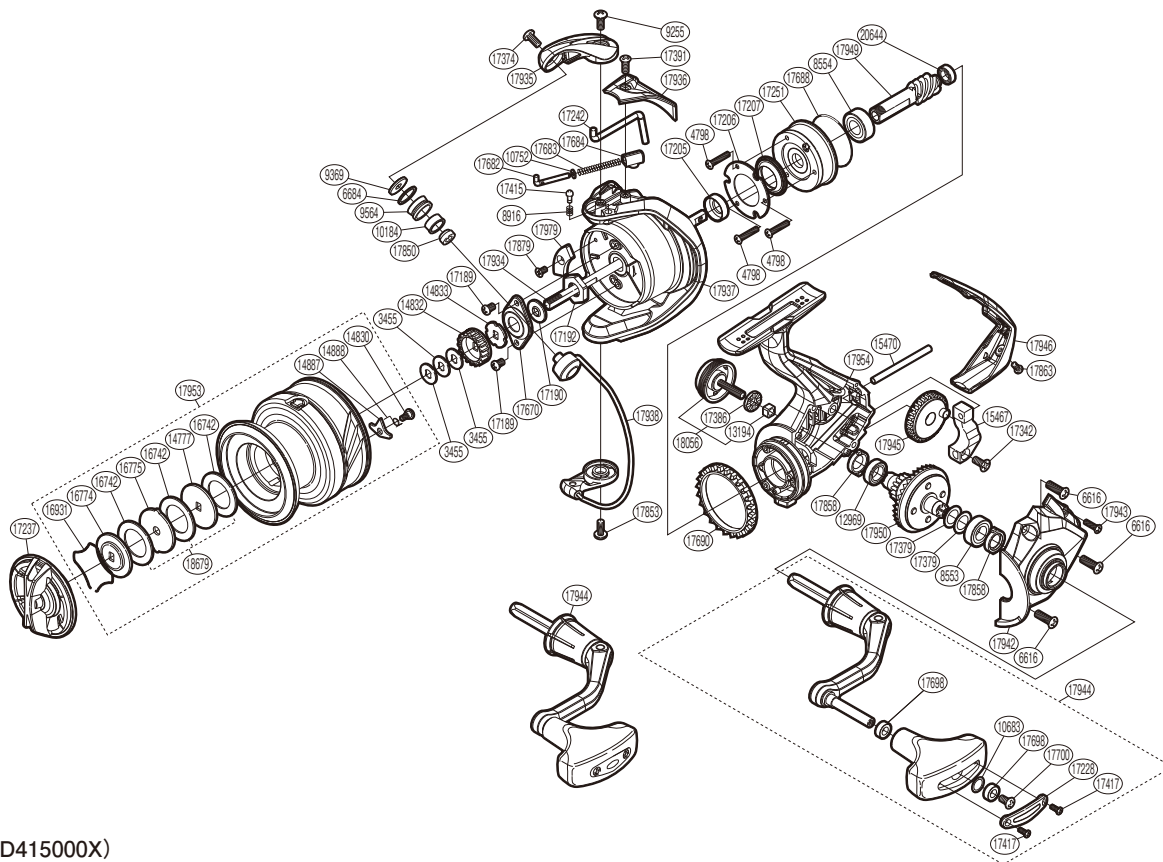


SHIMANO

NASCI

NAS-C5000XGFB



(51SD415000X)

#	Part No.	Description	#	Part No.	Description	#	Part No.	Description
3455	10BXN	Spool Washer	16775	102ZD	Eared Washer	17698	10PXZ	Handle Knob Bushing
4798	103C6	Screw	16931	10B8N	Drag Washers Retainer	17700	10LFA	Screw
6616	10M73	Screw	17189	10PMC	Screw	17850	1020X	Line Roller Collar
6684	10KFD	Line Roller Spacer	17190	107L4	Bearing Water Proof	17853	10LFH	Screw
8553	107AT	Ball Bearing	17192	1067Y	Rotor Nut	17858	10DMT	Bearing Water Proof
8554	107FE	Ball Bearing	17205	10JHG	Rotor Ring	17863	10LCS	Screw
8916	10CH0	Click Spring	17206	10L62	Roller Clutch Reinforce	17879	10LA3	Screw
9255	10LHX	Screw	17207	10MH6	Roller Clutch Water Proof	17934	101SZ	Main Shaft
9369	10PFP	Washer	17228	108X5	Handle Knob I.d. Plate	17935	101GZ	Bail Arm
9564	10JLE	Line Roller	17237	10H03	Drag Knob	17936	101T5	Bail Spring Cover
10184	10PFH	Line Roller Bushing	17242	106P4	Bail Trip Lever	17937	10203	Rotor
10683	10HTT	Washer	17251	10QPN	Roller Clutch Assembly	17938	1020J	Bail Assembly
10752	10TYE	Bail Spring Guide A Support	17342	10ML7	Screw	17942	1022Y	Side Cover
12969	107FA	Ball Bearing	17374	10K90	Screw	17943	10LPL	Screw
13194	104NX	Handle Screw Lock	17379	10GR3	Washer	17944	101RP	Handle Assembly
14777	10QBT	Key Washer	17386	10J6B	Handle Screw Cap Spacer	17945	101SX	Oscillating Gear
14830	10PH5	Screw	17391	10LFK	Screw	17946	101SM	Rear Protector
14832	103MU	Spool Support A	17415	106ZC	Click Pin	17949	101SV	Pinion Gear
14833	10J04	Spool Support B	17417	10L1T	Screw	17950	101RK	Drive Gear
14887	1038D	Drag Click	17670	10TRH	Rotor Nut Lock Plate	17953	101FL	Spool Assembly
14888	10JM5	Click Spring	17682	1061L	Bail Spring Guide A	17954	101YK	Body
15467	10G7E	Oscillating Slider	17683	105R6	Bail Spring	17979	106GA	Counter Weight A
15470	1035B	Oscillating Guide	17684	107AB	Bail Spring Seat	18056	10283	Handle Screw Cap
16742	10C1A	Drag Washer	17688	10MLU	O Ring	18679	10SAE	Washer
16774	10BCE	Key Washer	17690	104FV	Friction Ring	20644	10RKR	Ball Bearing

Please note that the number of adjusting washers may not be the same as shown in the exploded views.
(Adjustment will vary with each individual product.)

(240624)_008