

SIDES

BOTTOM

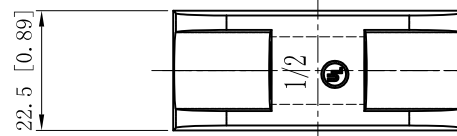
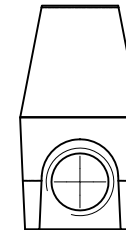
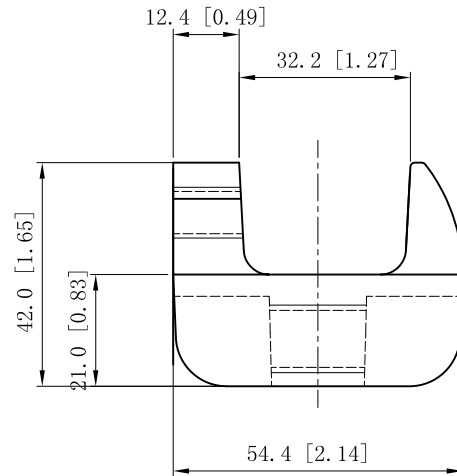
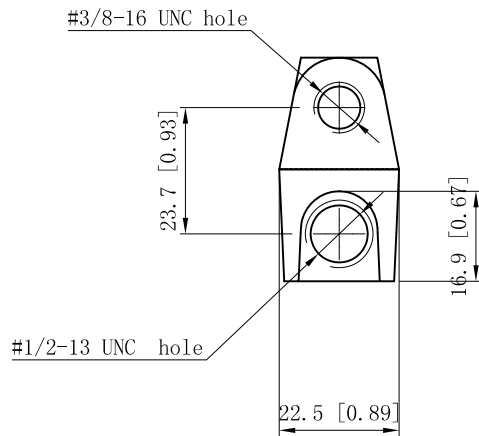
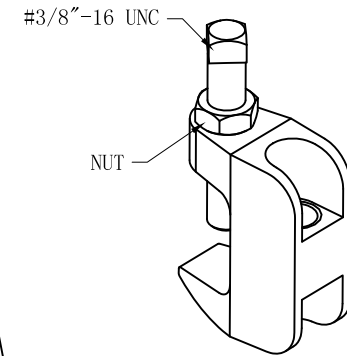
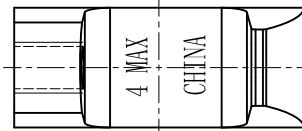
UL File #

E332115

1 PCS 3/8-16×2 Screws Installed

1 PCS 3/8-16 Nut Installed

Material:Steel-Malleable Lron 32510 Sandblast



This data sheet is for reference only .GARVIN INDUSTRIES reserves the right to make changes to the design without prior notice.

DESCRIPTION
TRADE REFERENCE TERMS

STANDARD PACKING	<h1 style="text-align: center;">GARVIN INDUSTRIES</h1> <h2 style="text-align: center;">PIPE-FITTERS TOP BEAM CLAMP</h2>			
25/250 PCS				
	TITLE	SIZE	DWG NO.	REV
		A4	MFC-1213	
	DATA SHEET			