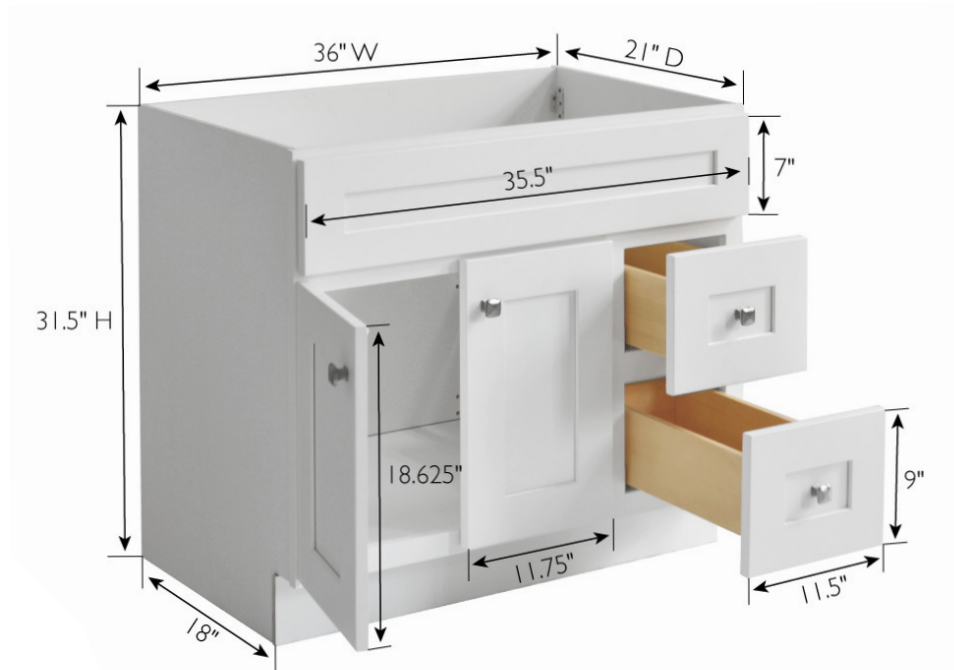


Brookings Unassembled 2-Door 2-Drawer Vanity 36x31.5x21
White



SPECIFICATIONS

MATERIAL CONSTRUCTION:	Wood
ASSEMBLY REQUIRED:	Yes
TOOLS NEEDED FOR ASSEMBLY:	Phillips Screwdriver, Rubber Mallet, Wood Glue
ASSEMBLED DIMENSIONS:	31.5" H x 36" L x 21.73" D
ASSEMBLED WEIGHT:	85.36 lbs.
HINGE STYLE:	Concealed
DOOR STYLE:	2 Shaker Doors
DRAWER STYLE:	2 Drawers
GLIDE STYLE:	STD Easy Glide
FAKE DWR STYLE:	N/A
DWR DIMENSIONS:	5.12" H x 8.31" L x 17.99" D
DWR CONSTRUCTION:	Dove Tail
SHELF STYLE:	N/A
SHELF ADJUSTABILITY INCREMENTS:	N/A
SHELF MAX WEIGHT CAPACITY:	N/A
SHELF DIMENSIONS:	N/A
SHELF THICKNESS:	N/A
SHELF MATERIAL:	N/A

FRAME STYLE:	Face Frame
FACE FRAME MATERIAL:	Solid Wood
SIDES MATERIAL:	Plywood
BOTTOM MATERIAL:	Plywood
TOE KICK INSET WIDTH:	3"
BACK PANEL MATERIAL:	Plywood
BACK BRACE MATERIAL:	Solid Wood



WARRANTY:	1-Year limited warranty
TITLE IV COMPLIANT:	Yes
PROP 65 HARMFUL MATERIAL:	Formaldehyde



TYPE:
JOB:
ORDER CODE:
APPROVALS: