

AXOR Montreux
Rough, 2-Handle Freestanding Tub Filler
Finishes : n.a. Part no. : 16549181



Description

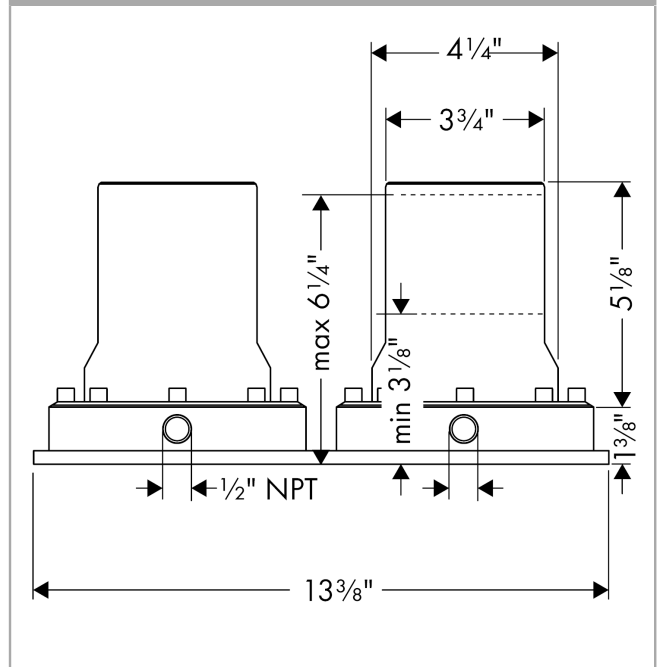
Features

- 1/2" NPT

Product image



Scale drawing

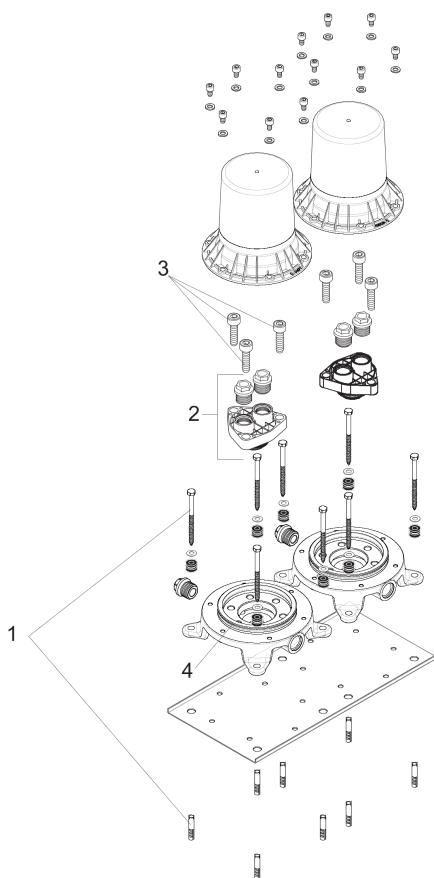


AXOR Montreux
Rough, 2-Handle Freestanding Tub Filler
Finishes : n.a. Part no. : 16549181



Exploded drawing

Year of production: >06/06



AXOR Montreux
Rough, 2-Handle Freestanding Tub Filler
 Finishes : n.a. Part no. : **16549181**



Spare parts list

Year of production: >06/06

Pos.	Description	Part no.	PC	PU
1	mounting kit	96260000	0	1
2	sealing set	96459000	0	1
3	hexagon socket screw M10x35	97670000	0	1
4	O-ring 99x3,5	92154000	0	1
a	hexagon socket screw M6x10	92847000	0	1