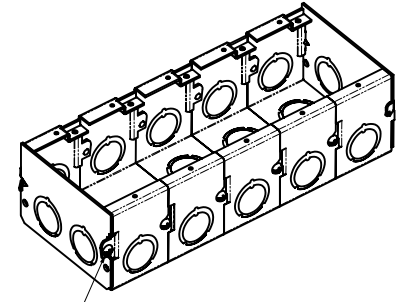
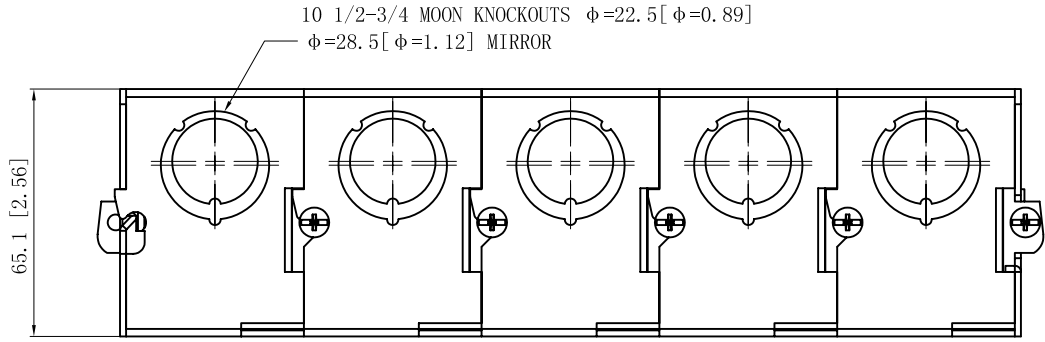
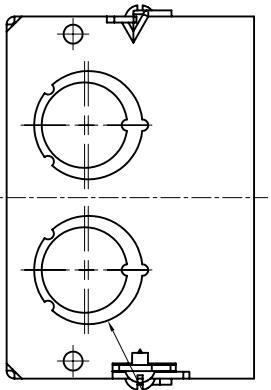
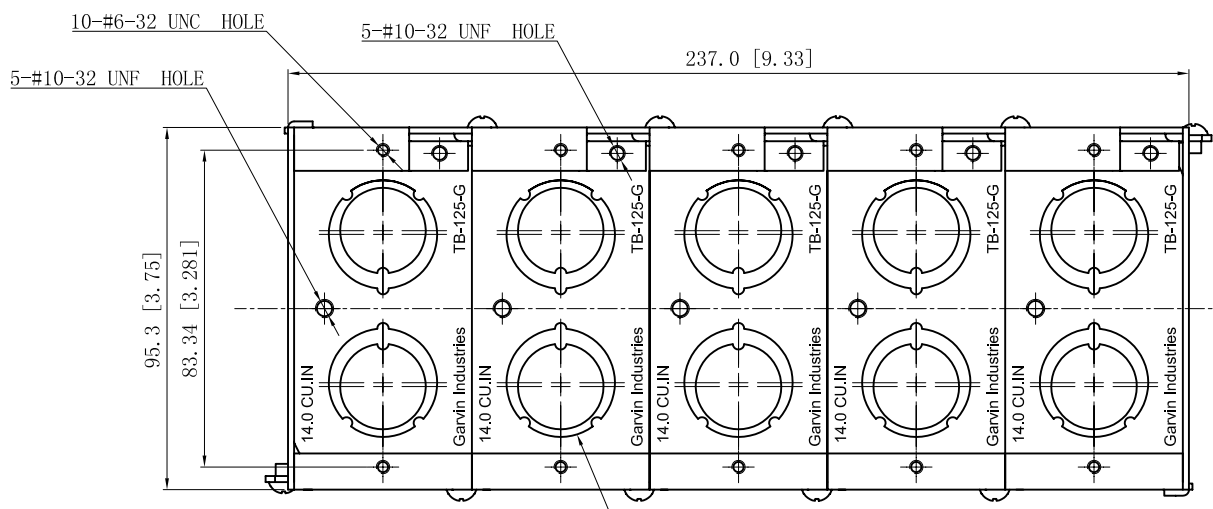


SIDES	BOTTOM
14 1/2"-3/4" MOON KNOCKOUTS	10 1/2"-3/4" MOON KNOCKOUTS
10 PCS 8-32×1/4 Screws Installed	
Material: Steel-0.0625"-G60 Galvanized	

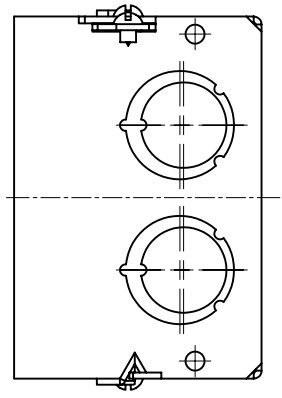


#8-32, × 10



4 1/2-3/4 MOON KNOCKOUTS $\phi=22.5$ [$\phi=0.89$]
 $\phi=28.5$ [$\phi=1.12$] MIRROR

10 1/2-3/4 MOON KNOCKOUTS $\phi=22.5$ [$\phi=0.89$]
 $\phi=28.5$ [$\phi=1.12$] MIRROR



DESCRIPTION
TRADE REFERENCE TERMS

This data sheet is for reference only .GARVIN INDUSTRIES reserves the right to make changes to the design without prior notice.

STANDARD PACKING	GARVIN INDUSTRIES		
	GANGABLE MASONRY BOX 2-1/2" DEEP		
5 PCS	SIZE	DWG NO.	REV
	A4	TB-525-G	B
DATA SHEET			