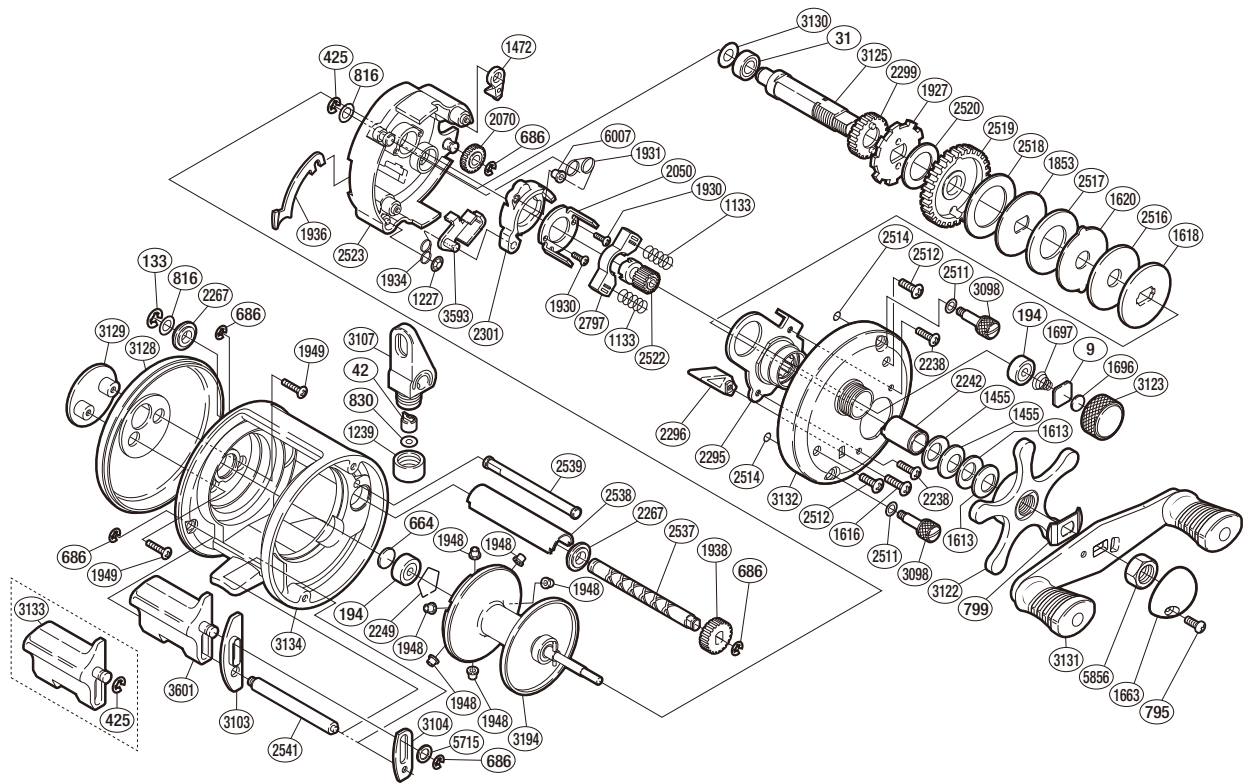


SHIMANO

CORVALUS

CVL-300



(51RH560300U)

#	Part No.	Description	#	Part No.	Description	#	Part No.	Description
9	105N0	Spacer	1930	103NH	Screw	2523	10P6F	Set Plate
31	105BL	Ball Bearing	1931	10N1M	Retractor Spring	2537	10HT8	Worm Shaft
42	10FFZ	Line Guide Pawl	1934	10N20	Clutch Pawl Spring	2538	10HVH	Level Wind Guard
133	105NJ	E Lock	1936	10GB3	Clutch Plate	2539	10HW7	Stabilizer Bar
194	105BX	Ball Bearing	1938	10BJ1	Idle Gear C	2541	10N4X	Clutch Button Support Bar
425	105NE	E Lock	1948	10AH2	Brake Collar	2797	10N1H	Yoke
664	1057S	Spacer B	1949	10LSR	Screw	3098	106BK	Side Plate Nut
686	105NK	E Lock	2050	10MB9	Clutch Cam Retainer	3103	10GDM	Clutch Button Guide A
795	10QG1	Screw	2070	105GZ	Idle Gear B	3104	10GB9	Clutch Button Guide B
799	107QJ	Friction Washer	2238	10LF8	Screw	3107	10KCG	Line Guide
816	109F6	Washer	2242	10MAR	Roller Clutch Inner Tube	3122	1082M	Star Drag
830	10CFX	Spacer	2249	10548	Bearing Retainer	3123	106BS	Cast Control Cap
1133	104BL	Yoke Spring	2267	10HT2	Worm Bushing B	3125	10MFV	Drive Shaft
1227	109H9	Push Nut (SPN-2)	2295	10NZC	Roller Clutch Assembly	3128	104TJ	Left Side Plate
1239	10BHU	Pawl Cap	2296	10M5Q	Return Pin Guide	3129	10LH2	Side I.D. Plate
1455	1052E	Drag Spring Washer H	2299	10AQ9	Idle Gear A	3130	10HV5	Washer
1472	10P1Y	Anti-Reverse Pawl	2301	10LYN	Clutch Cam	3131	10B13	Handle Assembly
1613	10EW3	Drag Spring Washer L	2511	10KF8	Washer	3132	10AUT	Right Side Plate
1616	103GV	Screw	2512	10LFB	Screw	3134	10LKP	One-piece Frame
1618	10D4K	Key Washer C	2514	10MB6	O Ring	3194	10KEU	Spool Assembly
1620	10D48	Eared Washer	2516	10CJG	Drag Washer AG	3593	10NZH	Clutch Pawl
1663	10QBF	Handle Nut Plate	2517	1072B	Drag Washer CG	3601	10TZJ	Quick-Fire II Clutch Bar
1696	10896	Spacer	2518	10D2S	Drag Washer BG	5715	10G6D	Washer
1697	10BRB	Spool Tension Spring	2519	109D7	Drive Gear	5856	10LM8	Handle Nut
1853	10D47	Key Washer A	2520	10D2M	Drive Shaft Washer B	6007	10F23	Retractor Spring Collar
1927	109BE	Anti-Reverse Ratchet	2522	10AH9	Pinion Gear			

Please note that the number of adjusting washers may not be the same as shown in the exploded views.
(Adjustment will vary with each individual product.)

(230809)_006