

AXOR Starck
Handshower Holder
Finishes : **brushed nickel** Part no. : **27515820**



Description

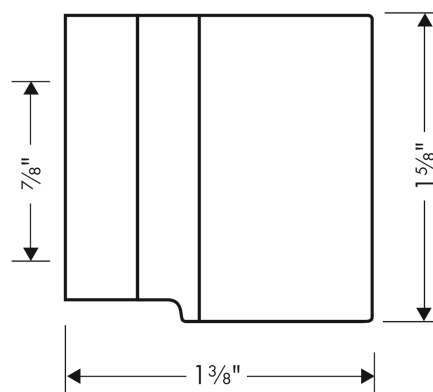
Features

- Must be used with hose with cylindrical nut
- Wall-mounted

Product image



Scale drawing

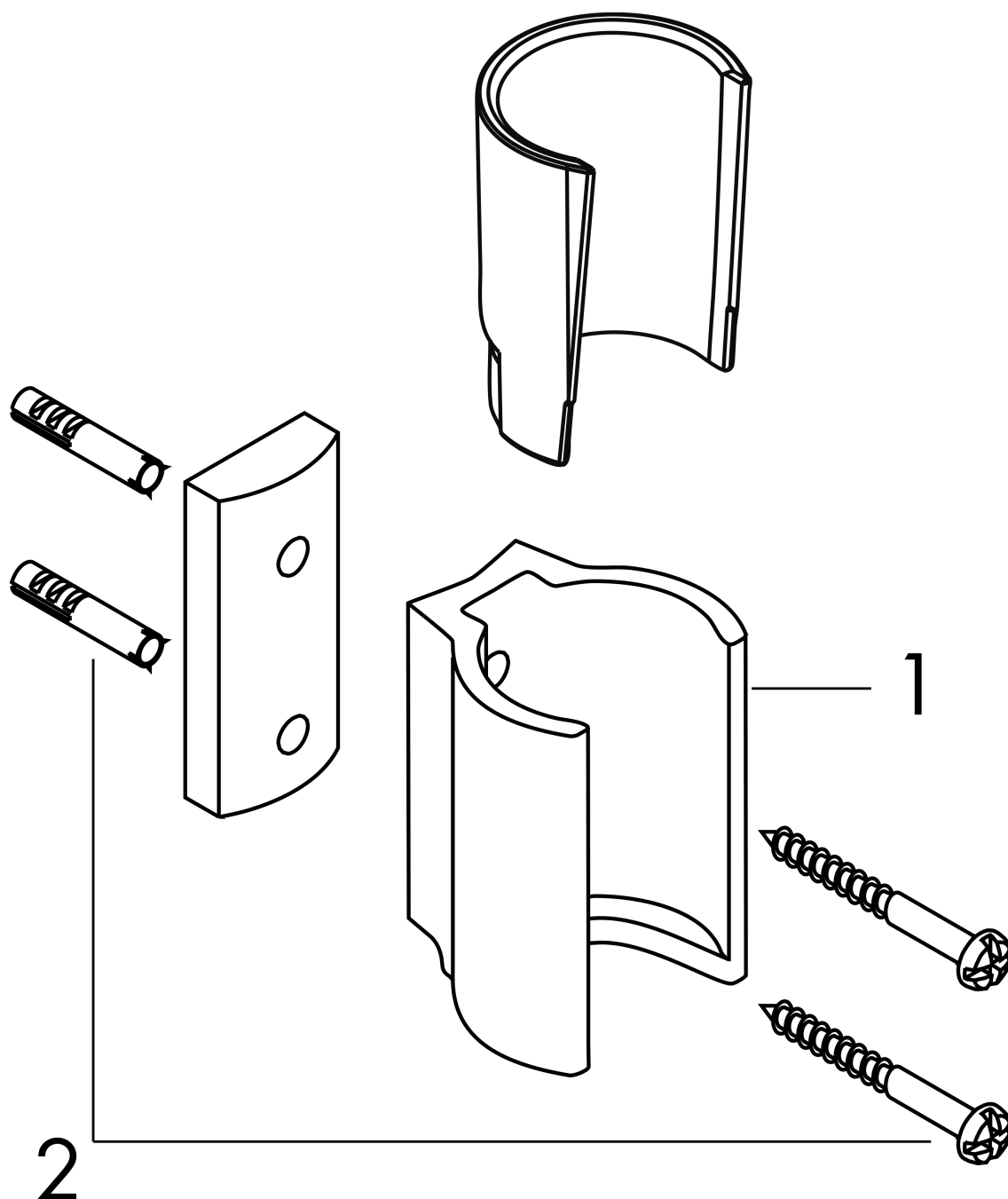


AXOR Starck
Handshower Holder
Finishes : **brushed nickel** Part no. : **27515820**



Exploded drawing

Year of production: >11/16



AXOR Starck
Handshower Holder
 Finishes : **brushed nickel** Part no. : **27515820**



Spare parts list

Year of production: >11/16

Pos.	Description	Part no.	PC	PU
1	shower holder, assy	96295820	0	1
2	mounting set	96179000	0	1