

**BOSS**<sup>®</sup>  
AUDIO SYSTEMS

 Bluetooth<sup>®</sup>

# PHANTOM 800

USER'S MANUAL

BLUETOOTH<sup>®</sup> | 3" (76 mm) WEATHER RATED BLACK SPEAKERS

FEATURING BUILT-IN AMPLIFIER SYSTEM



## **Congratulations**

**On your new purchase of a Phantom800 amplified speaker system. It has been designed, engineered and manufactured to bring you the highest level of performance and quality, for years of listening pleasure.**

**Thank you  
For making Boss Audio Systems your choice  
for motorcycle audio entertainment.**

**Please read through these instructions carefully so you will know how to operate your speaker properly. After you have finished reading this instructions, keep this document in a safe place for future reference.**



## Contents

|                                    |       |
|------------------------------------|-------|
| Phantom800 speakers w/clamps ..... | 2 pcs |
| Mounting inserts:                  |       |
| 1" diameter ( installed ) .....    | 4 pcs |
| 1.25 " diameter .....              | 4 pcs |
| 1.5 " diameter .....               | 4 pcs |
| 5mm Hex wrench .....               | 1 pc  |
| 6mm Hex wrench .....               | 1 pc  |

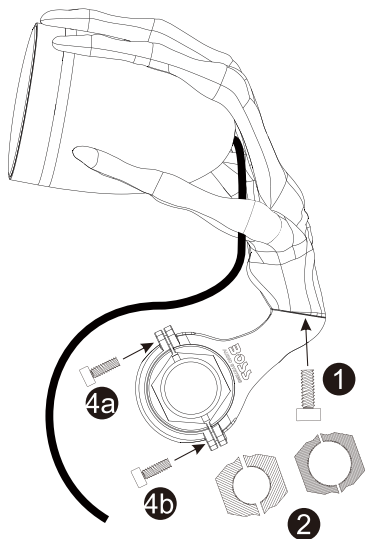
## Features

Your new Phantom800 speakers feature the following:

- 3.5mm audio input
- Adjustable speaker clamps
- Weatherproof volume control
- Weatherproof speakers
- Bluetooth audio streaming
- Built-in class D amplifier

### Installation / Mounting

1. Adjust the direction of the speaker and screw the bracket to the bottom of the speaker.
2. Select the rubber inserts that fit your mounting bar and place them into the brackets.
3. Find a safe, ideal mounting location and fit the clamps over the chosen bars.
4. Fasten the mounting screws after you review the safety of the mounting location.



### Reminder

- The components and wiring should not be installed around any moving parts, keep away from ignition parts, fuel lines, or any hot exhaust components.
- Speakers should not be installed where they might inhibit safety features on the vehicle ( i.e. lights, horns, brake levers, etc.).

# Phantom800 Motorcycle / UTV Amplified Speakers

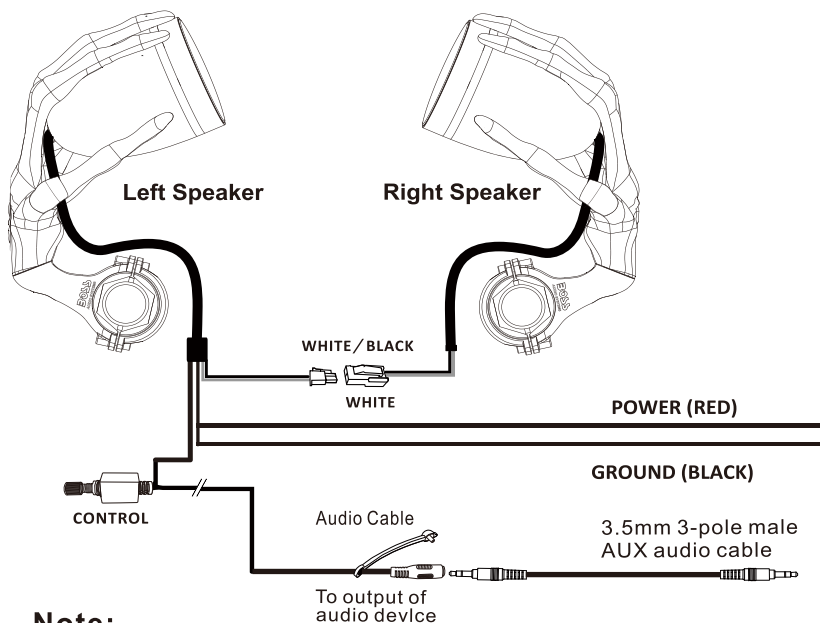
## Power Supply Connection

### Option A

Connected to Battery through a  
12 VDC SPDT Relay  
(Single Pole Double Throw)  
NOT INCLUDED, SOLD SEPARATELY

### Option B

Connected to Battery through a  
Waterproof Switch (250V AC/6A)  
NOT INCLUDED, SOLD SEPARATELY

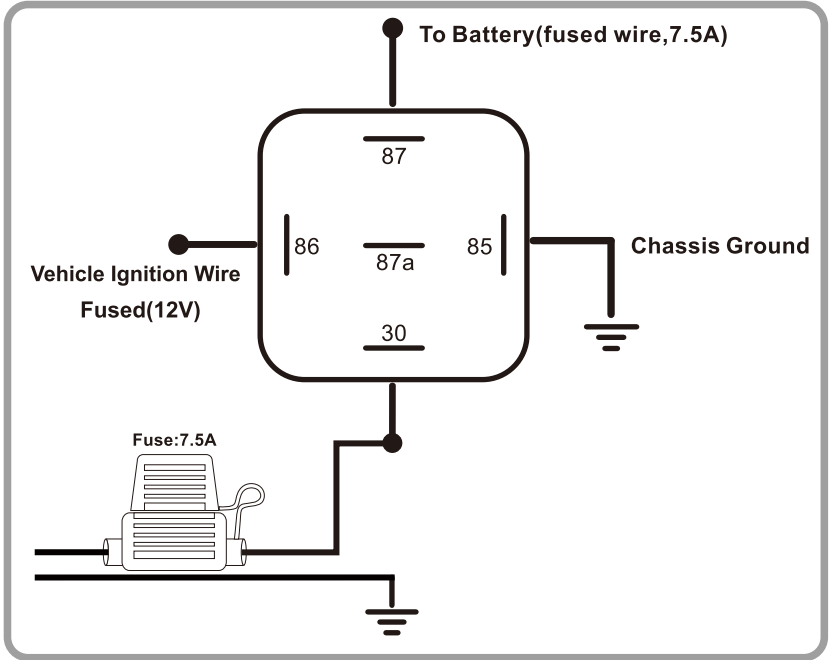


### Note:

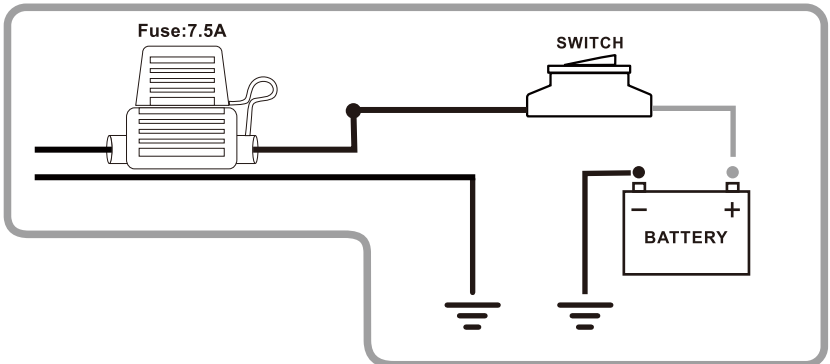
1. AUX 3.5 female input connector for output of other audio device like mobile phone, MP3, iPod and so on.
2. Should use standard 3.5mm 3-pole male plug AUX cable (not included).
3. Stop BT connection first when using the 3.5mm AUX input as an audio source input.

# Phantom800 Motorcycle / UTV Amplified Speakers

## Option A (Relay)



## Option B (Switch)



## Wiring

1. Be sure to run the wiring securely and far away from any moving components.
2. Connect the power cable to the power source. You will need to connect the 12V red wire to a fused 7.5A (not included) switched power source.
3. Use the 3.5mm stereo jack to connect to your source of music (MP3 player, mobile device, etc.).
4. Use your player device and wired remote volume controller to control the volume.

## Bluetooth Connection



1. Go into the Settings Menu of your mobile device.
2. Enter the Bluetooth menu.
3. Search for and select “ Boss Audio Phantom ” from the available devices.
4. If prompted, enter passcode “0000”.

### Specifications

|                                  |                        |
|----------------------------------|------------------------|
| Total harmonic distortion: ----- | < 0.1%                 |
| Signal-to-noise: -----           | > 75 dB                |
| Channel separation: -----        | > 50 dB                |
| Frequency response: -----        | 50Hz - 20 KHz          |
| Input sensitivity: -----         | Max 400 mv             |
| Speaker wires: -----             | 3.3'                   |
| Volume control wires: -----      | 4.9'                   |
| Audio input cable: -----         | 0.8'                   |
| Power cable: -----               | 3.3'                   |
| Mounting diameter: -----         | 1", 1.25", 1.5" only   |
| Dimensions: HxDxW -----          | 11.46" x 6.38" x 4.77" |
| Unit weight: -----               | 5.22lbs / 2.37 kg      |

Specification subject to change without notice.

### Trouble shooting

| <u>SYMPTOM</u>                 | <u>SOLUTION</u>              |
|--------------------------------|------------------------------|
| No sound -----                 | Unit or Device is MUTED      |
| Audio is distorted -----       | Bluetooth is out of range    |
| No Power-on tone -----         | Check fuse or wiring         |
| Bluetooth not connecting ----- | Switch off power for 10 secs |





EN

## NOTES

QUICK USER'S GUIDE



---

---

---

---

---

---

---

---

---

---

---

---

---

---

---

---

---

---

---

---

---

---

---

---

---

---

All rights reserved. No part of this publication may be reproduced, distributed, or transmitted in any form or by any means, including photocopying, recording, or other electronic or mechanical methods, without the prior written permission of BOSS AUDIO SYSTEMS.

Copyright © 2021 BOSS AUDIO SYSTEMS.

**BOSS**<sup>®</sup>  
AUDIO SYSTEMS



BOSS Audio Systems  
3451 Lunar Court • Oxnard, CA 93030  
[www.bosssaudio.com](http://www.bosssaudio.com)  
805-751-4853 Customer Service  
Tech Support: [www.bosssaudio.com/support](http://www.bosssaudio.com/support)



0821

The Bluetooth® word mark and logos are registered trademarks owned by Bluetooth SIG, Inc. and any use of such marks by BOSS Audio Systems is under license. Other trademarks and trade names are those of their respective owners.