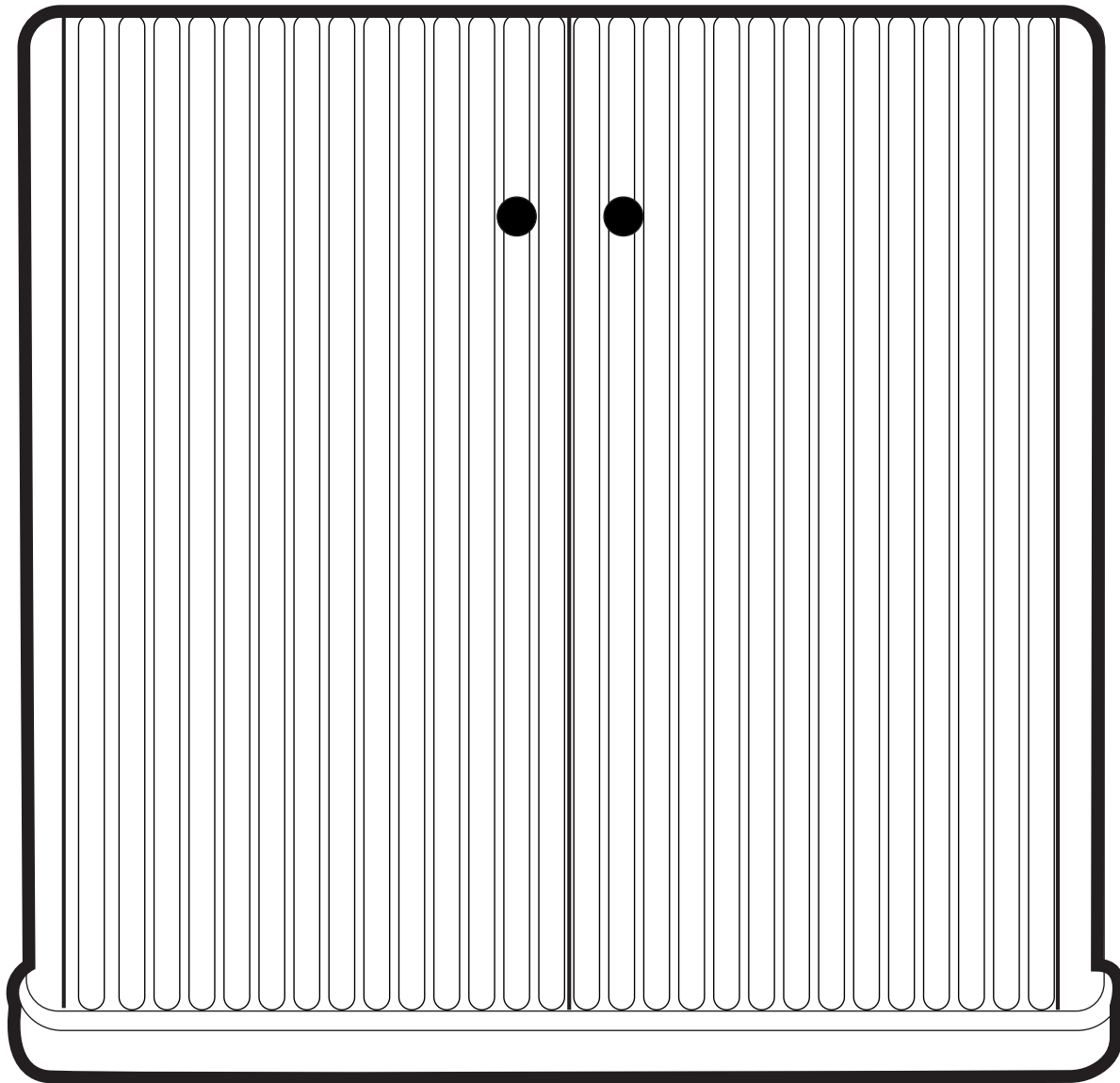


# Freestanding Vanity

## INSTALLATION INSTRUCTIONS





## PRIOR TO INSTALLATION:

- Inspect product to ensure no damages have occurred while in shipping.
- Observe all plumbing and building codes in accordance with your state and local requirements.
- All dimensions are nominal! Be sure to measure your vanity prior to installation.
- The step-by-step guidelines in the installation instructions are a general reference. Should there be any discrepancies, Swiss Madison cannot be held liable. It is recommended to install all Swiss Madison products by hiring a licensed professional.
- Read installation and maintenance instructions thoroughly before installing. Be sure to use proper tools and always wear proper personal safety accessories for your protection.

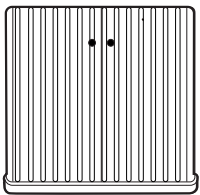
## QUESTIONS OR CONCERNS?

Please contact us:

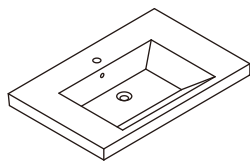
1-434-623-4766

info@swissmadison.com

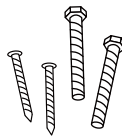
## INCLUDED PARTS:



Vanity Base



Vanity Sink



Hardware

## SUGGESTED TOOLS & MATERIALS:



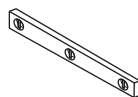
Safety Glasses



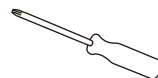
Gloves



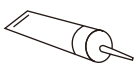
Drop Cloth



Level



Screwdrivers



Adhesive



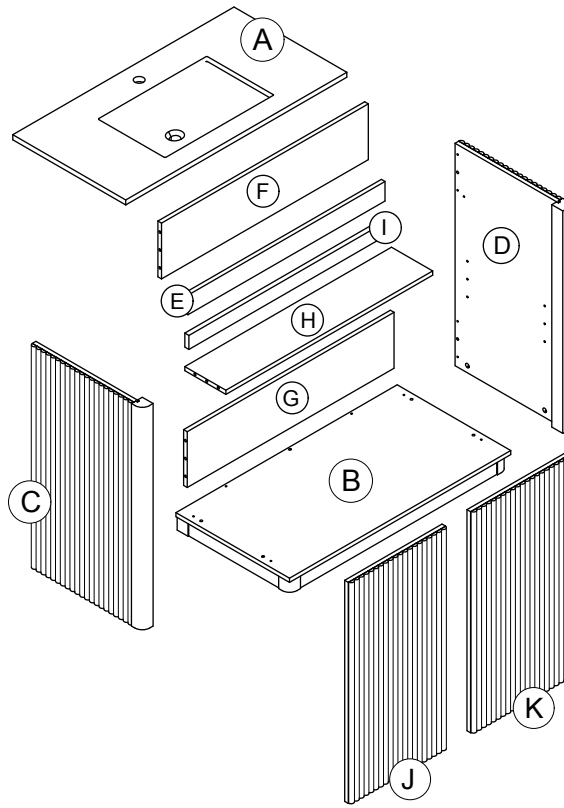
Silicone



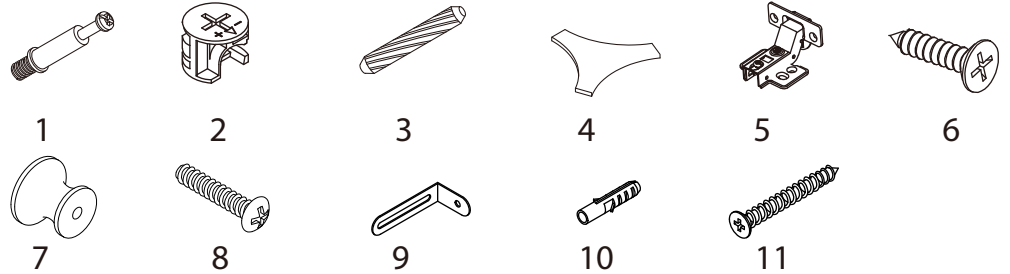
Mount Hardware

**PARTS FOR REFERENCE:**

- A. Sink
- B. Base panel
- C. Left side panel
- D. Right side panel
- E. Middle front rail
- F. Back panels (2)
- G. Legs (4)
- H. Shelf
- I. Shelf rail
- J. Left Door
- K. Right Door

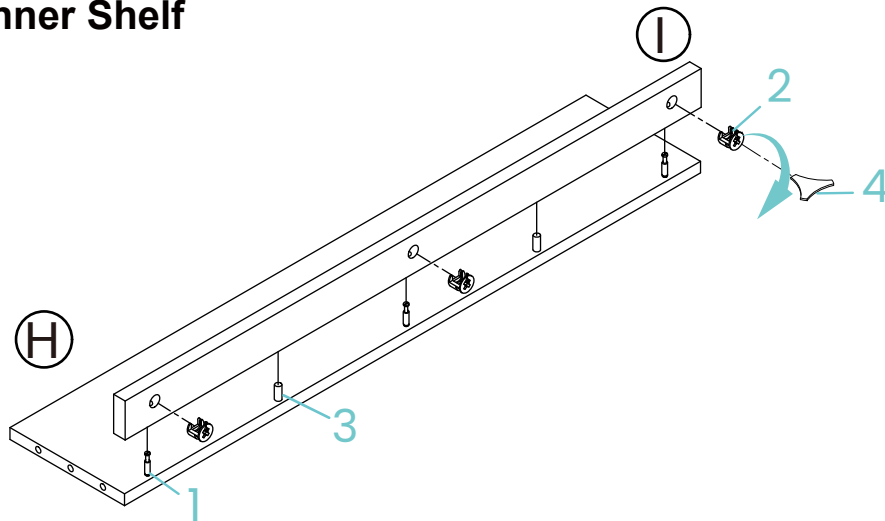


- 1. Cam bolt
- 2. Cam lock
- 3. Wooden dowel
- 4. Cam Tool
- 5. Hinge (2)
- 6. Screws
- 7. Knobs
- 8. Bolts
- 9. Wall mounting bracket
- 10. Wall mounting anchor
- 11. Wall mounting screw



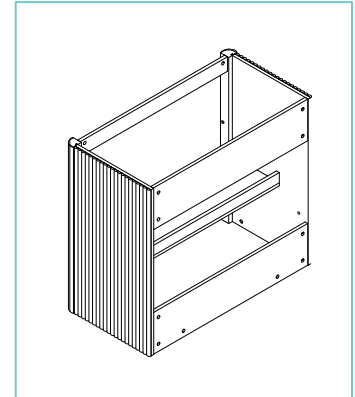
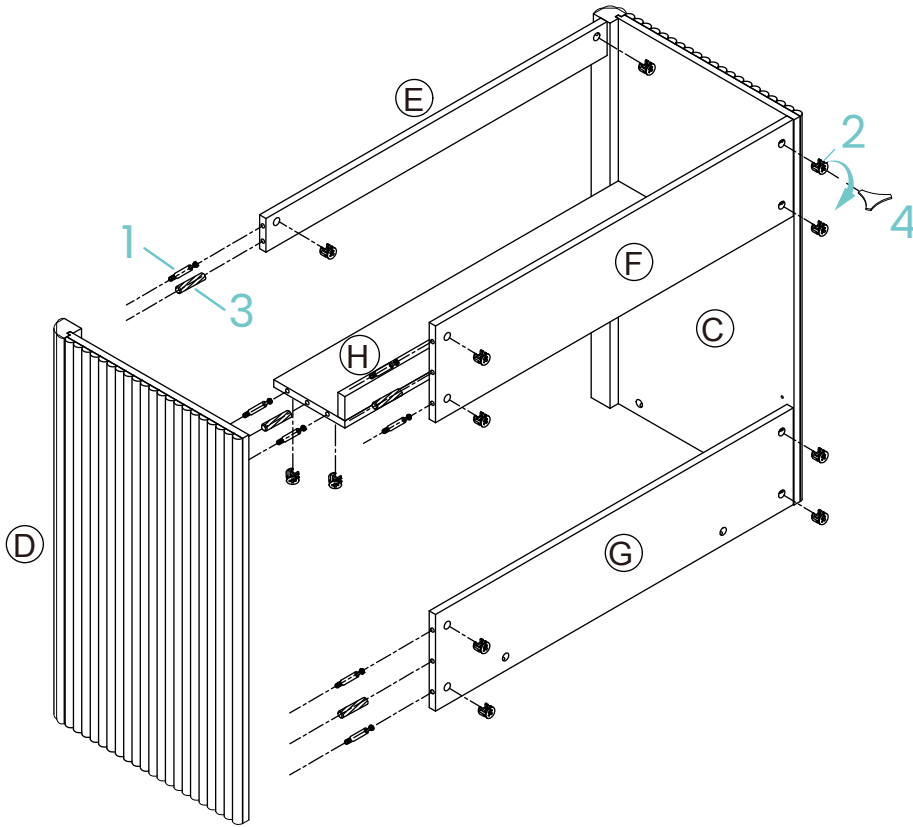
**INSTALLATION:**

**1 Prepare Inner Shelf**



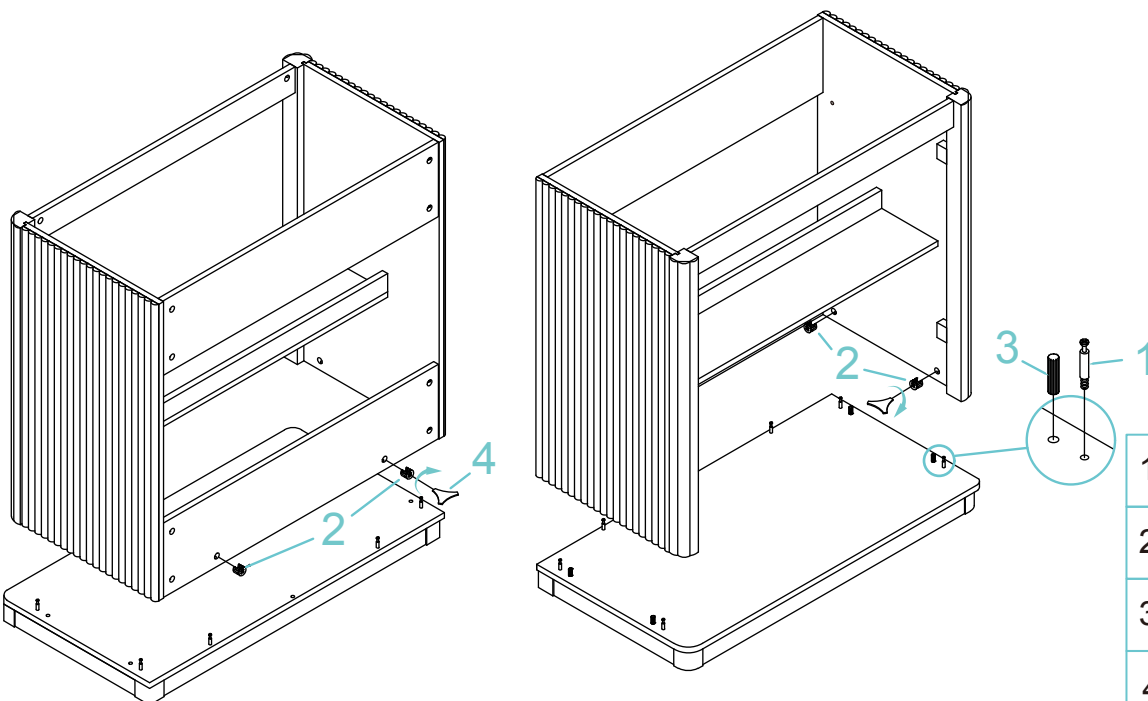
1 x 3	
2 x 3	
3 x 2	
4 x 1	

## 2 Assemble Frame



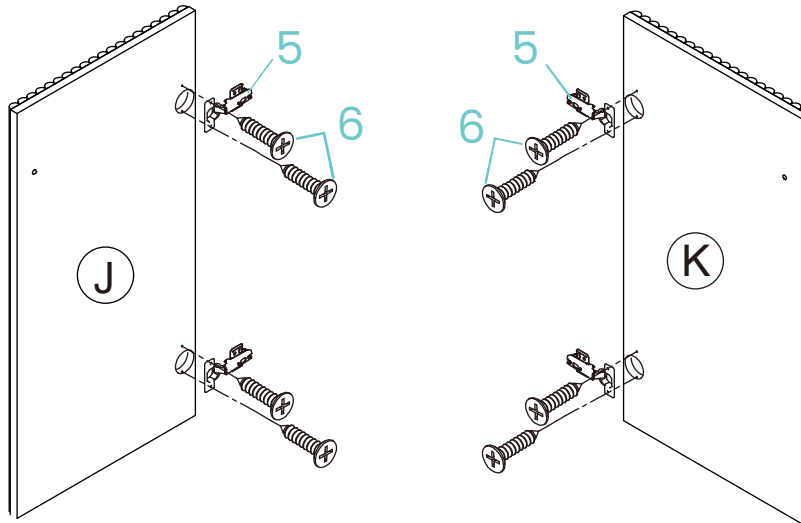
1 x 14	
2 x 14	
3 x 8	
4 x 1	

## 3 Attach Base to Frame



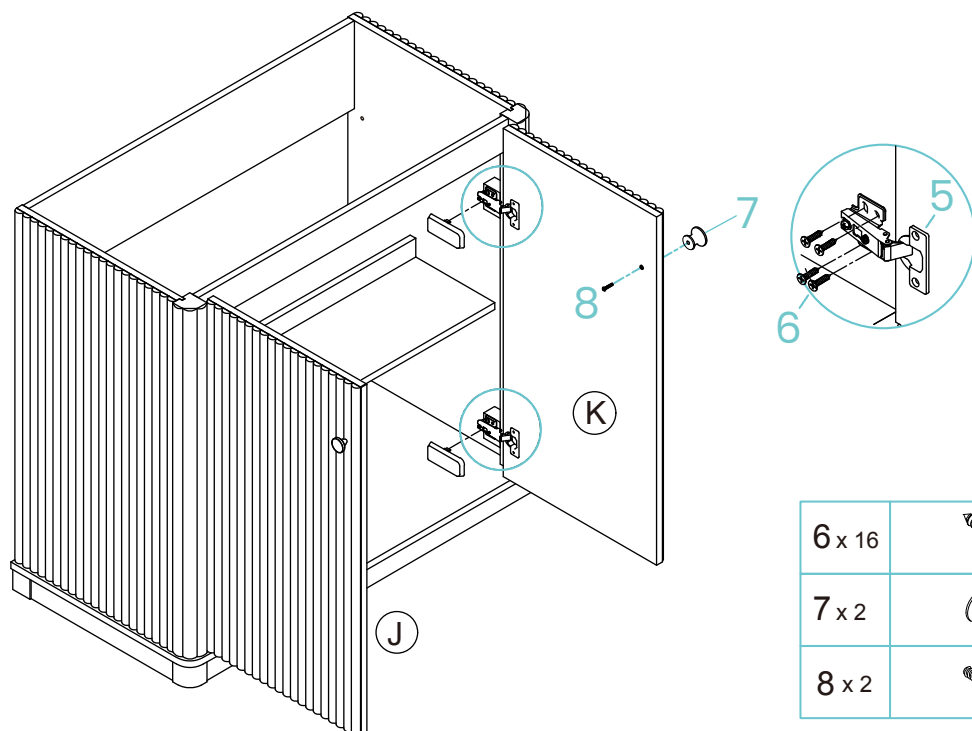
1 x 6	
2 x 6	
3 x 5	
4 x 1	

## 4 Prepare Door Hinges



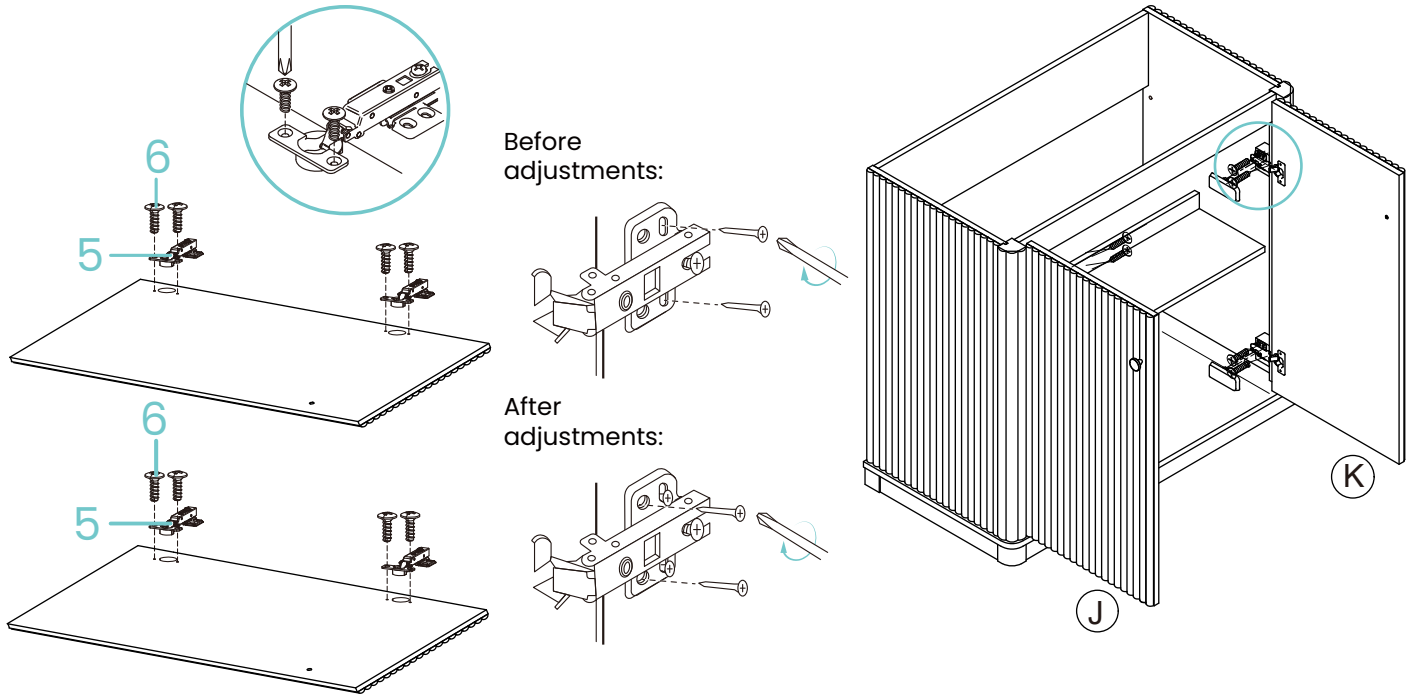
5 x 4	
6 x 8	

## 5 Attach Doors



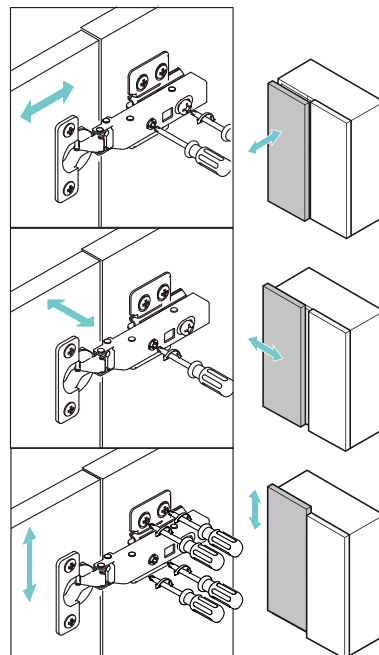
6 x 16	
7 x 2	
8 x 2	

## 6 Attach Doors

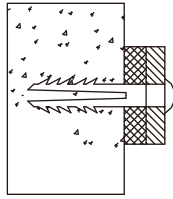
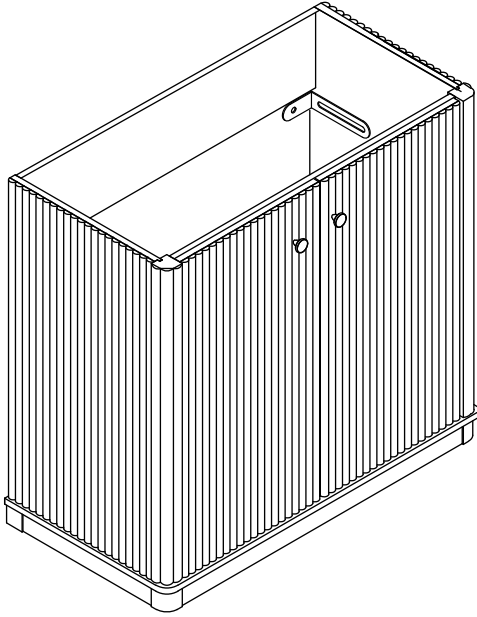


### Hinge/Door Adjustment and Realignment

• If adjustment or realignment is needed, follow the instructions provided in the following chart.



## 7 Secure Vanity to Wall



### Option 1: Securing to Drywall

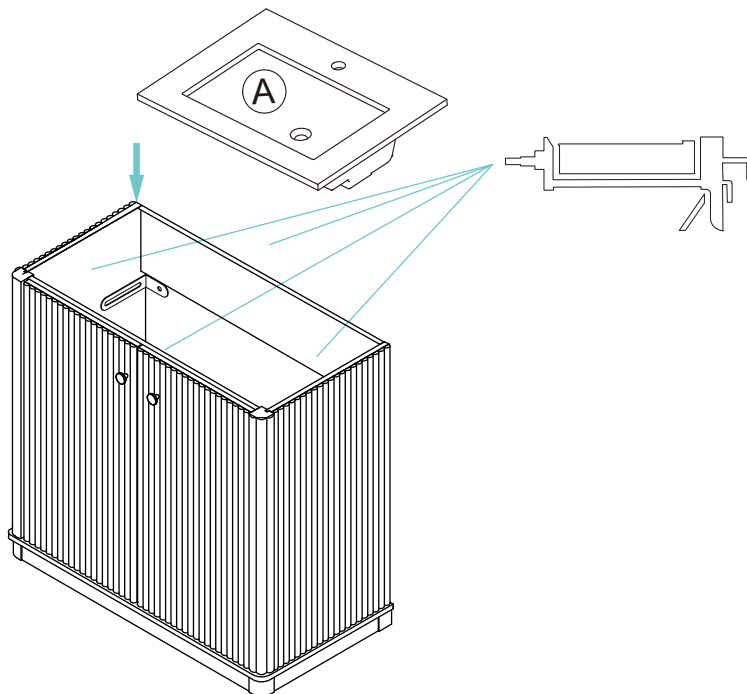
- Position cabinet against wall in desired location.
- Using a pencil, make a mark on the wall through the holes in the rear top bar.
- Move cabinet away from the wall. Create a pilot hole in each mark on the wall, then insert a plastic anchor.
- Place cabinet against the wall, insert a screw through the rear top bar into each hole in the wall, then tighten to plastic anchors to secure the vanity.

### Option 2: Securing to Drywall & Wood Stud

- Position cabinet against wall in desired location, be sure desired mounting location aligns with existing wood studs.
- Insert mounting screw through the hole in the rear top bar, then tighten through the drywall into the wooden stud. Repeat this step for the side to secure the vanity.

## 8 Vanity Top Installation

- Install faucet and drain according to manufacturer's installation instructions. Do not overtighten, this may cause the sink to crack.
- Set the vanity top on top of the vanity base, checking the location of the p-trap and drain.
- Remove vanity top from vanity base. Apply a thin bead of silicone around the vanity base and set the vanity top carefully in place.
- Remove excess silicone with a wet cloth.



Wait 24 hours  
before use.



## ONE-YEAR LIMITED WARRANTY

Swiss Madison® products are made with quality materials and excellent craftsmanship to provide our customers with beautiful, durable, long-lasting products. Should there be any defects in materials or craftsmanship under regular use that are discovered within the first year after delivery, Swiss Madison® will provide replacement parts at no charge, or at its discretion, replace any product or part of the product that is deemed defective, under normal installation, use, service or maintenance. This warranty applies only to the original purchaser. Proof of purchase must be submitted with any warranty claim.

Swiss Madison® recommends that all installations of Swiss Madison® products to be conducted by a licensed plumber or contractor. Swiss Madison® will not be held responsible for any damage or product failure due to improper installation, misuse, or failure to utilize a licensed plumber or contractor for installation. Swiss Madison® is not responsible for any installation or removal costs.

### THIS ONE-YEAR LIMITED WARRANTY WILL BE VOIDED IF:

- The installation instructions were not followed by the installer
- The product has been moved from its initial place of installation
- The product has in any way been modified from its original condition
- The product has been subjected to improper maintenance, abuse, misuse, excessive use of chemicals, accidents, or other damages

Swiss Madison® makes no warranty that its products comply with any local building or plumbing codes. It is the consumer's responsibility and obligation to determine local code compliance prior to and during installation.

Swiss Madison® is not responsible for any special, incidental or consequential damages associated with the installation, replacement, return or use of the original purchaser's product. This includes, but is not limited to: freight costs, labor, travel time, lost profit, home damages and other contingent liabilities and costs (including, without limitation, costs associated with 'professionals' or 'experts', investigations, audits, analyses, attorneys and any other professional/hired services). Some states do not allow the exclusion or limitation of incidental or consequential damages, so the above limitation or exclusion may not apply to you.

The Swiss Madison® warranty is a comprehensive and explicit limit of liability. All other warranties are hereby disclaimed and waived.

**QUESTIONS OR CONCERNS?** Please contact us directly at: 1-434-MADISON (623-4766)



### **WARNING:**

Contents of your order may contain sharp and possibly other harmful pieces and may cause hazard to children and adults. Swiss Madison® is not responsible in any way for personal injuries or damages.