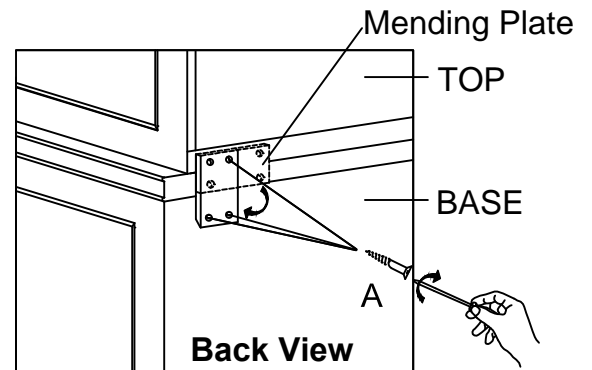
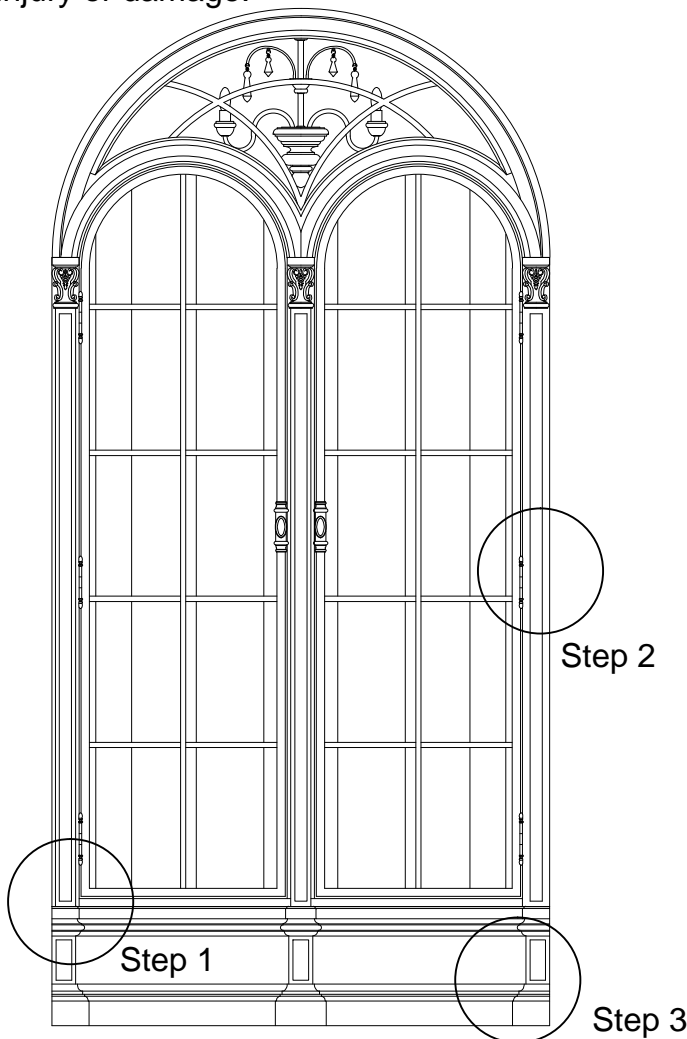
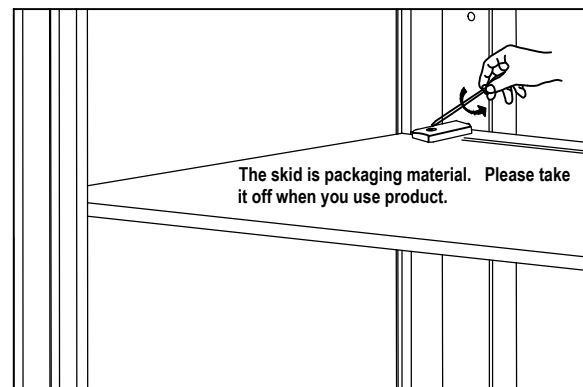


Thank you for purchasing this quality product from A.R.T. Furniture. Be sure to check all packing material for parts which may have come loose inside the carton during shipment. Identify and count all parts and compare with the parts list below.

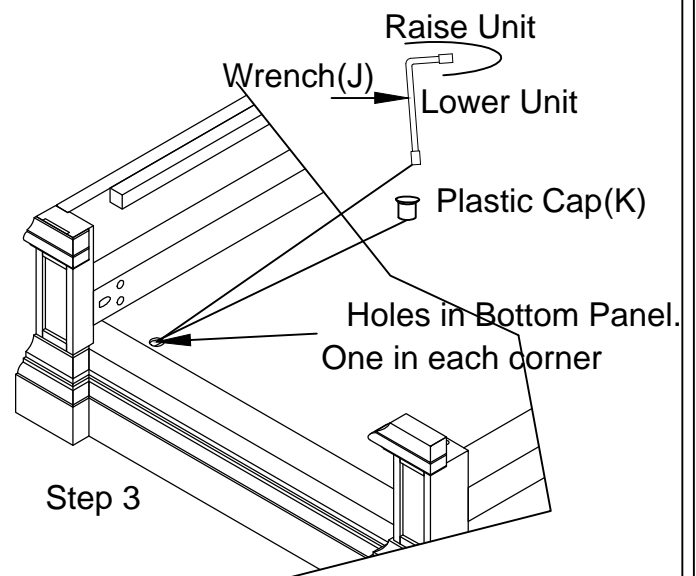
**Note:** Some furniture is heavy, it is recommended that two people assemble this item to avoid injury or damage.



**Step 1**  
Attach the TOP and BASE with mending plates (attached to back of TOP) and wood screws (A), as shown in Diagram A



**Step 2**  
Remove packing material at inside back of case.

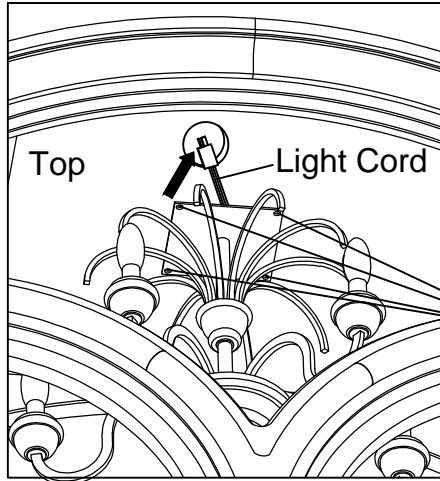
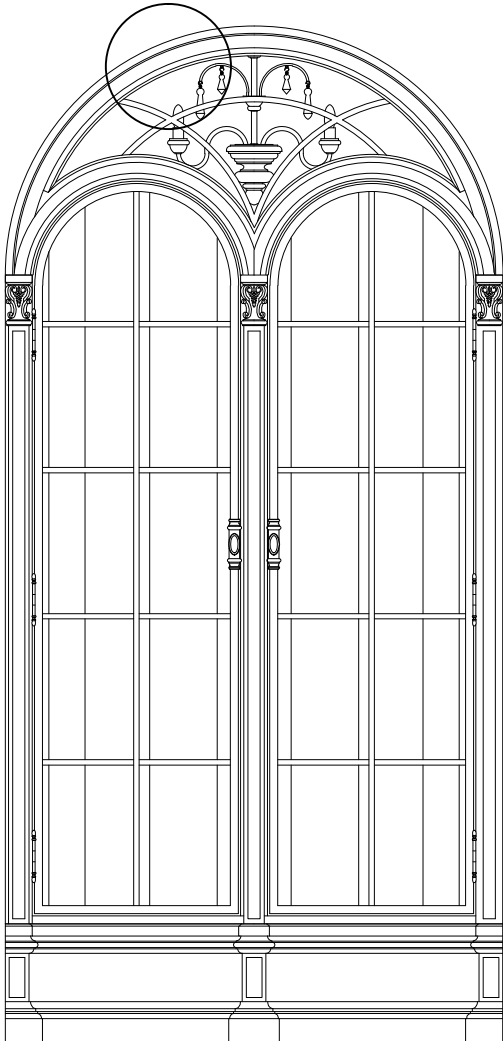


NO.		Hardware List	Qt.
A		$\frac{3}{16}$ " X 1" Wood Screw	6
B		Adjustable Shelf Pins	24
C		$\frac{3}{16}$ " X $\frac{11}{16}$ " Wood Screw	4
D		Glass Shelf	4
E		Chandelier	1
F		Decorative Pendant(LARGE)	
G		Decorative Pendant(SMALL)	
H		Light Bulb	
I		Power Supply Cord	
J		Wrench	4
K		Plastic Cap	4

Thank you for purchasing this quality product from A.R.T. Furniture. Be sure to check all packing material for parts which may have come loose inside the carton during shipment. Identify and count all parts and compare with the parts list below.

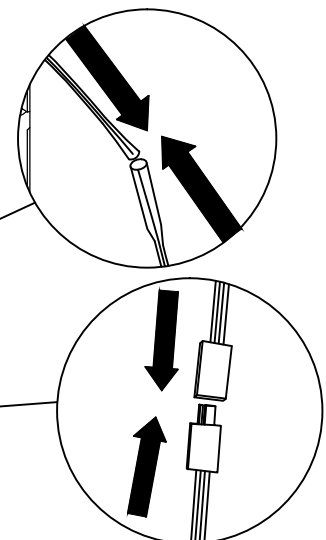
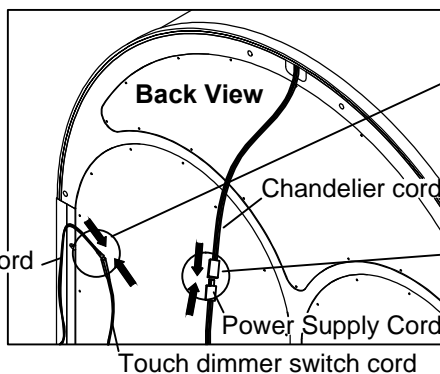
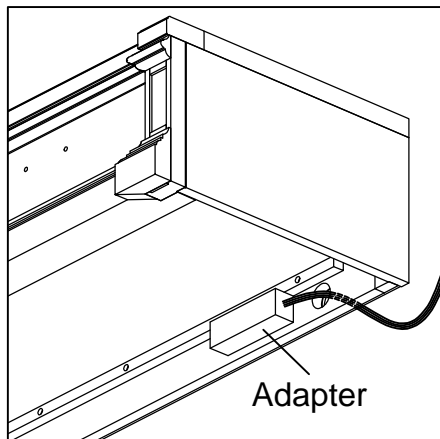
**Note:** Some furniture is heavy, it is recommended that two people assemble this item to avoid injury or damage.

Step 4 & 5



**Step 4**

Take the wire through into the hole on the top panel, then come out from the hole on the back panel. Attach the chandelier to the top back panel screws (C).



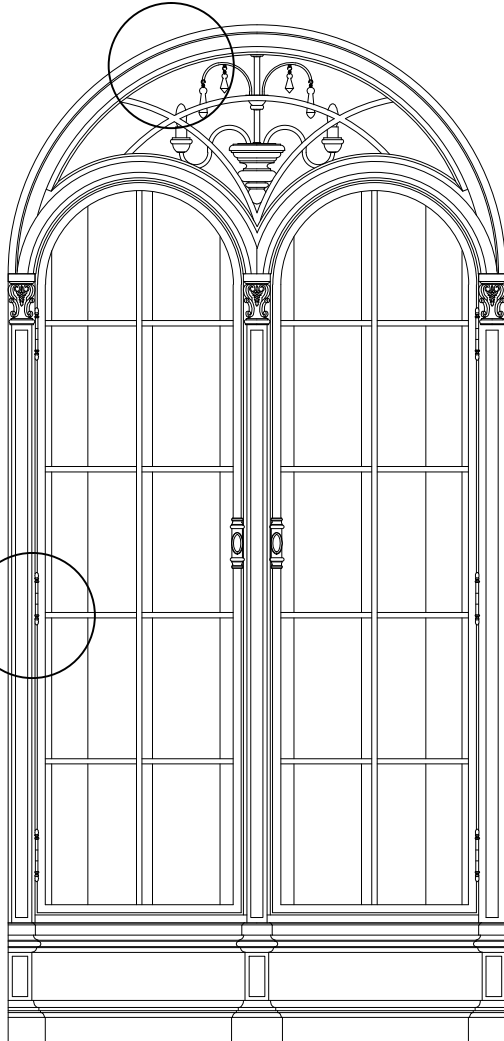
**Step 5**

Put the power supply cord across the wire hole on the base, plug the light cord from the chandelier to the power supply cord, plug the touch dimmer cord, from the back of the case to the touch dimmer switch cord, on the back of the case. (see illustration of Back).

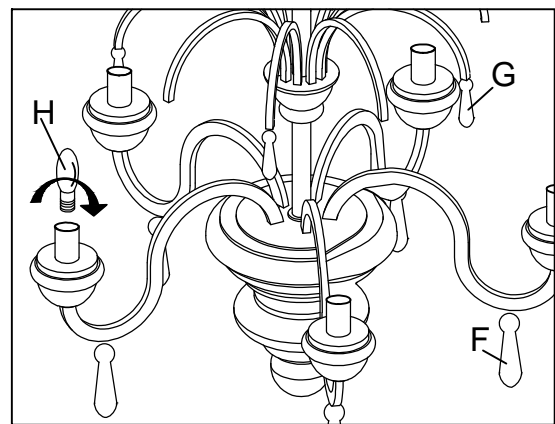
Thank you for purchasing this quality product from A.R.T. Furniture. Be sure to check all packing material for parts which may have come loose inside the carton during shipment. Identify and count all parts and compare with the parts list below.

**Note:** Some furniture is heavy, it is recommended that two people assemble this item to avoid injury or damage.

Step 6



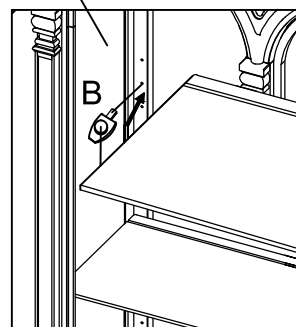
Step 7



**Step 6**

Attach large pendants (F) to bottom chandelier arms, and small pendants (G) to top chandelier arms, then screw in the light bulbs (H)

Side Frame



**Step 7**

Insert adjustable shelf pins (B) before placing glass shelves (D)