

**AXOR Citterio M**  
**Wall-Mounted Widespread Faucet Trim, 1.2 GPM**  
Finishes : **chrome**    Part no. : **34315001**



## Description

### Features

- Aerated spray
- Flow: 1.2 GPM (4.5 L/Min)
- 90° ceramic valves

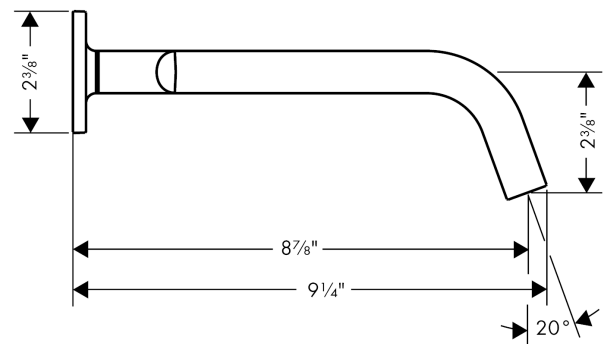
## Technology



## Product image



## Scale drawing

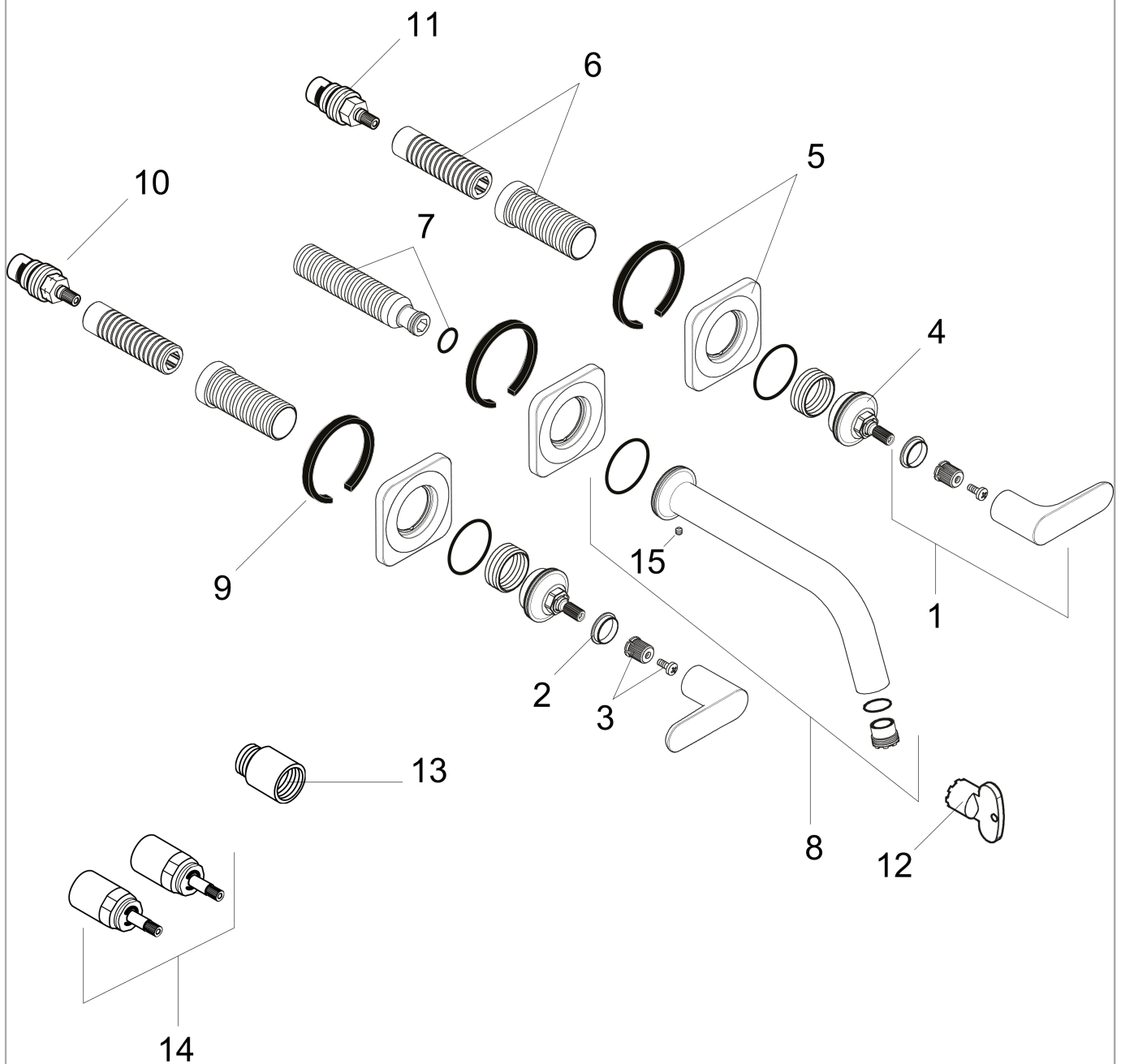


**AXOR Citterio M**  
**Wall-Mounted Widespread Faucet Trim, 1.2 GPM**  
Finishes : **chrome**    Part no. : **34315001**



## Exploded drawing

Year of production: >07/16



**AXOR Citterio M**  
**Wall-Mounted Widespread Faucet Trim, 1.2 GPM**  
 Finishes : **chrome**    Part no. : **34315001**



## Spare parts list

Year of production: >07/16

Pos.	Description	Part no.	PC	PU
1	handle	34095000	0	1
2	set of color-rings cold / hot water	98927000	0	1
3	handle fixing set	98932000	0	1
4	nut	98929000	0	1
5	escutcheon	98930000	0	1
6	fixing set	96393000	0	1
7	connecting thread G½	98933000	0	1
8	spout 220 mm	98935000	0	1
9	seal	97530000	0	1
10	shut off unit right closing	96350000	0	1
11	shut off unit left closing	96351000	0	1
12	special tool	98987000	0	1
13	extension 25 mm	95413000	0	1
14	extension 25 mm	96259000	0	1
15	hollow set screw M4x5	92846000	0	1
a	aerator M16,5x1 (4,5 l/min)	92875000	0	1
b	base body	10303181	0	1