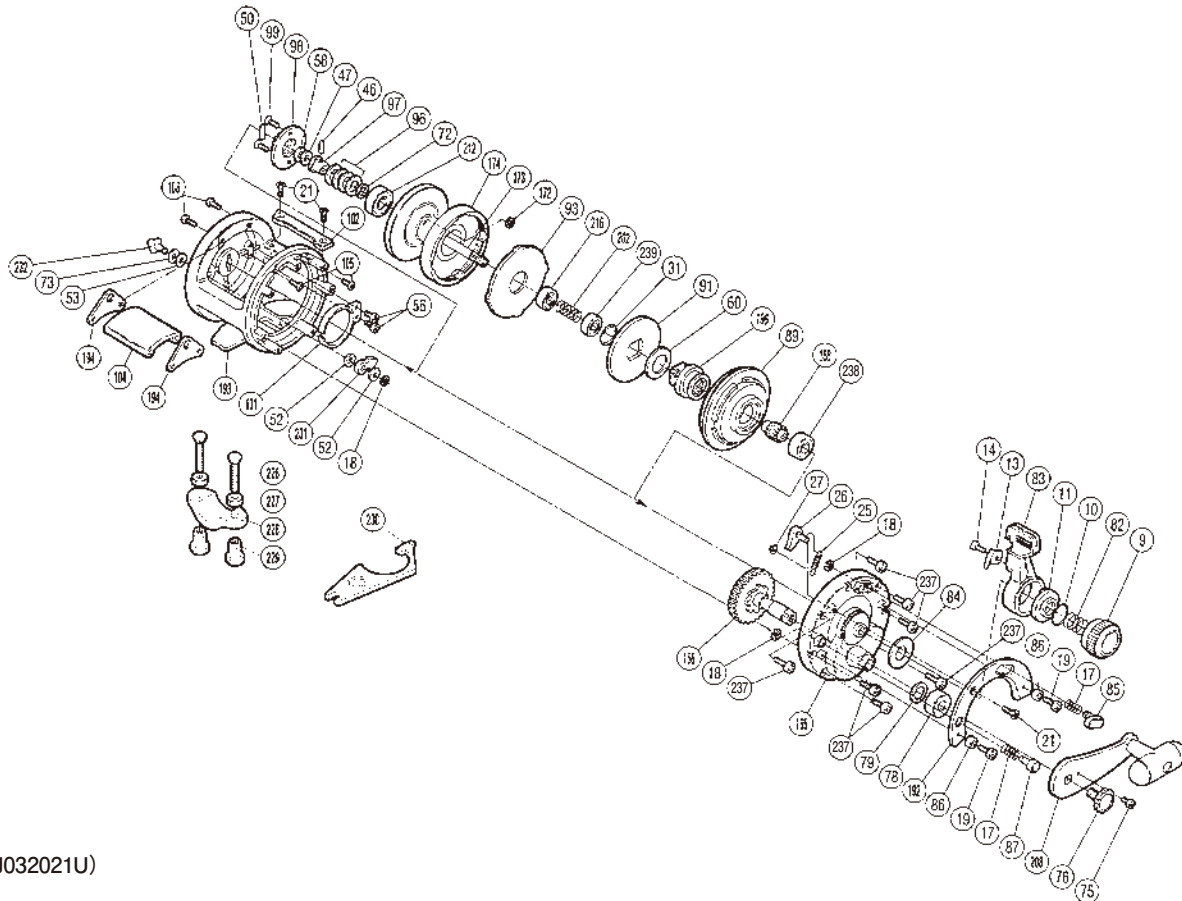


SHIMANO

TLD

TLD-20



(51RJ032021U)

#	Part No.	Description	#	Part No.	Description	#	Part No.	Description
9	108BK	Pre-Program Dial	76	106XH	Handle Screw (A)	172	13JYP	C Lock
10	108WK	Body O Seal	78	10KZK	Gear Shaft Shield	173	10EUC	Main Shaft
11	10CBV	Lever Shaft Body	79	107QK	Gear Shaft Thrust Washer	174	10NK5	Spool
13	10TZ3	Lever Click Spring	82	108H8	Dial Spring	192	10TZT	Lever Quadrant
14	10QG5	Click Spring Screw	83	108H1	Drag Control Lever	193	103X7	One-Piece Body
17	10BNL	Pressure Spring	84	108DH	Lever Thrust Ring	194	10TZ5	Harness Lug
18	105NK	C Lock	85	10BSP	Strike Stop	196	10TZA	Pinion Guard
19	10M2Q	Quadrant Anchor Bolt	86	10CCH	Bolt Shield	202	10TZB	Pressure Release Spring
21	10MLF	Quadrant Screw	87	10BND	Free Spool Detent	208	102SF	Handle
25	10CBR	Dog Spring	89	106DK	Cooling Shield	212	10K62	Ball Bearing
26	10PG1	Dog	91	106AZ	Drag Plate	231	1054C	Click Pawl
27	109H9	Dog Spring Retainer	93	1060Q	Titanium Drag Washer	232	1050H	Click Button
31	10EVQ	Seal Lock	96	1052C	Pre-Load Spring B	237	10PQR	Screw
46	105X7	Cross Pin A	97	105X4	Pre-Load Body	238	10KAA	Ball Bearing
47	104L3	Spacer A	98	106A4	Click Gear	239	108PC	Ball Bearing
50	105X1	Cross Pin B	99	10PHQ	Click Gear Screw			
52	104H3	Click Pawl Washer	101	10GUY	Click Spring	226	10A7A	Rod Clamp Bolt (Accessory)
53	104H2	Click Button Washer A	102	10TZ6	Line Guard	227	105N9	Rod Clamp Nut (B) (Accessory)
56	103GS	Click Spring Screw	104	10BLD	Cross Bar	228	10AR5	Rod Clamp (Accessory)
58	104L4	Spacer B	105	10MG3	Cross Bar Bolt A	229	1046P	Rod Clamp Nut (A) (Accessory)
60	1052A	Pre-Load Spring A	106	10MG4	Cross Bar Bolt B			
72	104X5	Pre-Load Washer A	165	10HRF	Side Plate			
73	10FTM	Click Button Washer B	166	10A2K	Main Gear			
75	10MC3	Handle Screw (B)	168	10A40	Pinion Gear	230	10TUY	Wrench (Accessory)

Please note that the number of adjusting washers may not be the same as shown in the exploded views.
(Adjustment will vary with each individual product.)

(230830)_004