

Assembly Guide



Bush
FURNITURE

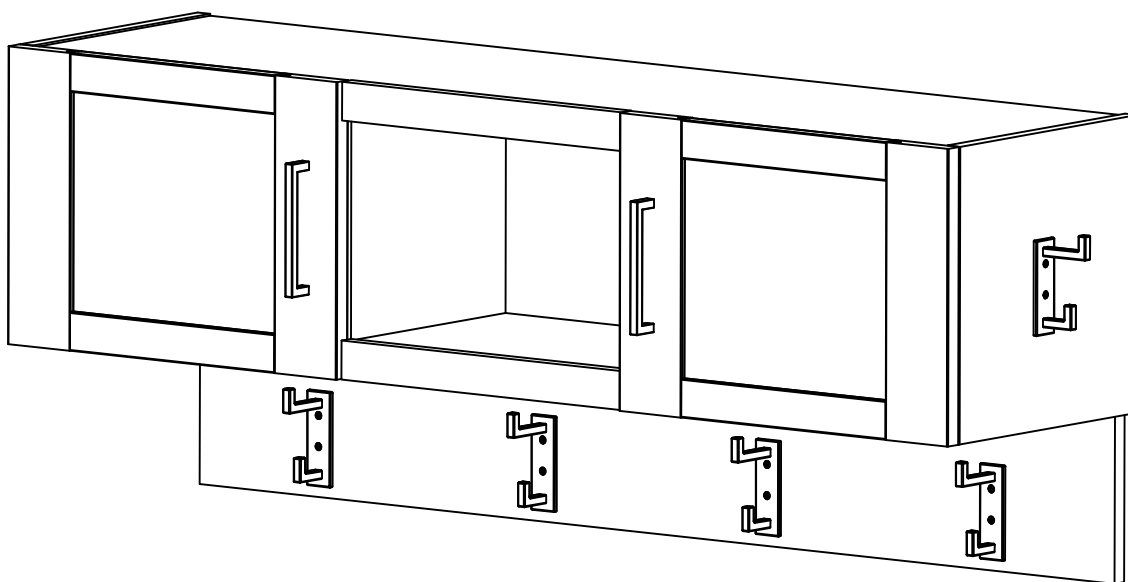


If you're having any difficulty during assembly of this product, don't hesitate to call us at **1-800-950-4782.**

Our customer service experts are trained to provide step-by-step instruction and can easily replace any missing or damaged parts.

**Representatives are available Monday-Friday
from 8:30 a.m. to 7:30 p.m. (ET)**

48W Wall Mounted Coat Rack w Doors



Lot Code #

Instruction Sheet Number A215876

Keep manual for future reference.

For best results, keep these tips in mind:

- ① We know you want to finish this assembly as quickly as possible, but trust us: you'll have a better experience if you take it one step at a time.
- ② Give yourself some room to work near where you want the fully assembled product.
- ③ If your floor isn't carpeted, assemble this product on the empty carton to avoid scratching.
- ④ Do you have a friend who owes you a favor? Some steps may go a little easier with a second set of hands.

DOs

- ✔ Use a #2 Phillips head screwdriver (or other handheld tools as indicated)
- ✔ Wear safety glasses at all times during assembly
- ✔ Carefully follow the instructions in this guide and complete all steps in order
- ✔ Give us a call if you're having trouble with a particularly tricky step

DON'Ts

- ✘ We know power tools are quick and easy, but you shouldn't use them when assembling this product (unless otherwise specified)
- ✘ Never move your furniture with items inside or resting on the surface
- ✘ Do not attempt to use this product before all steps have been completed

Watch assembly videos right on your phone or computer!



Some steps include QR codes that link to helpful videos. Watch out for the icon below! Simply open up your smartphone camera to scan the code.

(Users of older smartphones may need to install a QR Reader.)

SCAN HERE



FOR VIDEOS

Or visit <https://bushfurniture.com/help-faq/#assembling>



IMPORTANT SAFETY INFORMATION



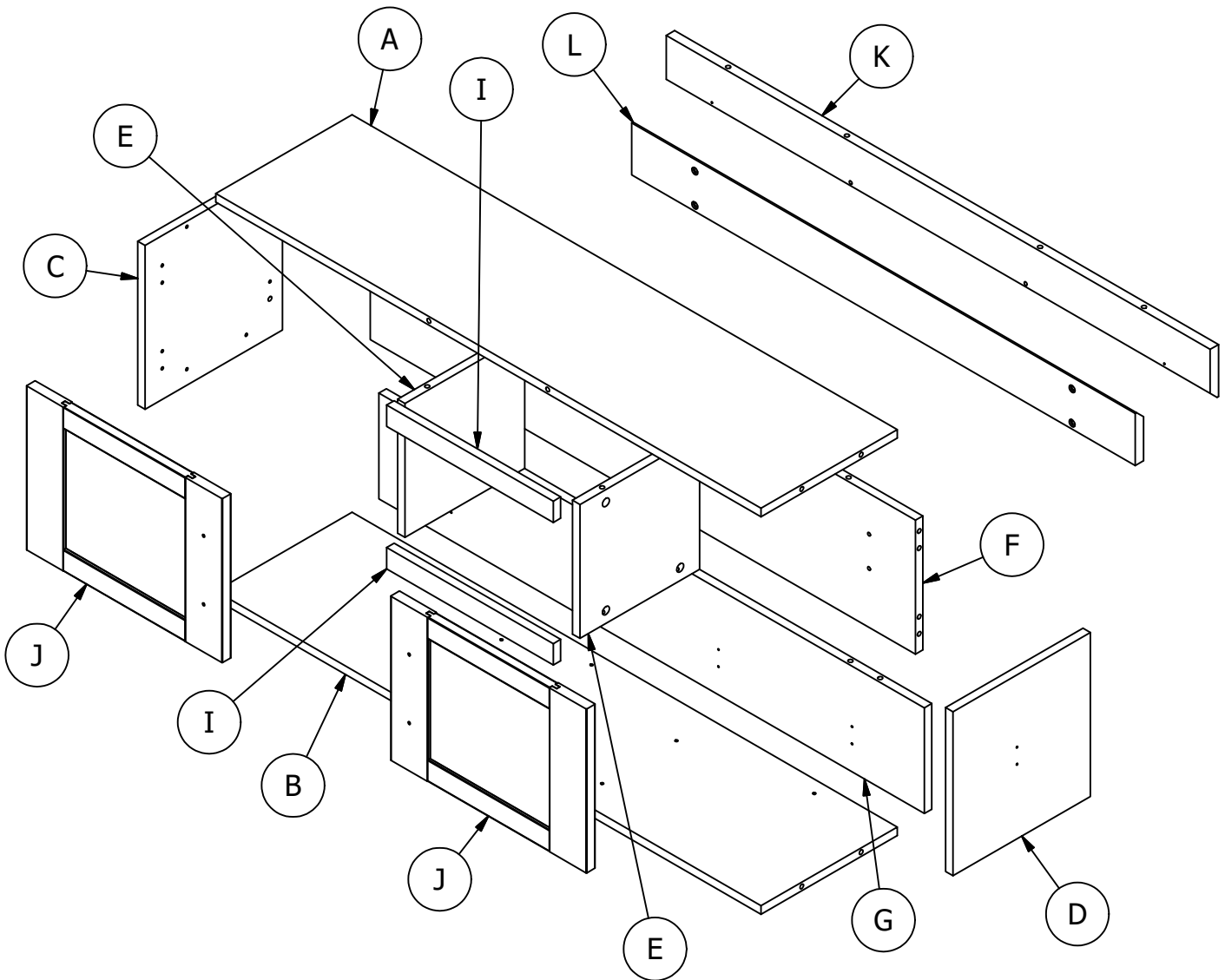
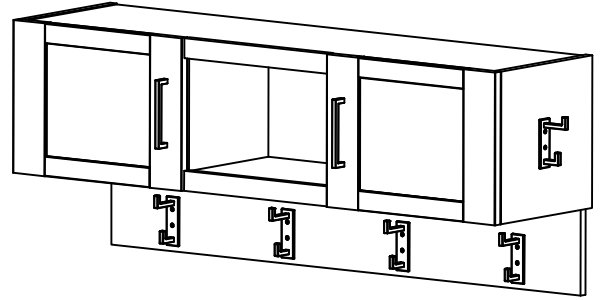
PLEASE READ WARNINGS

Improper use can cause safety hazards, or damage to your furniture and household items.

Warning	Do	Don't	Why it's important
DEATH or SERIOUS INJURY can occur	<ul style="list-style-type: none">Hutch MUST be securely attached to wall structure.ONLY attach directly to wood- or metal studs or masonry wall structure.	<ul style="list-style-type: none">NEVER attach hutch directly to drywall/sheetrock/ gypsum panel.NEVER use hollow wall anchors.Check that screws are tight and fully screwed into wall.Screws must not be loose or turn freely when the hutch is fully installed.	Failure to follow these steps may result in product falling of the wall and product collapse resulting in crushing injury.

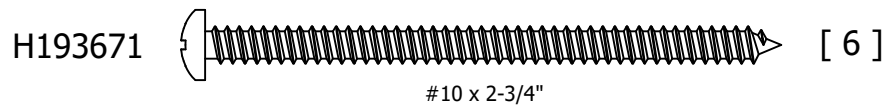
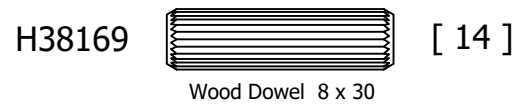
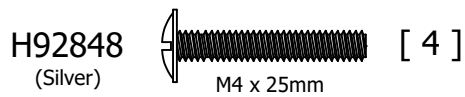
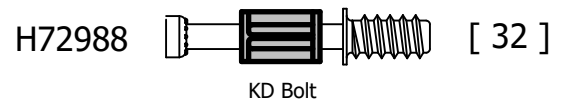
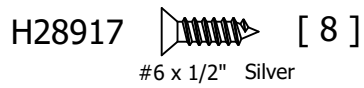
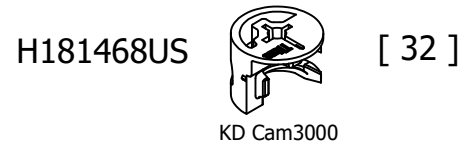
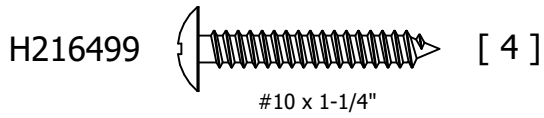
Advertencia	Hacer	No	Por qué es importante
Puede ocurrir la MUERTE o LESIONES GRAVES	<ul style="list-style-type: none">La conejera DEBE estar firmemente sujeta a la estructura de la pared.ÚNICAMENTE sujete directamente a postes de madera o metal o estructura de pared de mampostería.	<ul style="list-style-type: none">NUNCA conecte la conejera directamente al panel de yeso / placa de yeso / panel de yeso.NUNCA use anclajes de pared huecos.Verifique que los tornillos estén apretados y completamente atornillados a la pared.Los tornillos no deben aflojarse ni girar libremente cuando la cabina está completamente instalada.	No seguir estos pasos puede resultar en la caída del producto de la pared y el colapso del producto resultando en una lesión por aplastamiento.

Attention	À faire	À ne pas faire	Pourquoi c'est important
LA MORT ou DES BLESSURES GRAVES	<ul style="list-style-type: none">La huche DOIT être fixée sécuritairement à la structure murale.Fixer DIRECTEMENT aux montants de bois ou de métal ou à la structure murale en maçonnerie.	<ul style="list-style-type: none">Ne JAMAIS fixer la huche directement sur une cloison sèche, un panneau de gypse ou de plâtre.Ne JAMAIS utiliser d'ancrages pour cloison sèche.Vérifier que les vis sont bien serrées et entièrement vissées dans le mur.Les vis ne doivent pas être mobiles ou pivoter quand la huche est complètement installée.	Le non-respect de ces étapes peut entraîner la chute et l'effondrement du produit résultant en blessures par écrasement.



Have an assembly question or need a replacement part? Just call
1-800-950-4782, we are here to help.

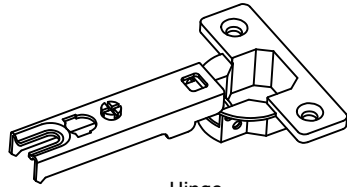
Fasteners are shown actual size.



Have an assembly question or need a replacement part? Just call
1-800-950-4782, we are here to help.

Hardware not to scale.

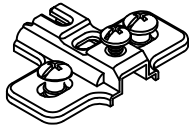
H126359



[4]

Hinge

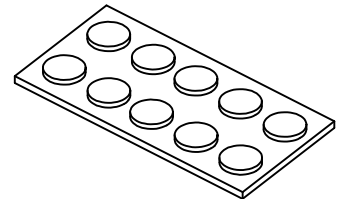
H126758



[4]

Mounting Plate

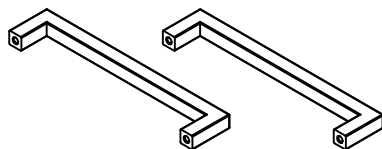
H215406



[1]

Bumper (10) per pack

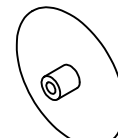
Q215208



[2]

Pull

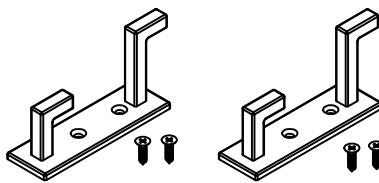
H73619



[20]

Cover Cap

Q215563



[6]

Coat Hook

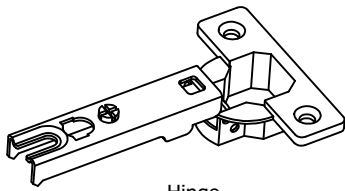
Have an assembly question or need a replacement part? Just call
1-800-950-4782, we are here to help.

STEP 1

Prepare Doors

A215876

H126359



[4]

Hinge

H28917

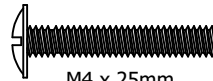


[8]

#6 x 1/2" Silver

H92848

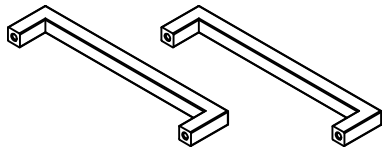
(Silver)



[4]

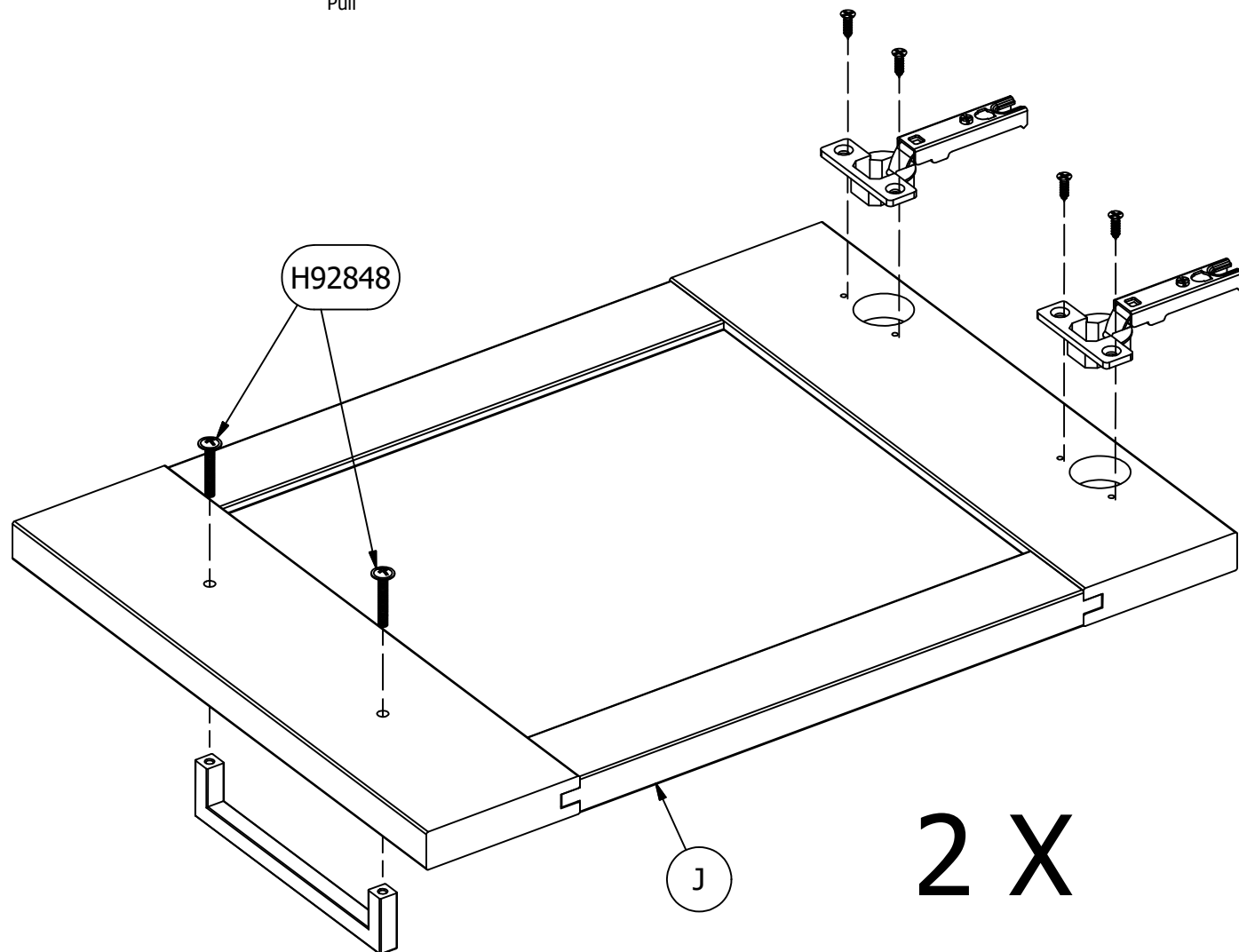
M4 x 25mm

Q215208



[2]

Pull



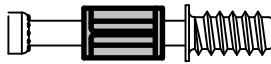
Have an assembly question or need a replacement part? Just call
1-800-950-4782, we are here to help.

STEP 2

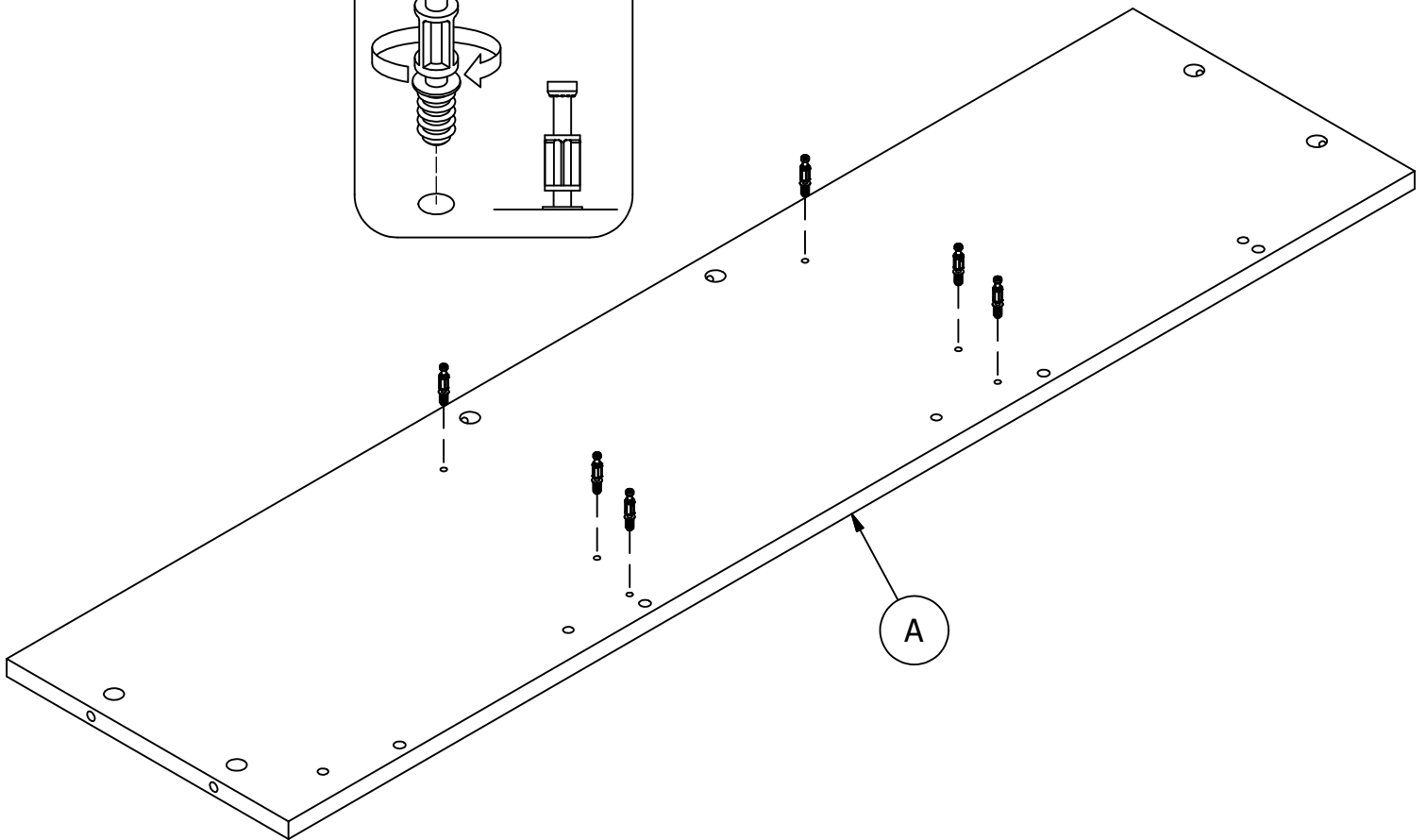
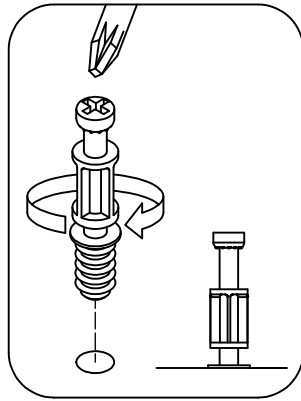
Prepare Panel

A215876

H72988 [6]



KD Bolt



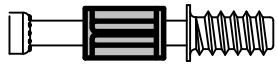
Have an assembly question or need a replacement part? Just call
1-800-950-4782, we are here to help.

STEP 3

Prepare Panel

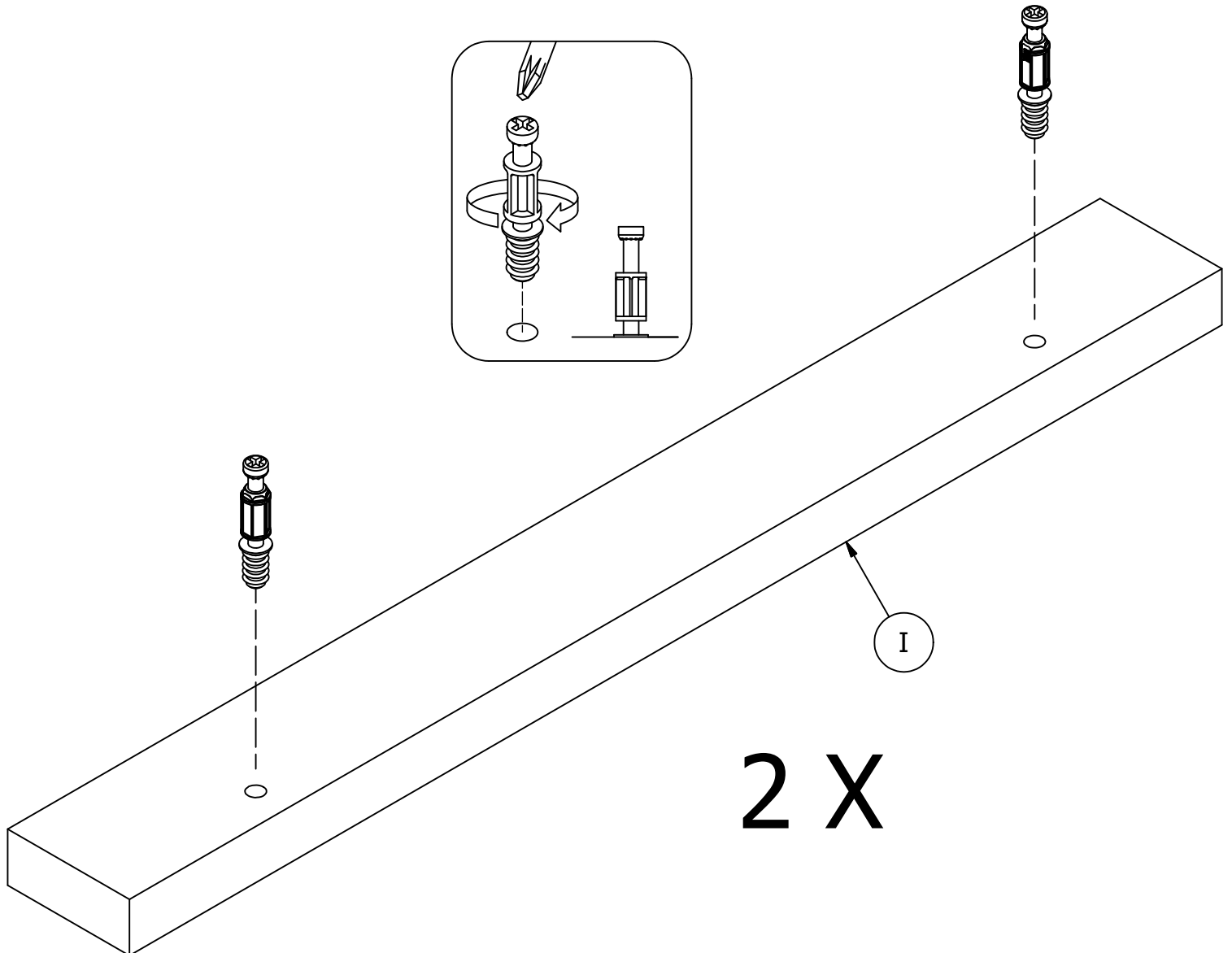
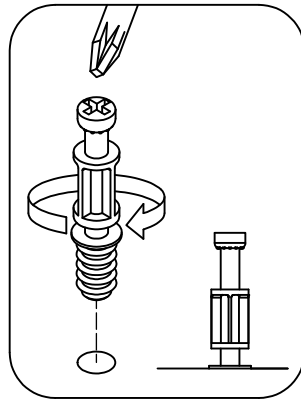
A215876

H72988



KD Bolt

[4]



Have an assembly question or need a replacement part? Just call
1-800-950-4782, we are here to help.

STEP 4

Assemble Panels

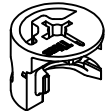
A215876

Scan QR Code to Watch Video on:



How to Tighten KD Cams

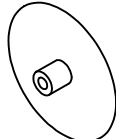
H181468US



KD Cam3000

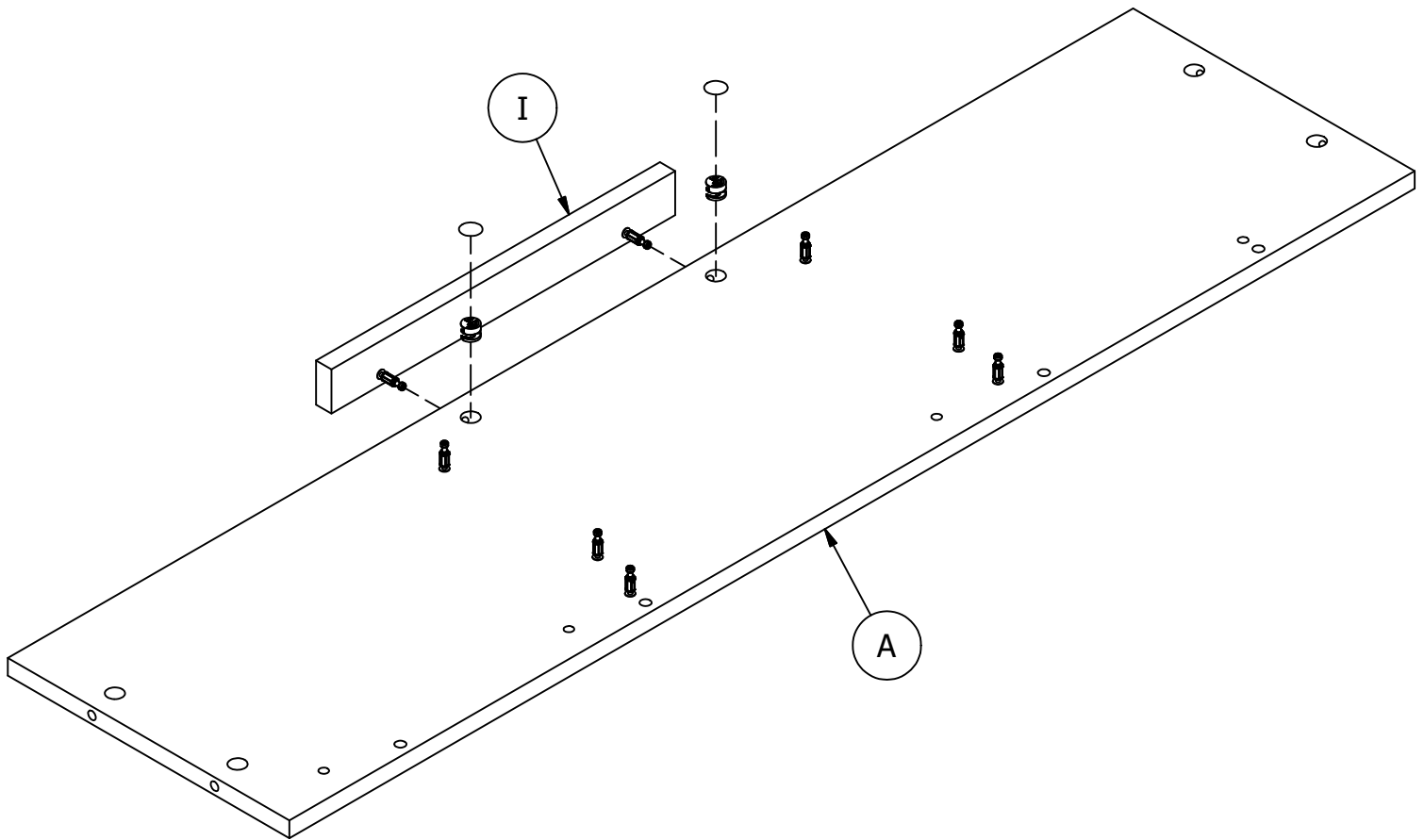
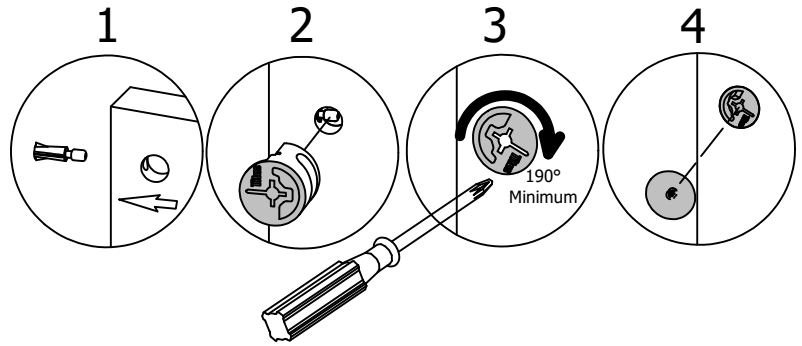
[2]

H73916



Cover Cap

[2]



Have an assembly question or need a replacement part? Just call **1-800-950-4782**, we are here to help.

STEP 5

Assemble Panels

A215876

Scan QR Code to Watch Video on:



How to Tighten KD Cams

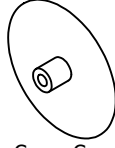
H181468US



KD Cam3000

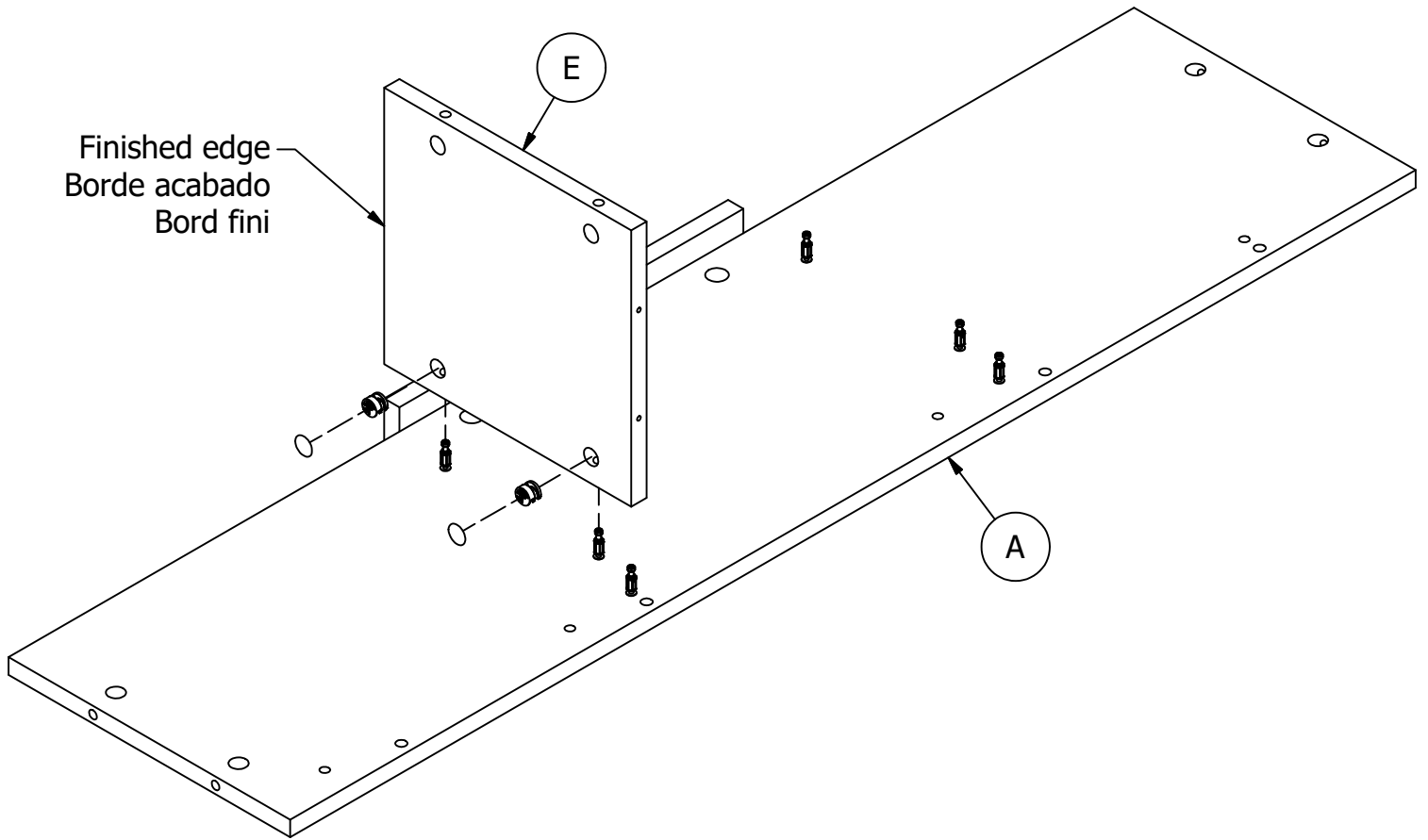
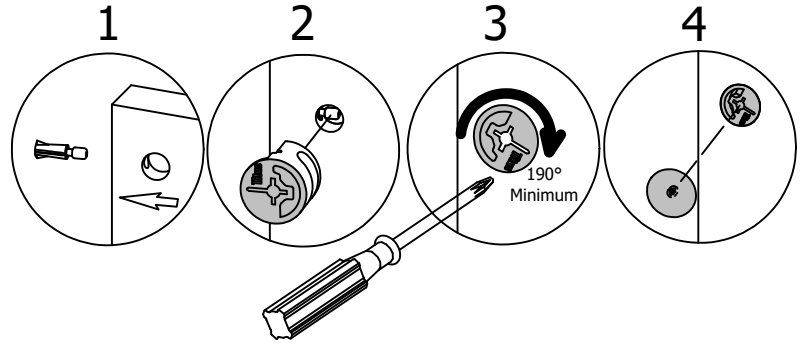
[2]

H73916



Cover Cap

[2]



Have an assembly question or need a replacement part? Just call **1-800-950-4782**, we are here to help.

STEP 6

Assemble Panels

A215876

Scan QR Code to Watch Video on:



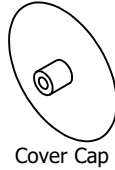
How to Tighten KD Cams

H181468US

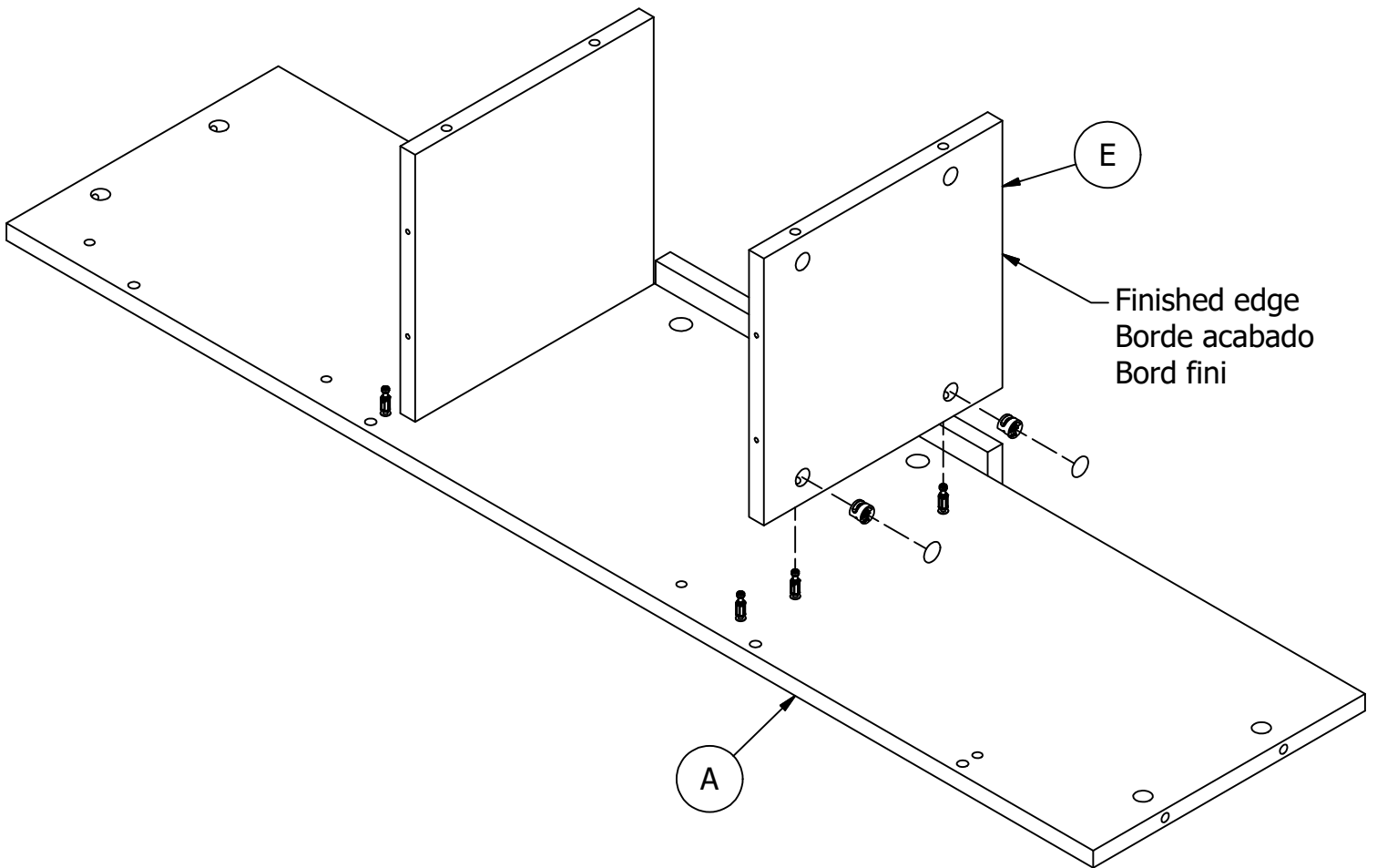
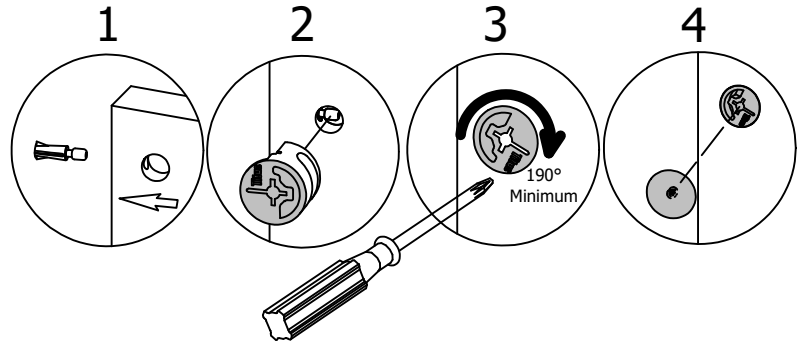


[2]

H73916

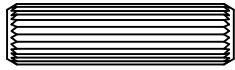


[2]



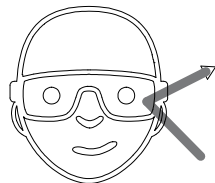
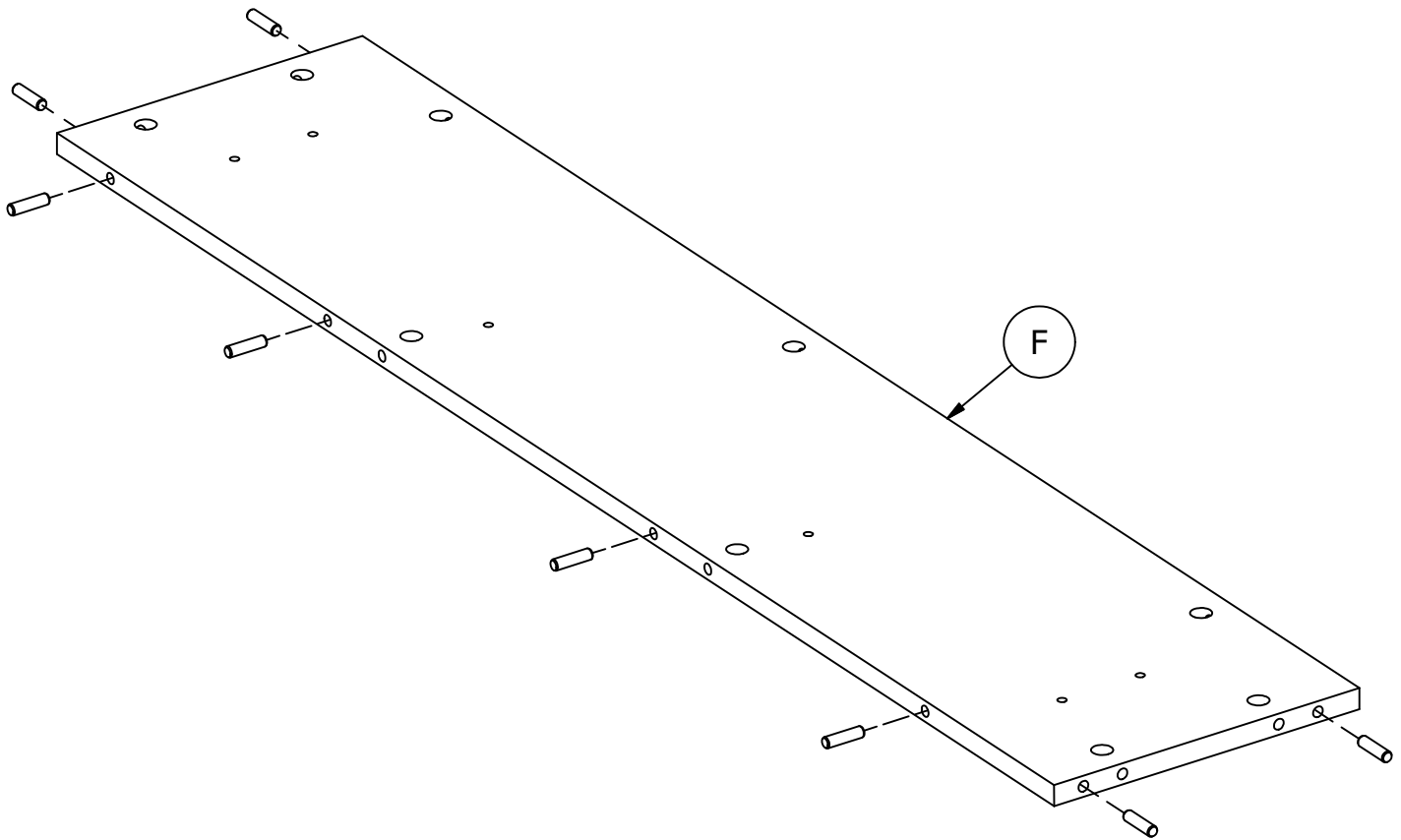
Have an assembly question or need a replacement part? Just call **1-800-950-4782**, we are here to help.

H38169



[8]

Wood Dowel 8 x 30



Safety glasses
Gafas de seguridad
Lunettes de protection



Have an assembly question or need a replacement part? Just call
1-800-950-4782, we are here to help.

STEP 8

Assemble Panels

A215876

Scan QR Code to Watch Video on:

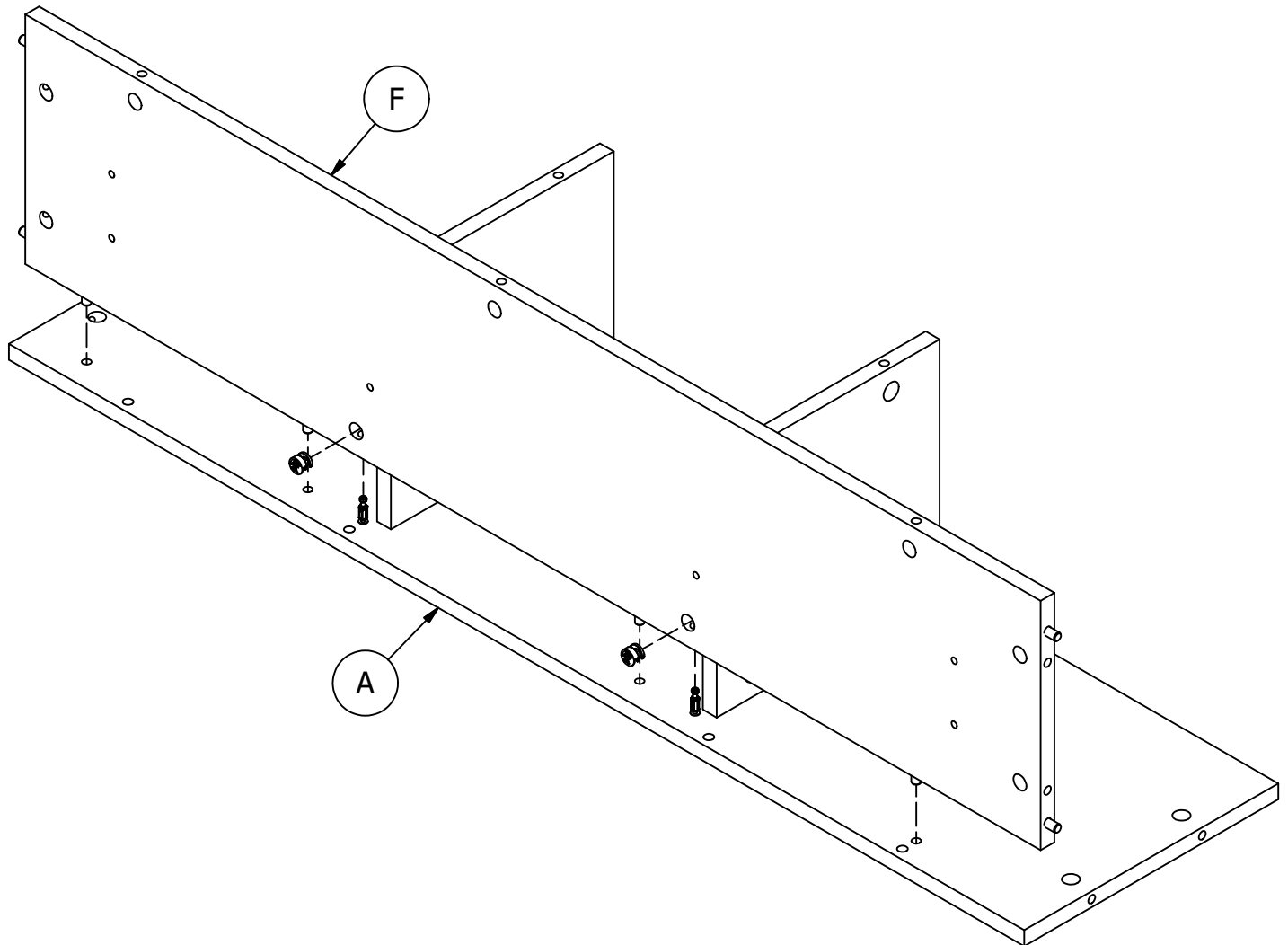
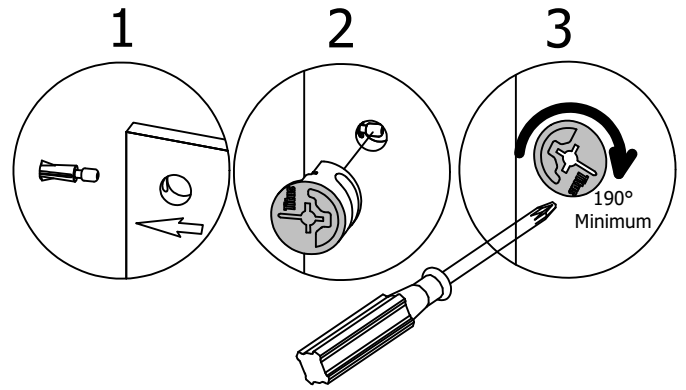


How to Tighten KD Cams

H181468US



[2]



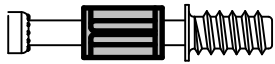
Have an assembly question or need a replacement part? Just call **1-800-950-4782**, we are here to help.

STEP 9

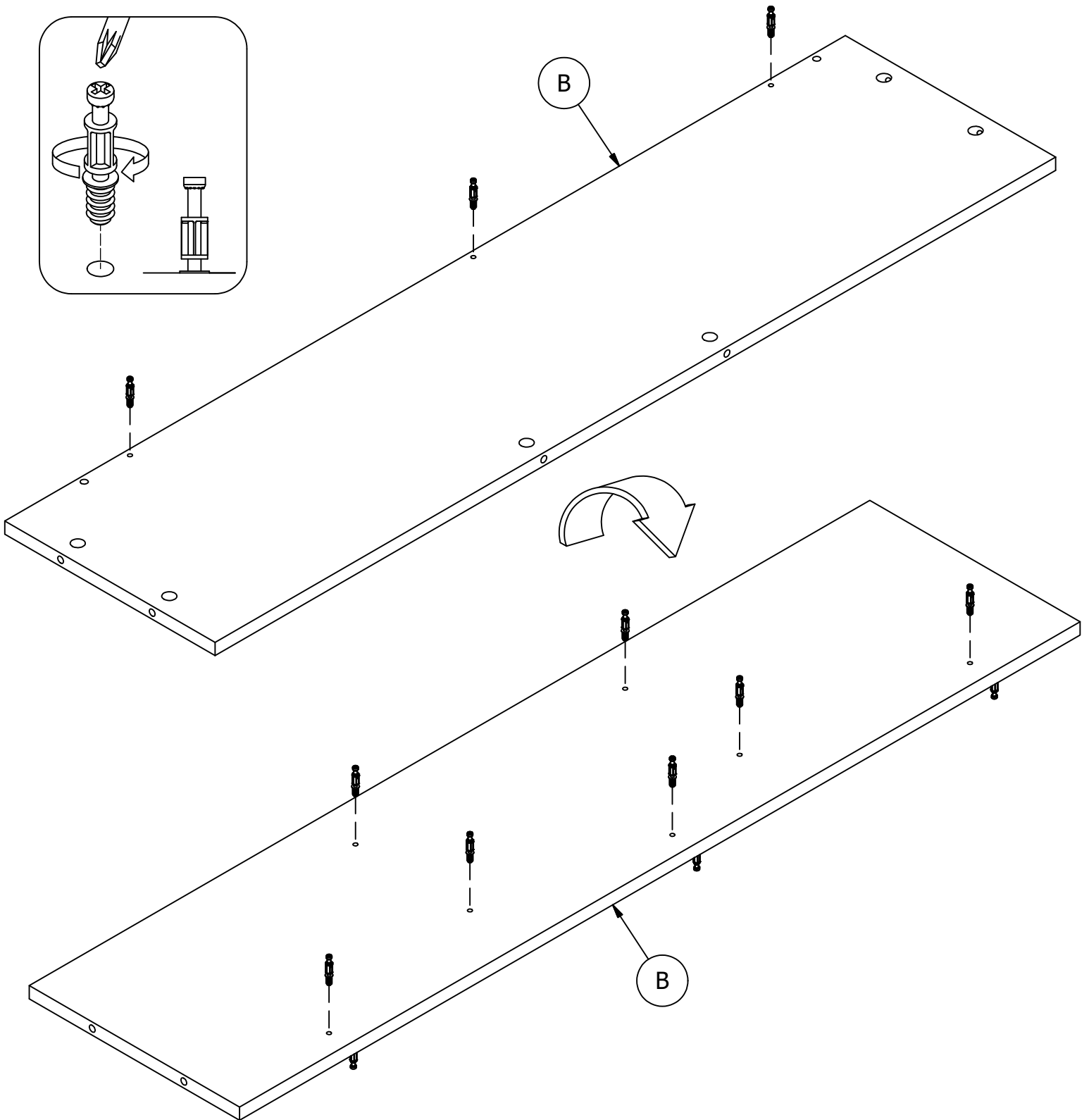
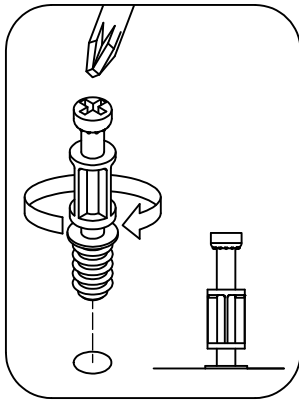
Prepare Panel

A215876

H72988 [10]



KD Bolt



Have an assembly question or need a replacement part? Just call **1-800-950-4782**, we are here to help.

STEP 10

Assemble Panels

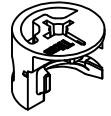
A215876

Scan QR Code to
Watch Video on:



How to Tighten
KD Cams

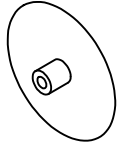
H181468US



KD Cam3000

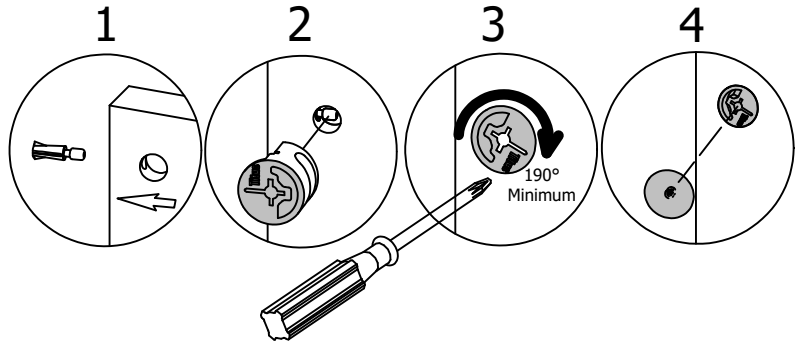
[2]

H73619

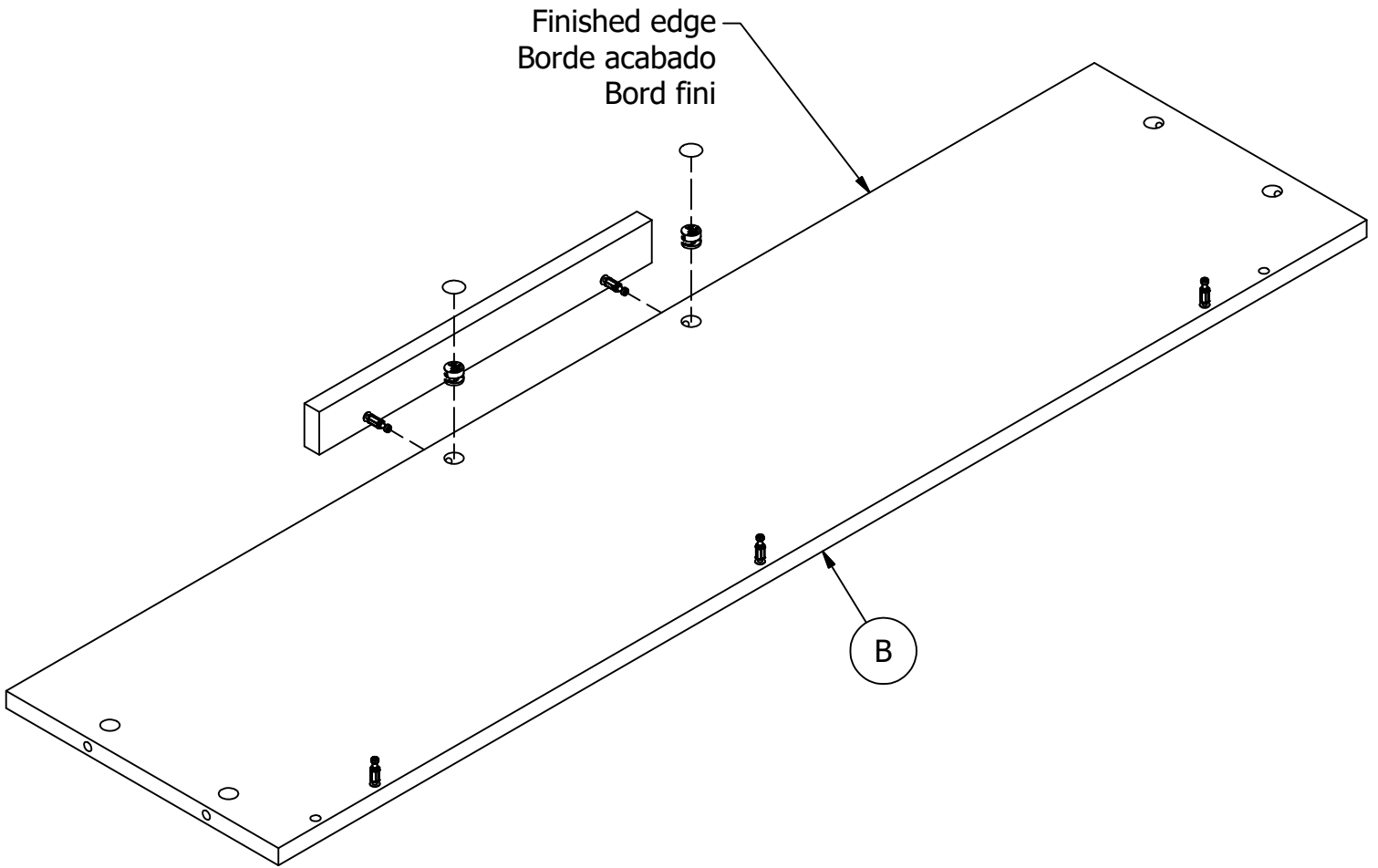


Cover Cap

[2]



Finished edge
Borde acabado
Bord fini



Have an assembly question or need a replacement part? Just call
1-800-950-4782, we are here to help.

STEP 11

Assemble Panels

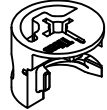
A215876

Scan QR Code to Watch Video on:



How to Tighten KD Cams

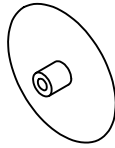
H181468US



KD Cam3000

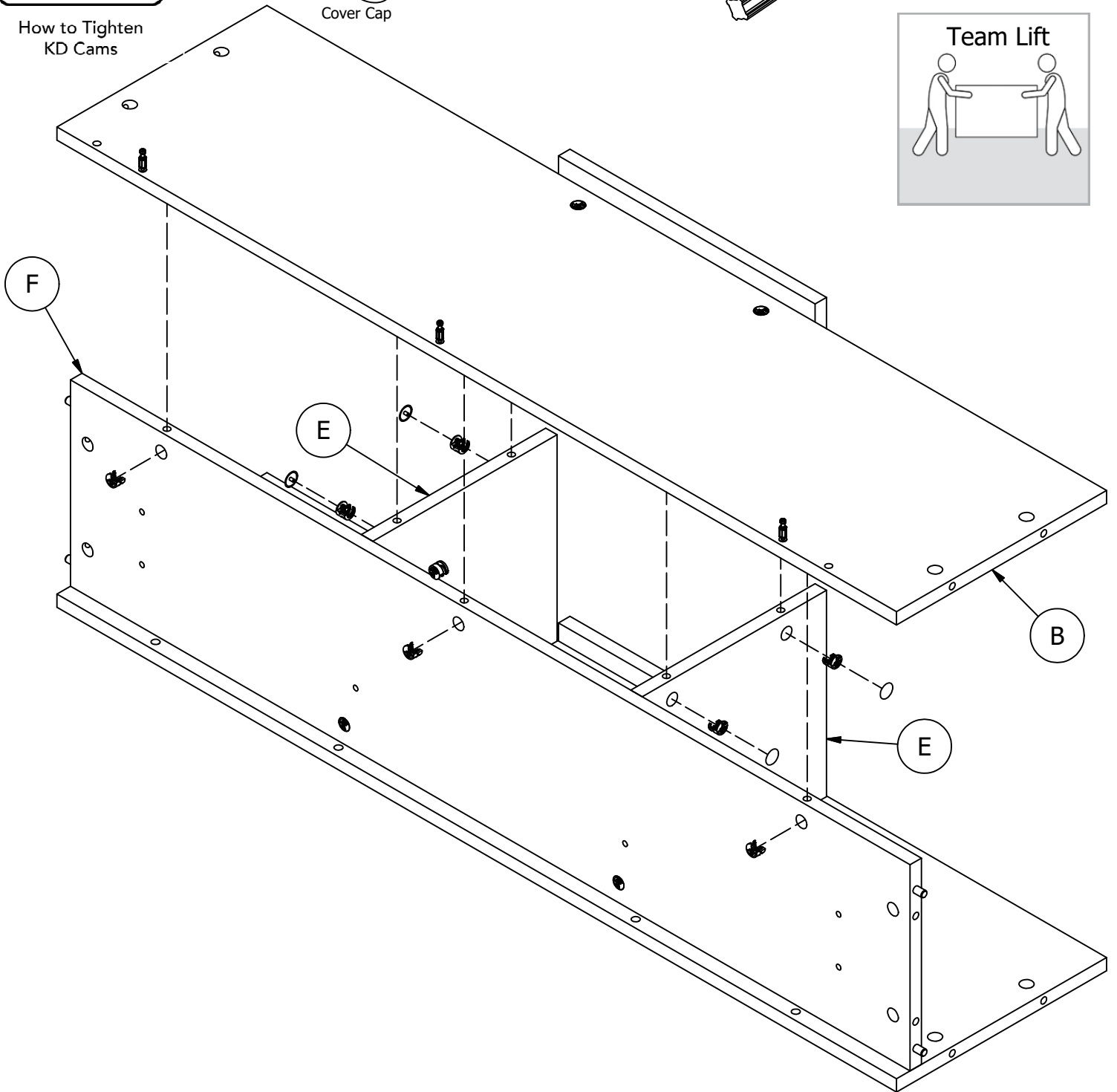
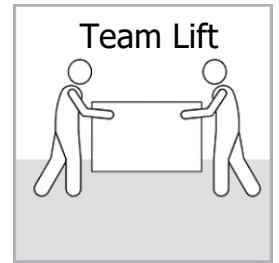
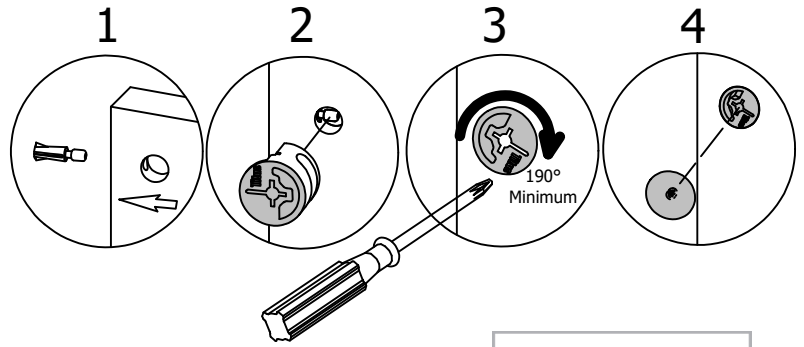
[7]

H73619

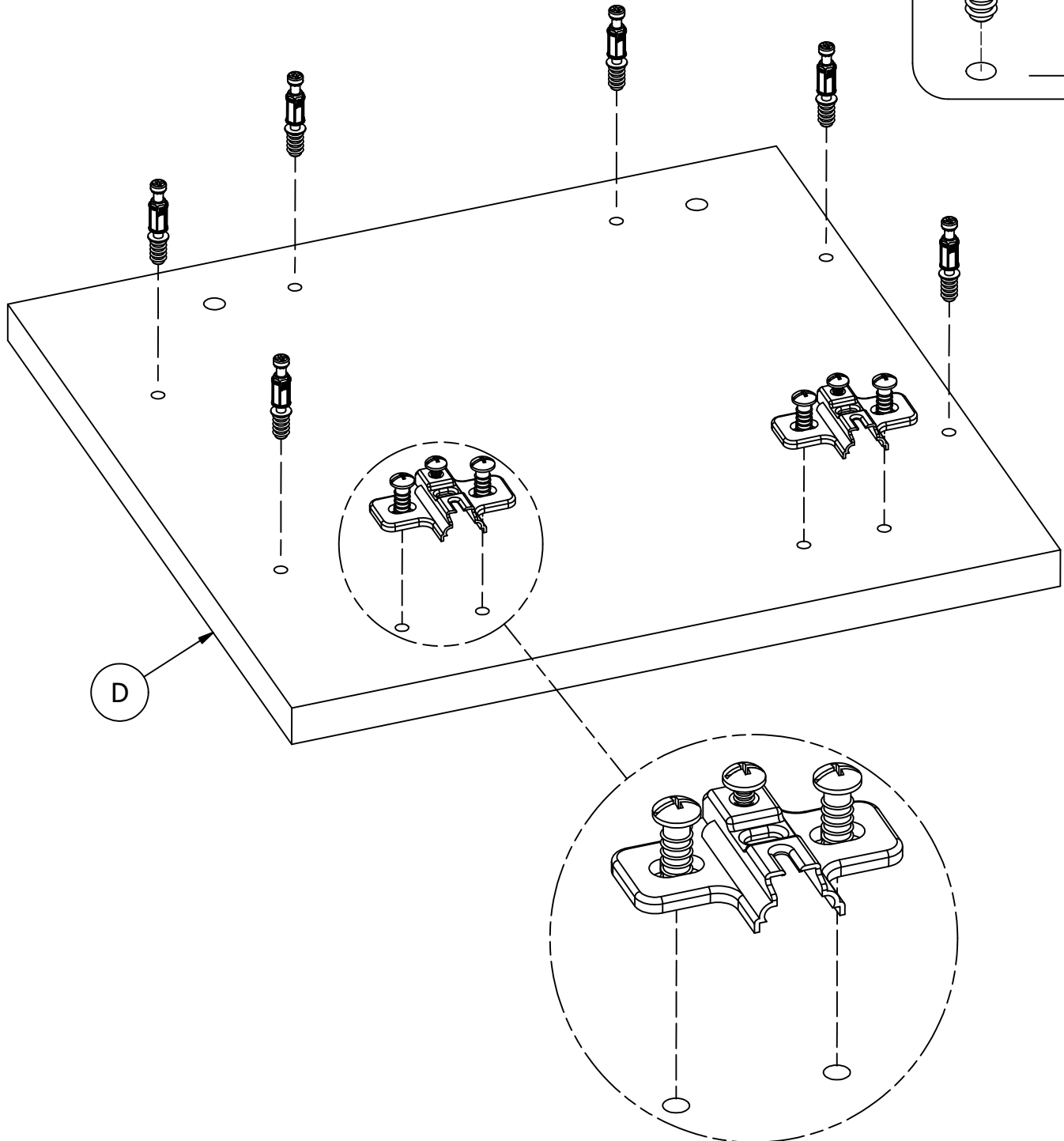
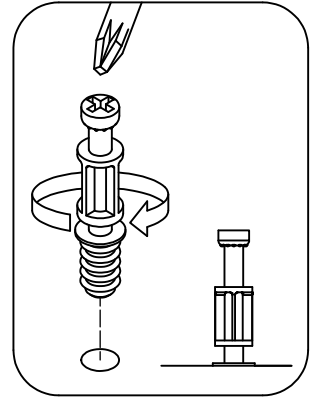
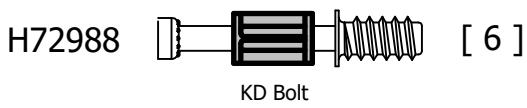
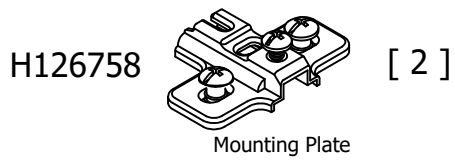


Cover Cap

[4]



Have an assembly question or need a replacement part? Just call **1-800-950-4782**, we are here to help.



Have an assembly question or need a replacement part? Just call
1-800-950-4782, we are here to help.

STEP 13

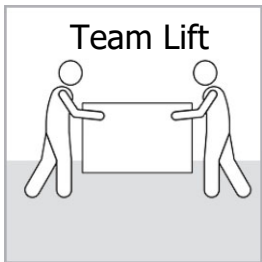
Assemble Panels

A215876

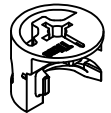
Scan QR Code to Watch Video on:



How to Tighten KD Cams



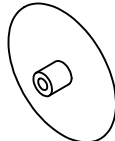
H181468US



KD Cam3000

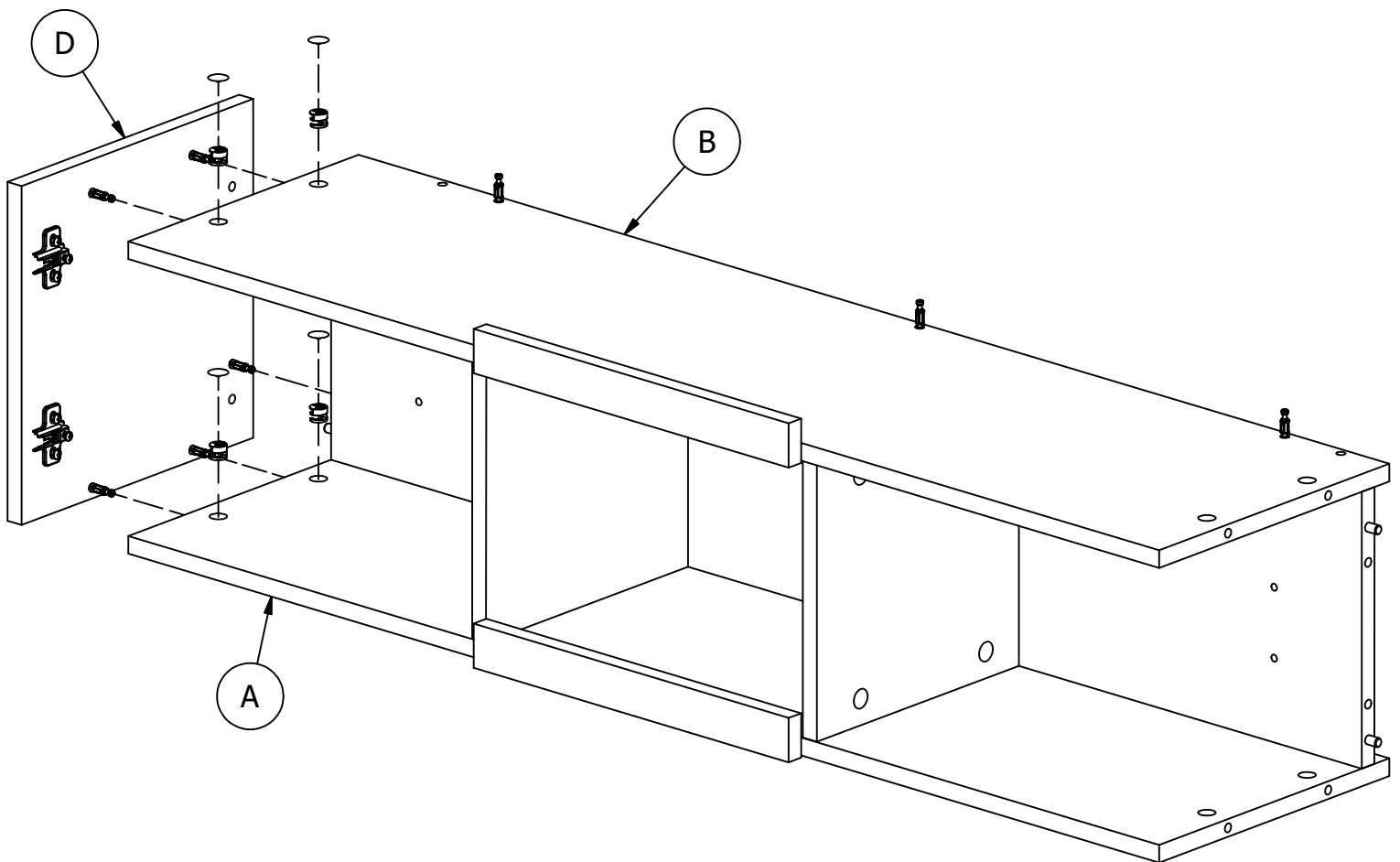
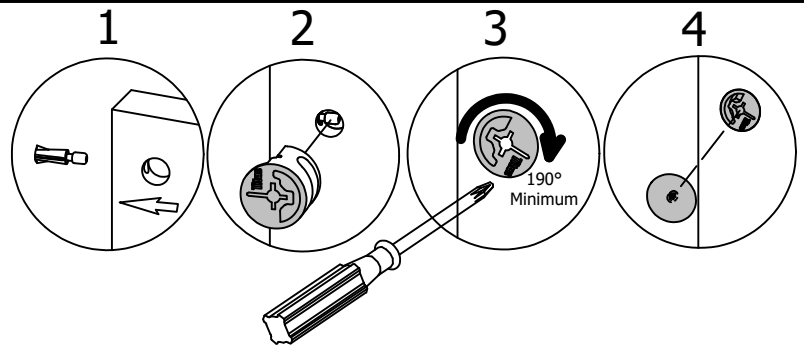
[4]

H73619



Cover Cap

[4]



Have an assembly question or need a replacement part? Just call **1-800-950-4782**, we are here to help.

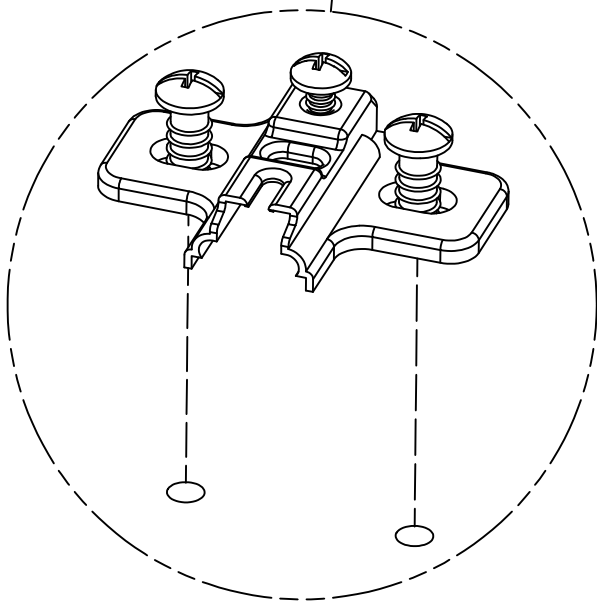
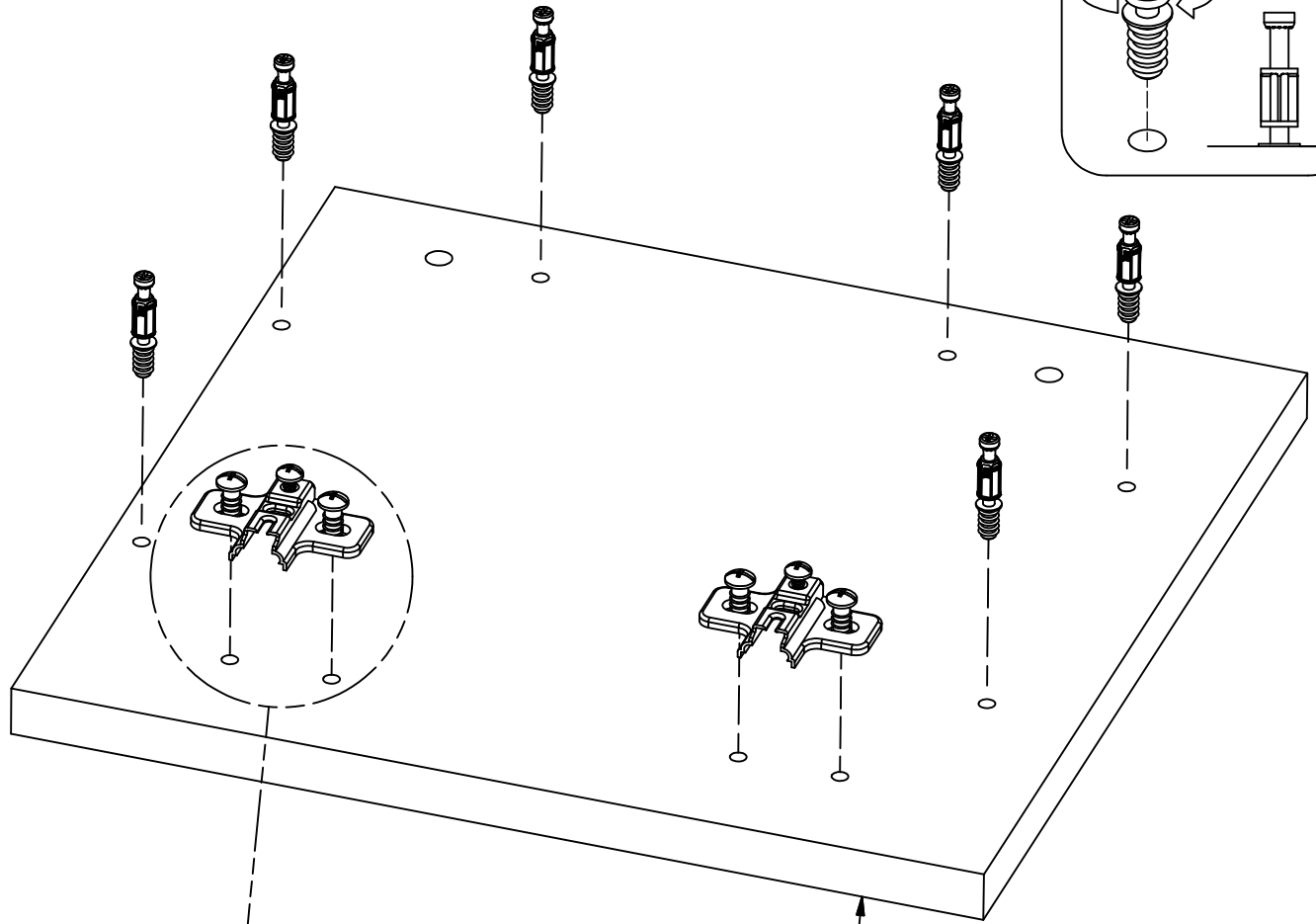
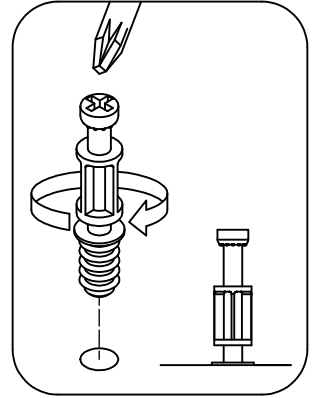
STEP 14

Prepare Panel

A215876

H72988 [6]
KD Bolt

H126758 [2]
Mounting Plate



Have an assembly question or need a replacement part? Just call **1-800-950-4782**, we are here to help.

STEP 15

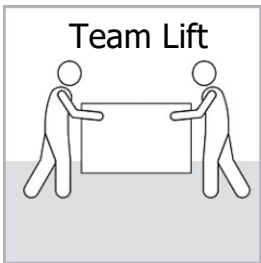
Assemble Panels

A215876

Scan QR Code to Watch Video on:



How to Tighten KD Cams

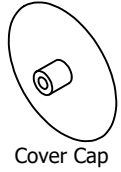


H181468US



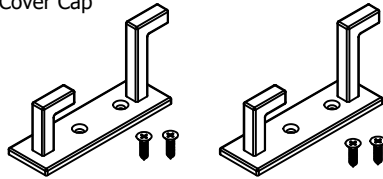
[4]

H73619



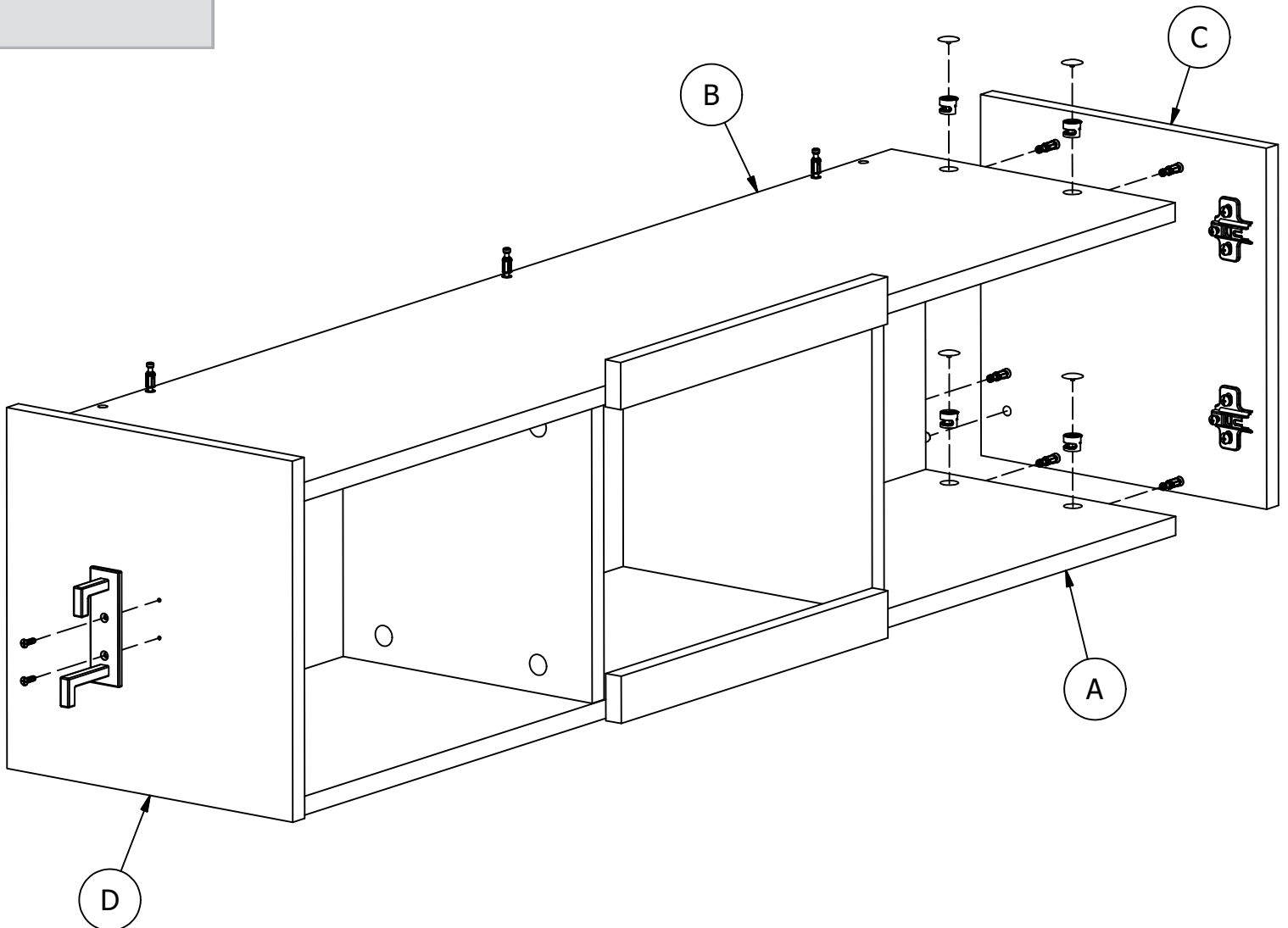
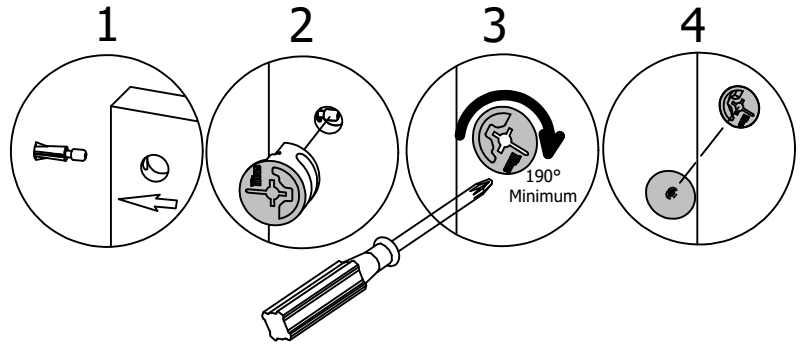
[4]

Q215563



[1]

Coat Hook



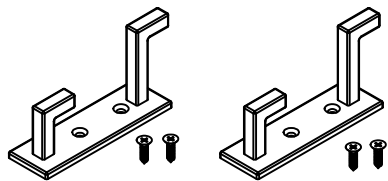
Have an assembly question or need a replacement part? Just call **1-800-950-4782**, we are here to help.

STEP 16

Prepare Panel

A215876

Q215563



Coat Hook

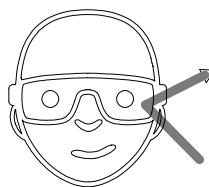
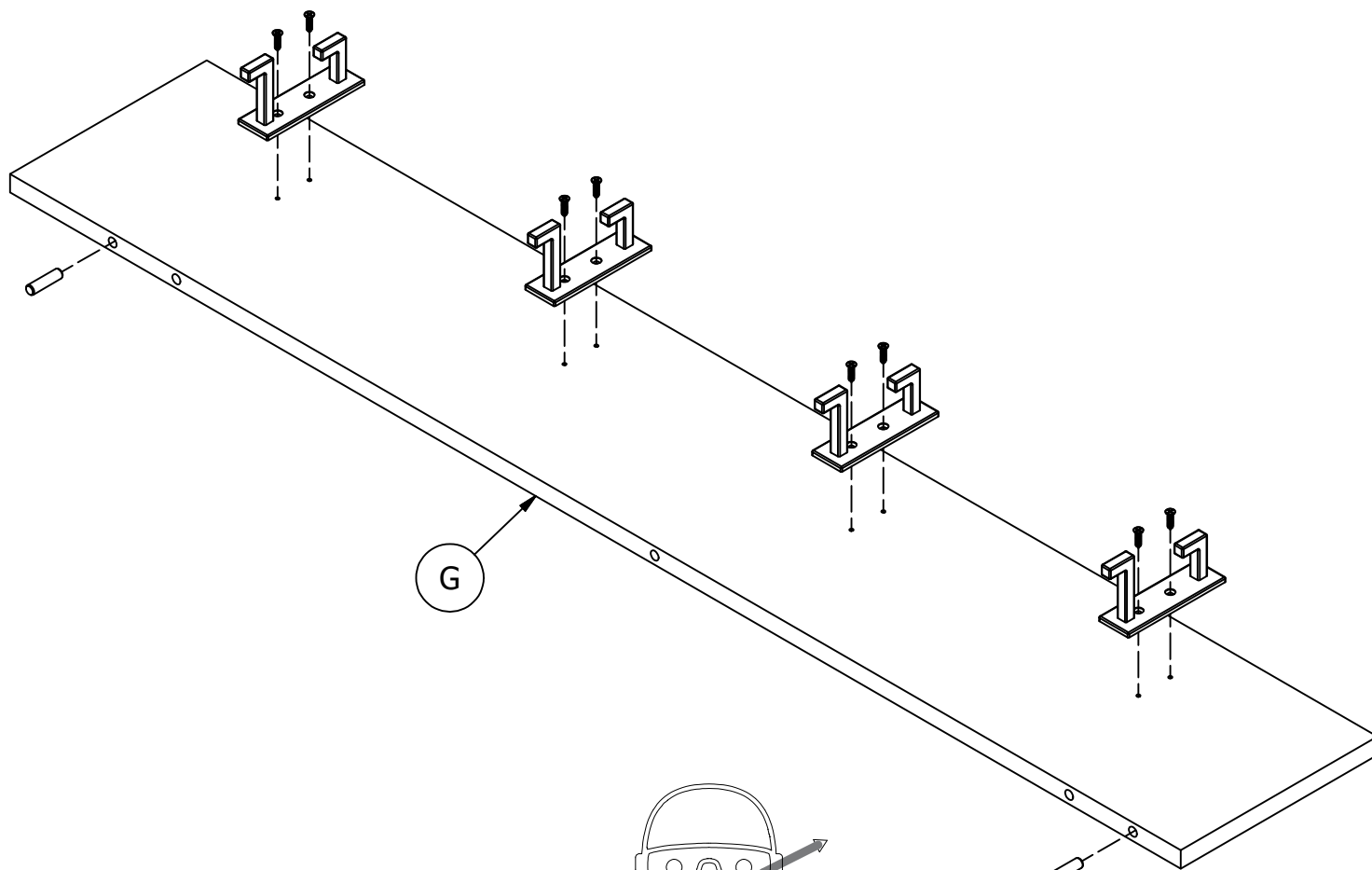
[4]

H38169



Wood Dowel 8 x 30

[2]



Safety glasses
Gafas de seguridad
Lunettes de protection



Have an assembly question or need a replacement part? Just call
1-800-950-4782, we are here to help.

STEP 17

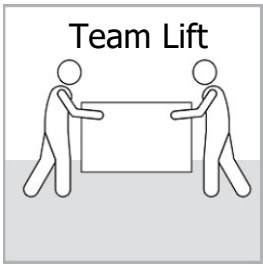
Assemble Panels

A215876

Scan QR Code to Watch Video on:



How to Tighten KD Cams



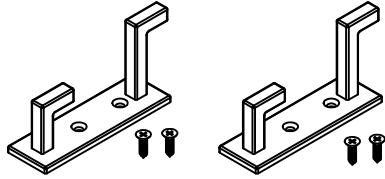
H181468US



KD Cam3000

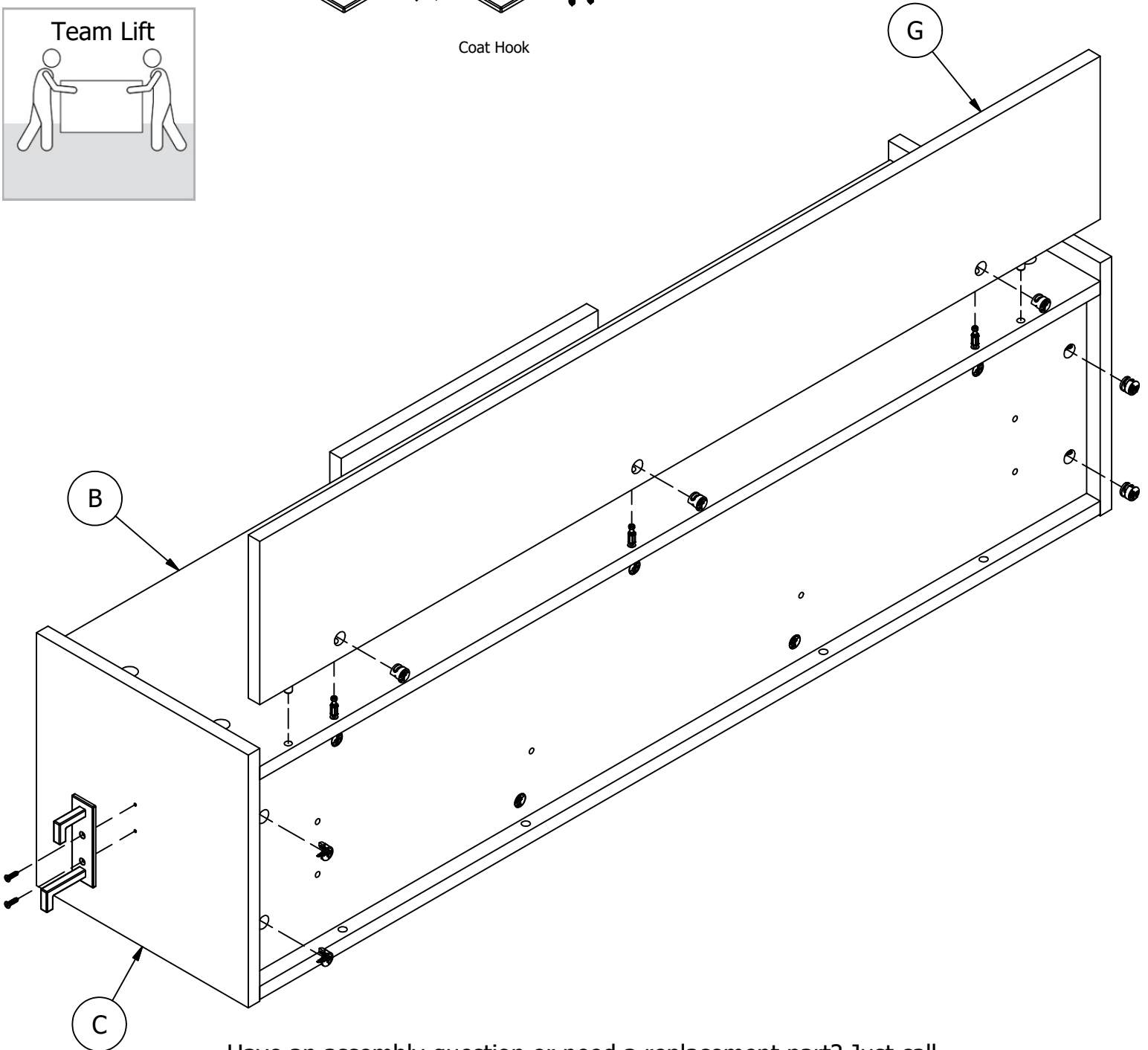
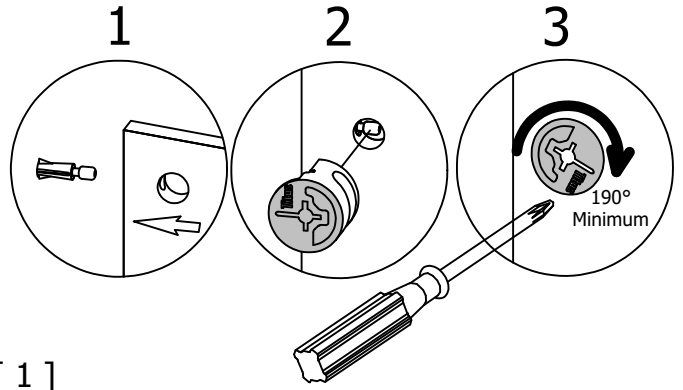
[7]

Q215563



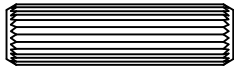
Coat Hook

[1]



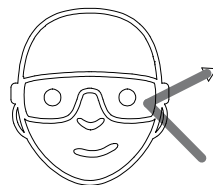
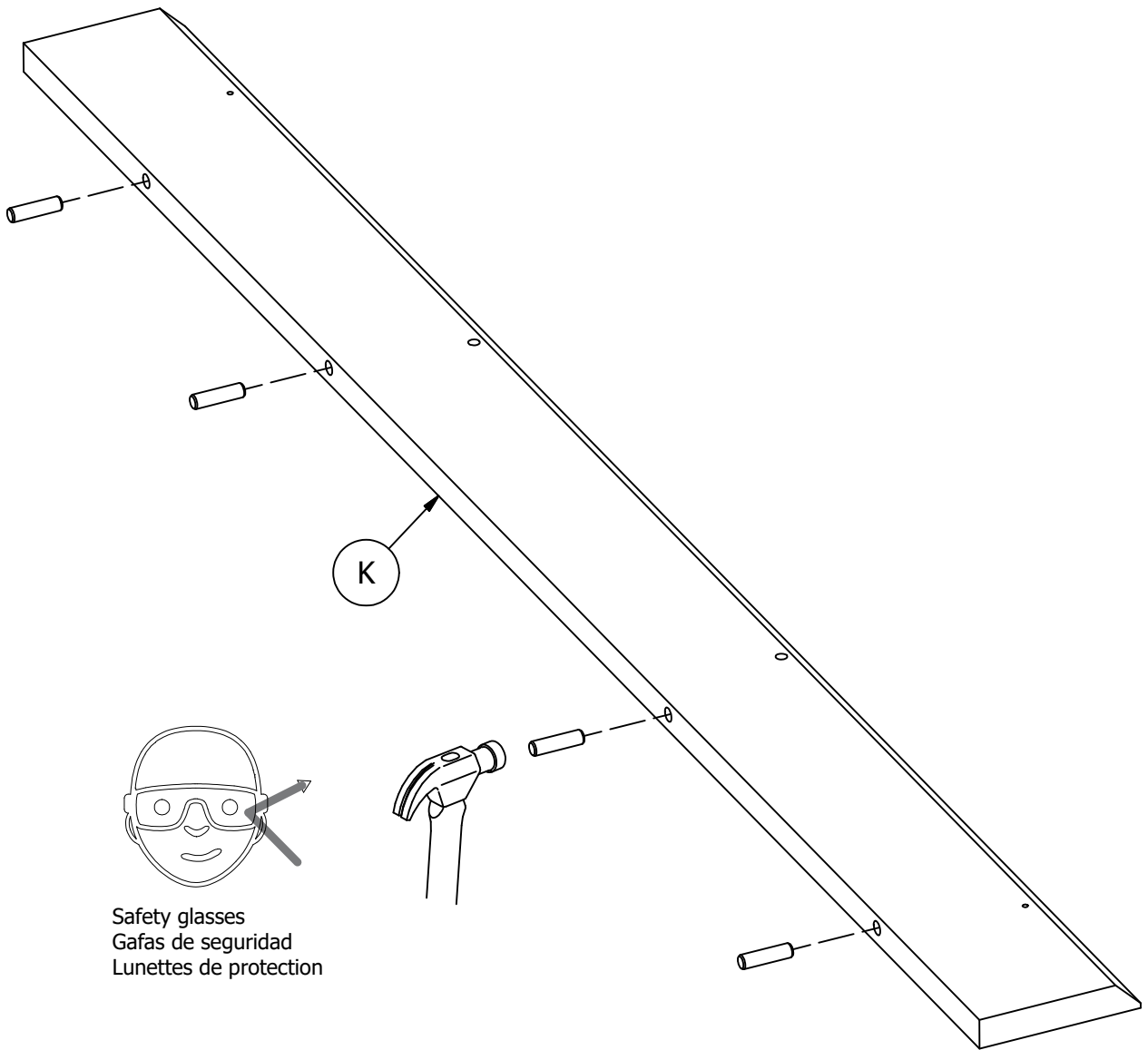
Have an assembly question or need a replacement part? Just call **1-800-950-4782**, we are here to help.

H38169



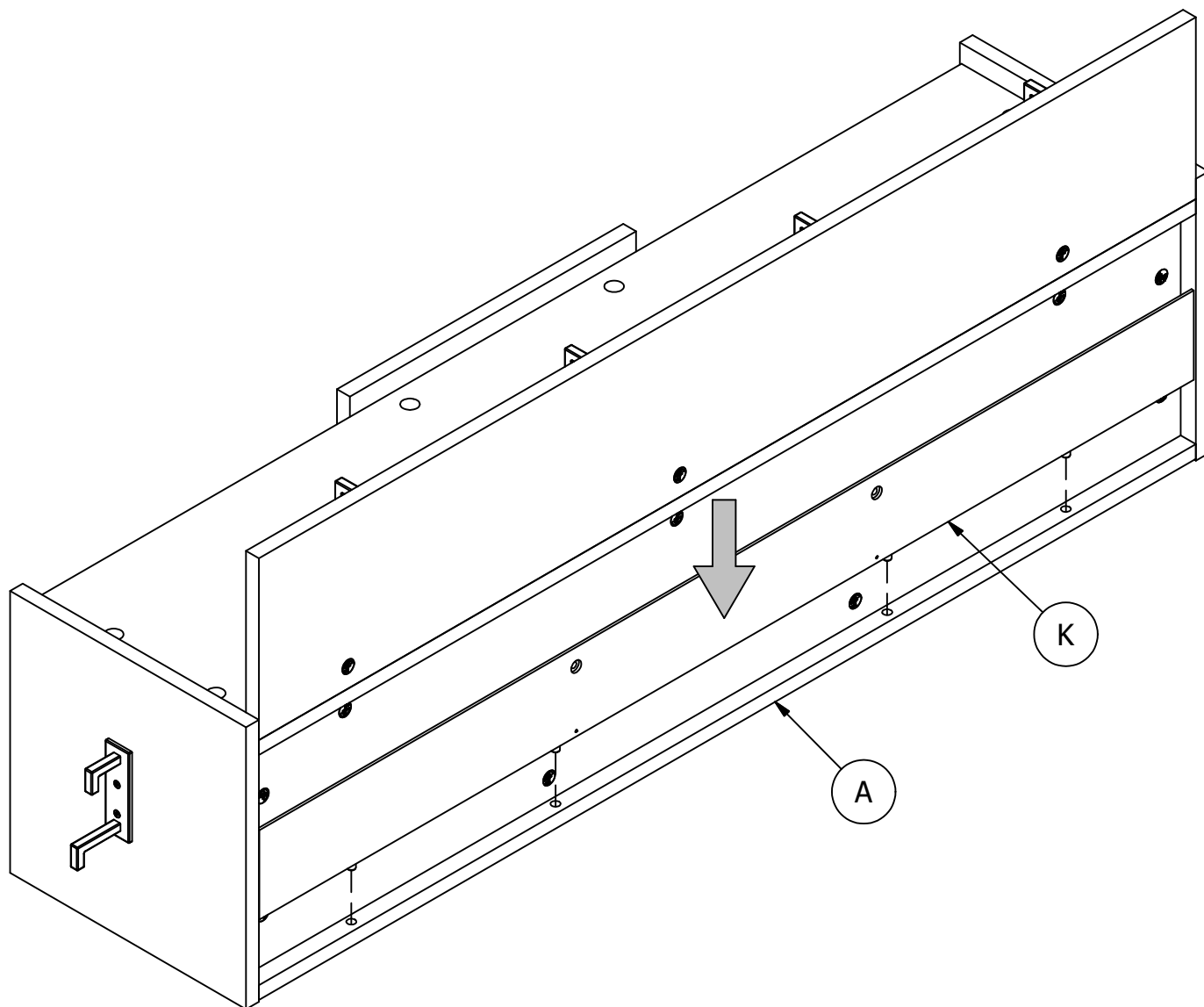
[4]

Wood Dowel 8 x 30



Safety glasses
Gafas de seguridad
Lunettes de protection

Have an assembly question or need a replacement part? Just call
1-800-950-4782, we are here to help.

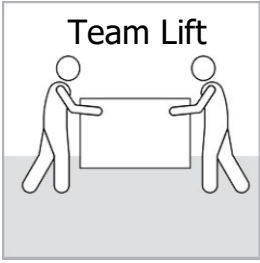


Have an assembly question or need a replacement part? Just call
1-800-950-4782, we are here to help.

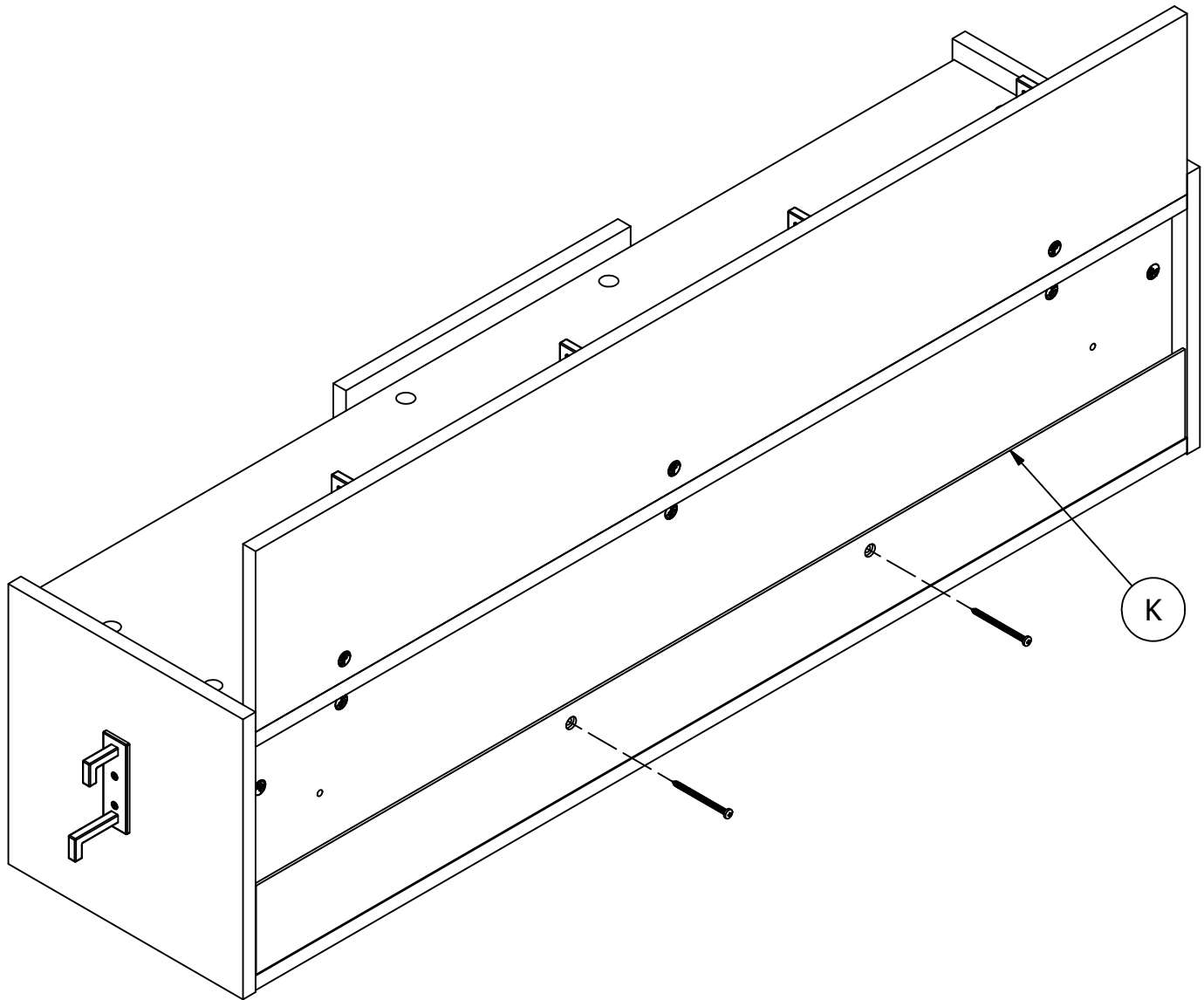
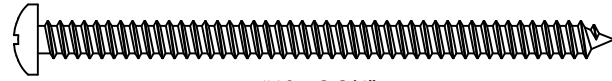
STEP 20

Attach Hardware

A215876

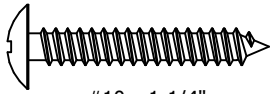


H193671 [2]
#10 x 2-3/4"



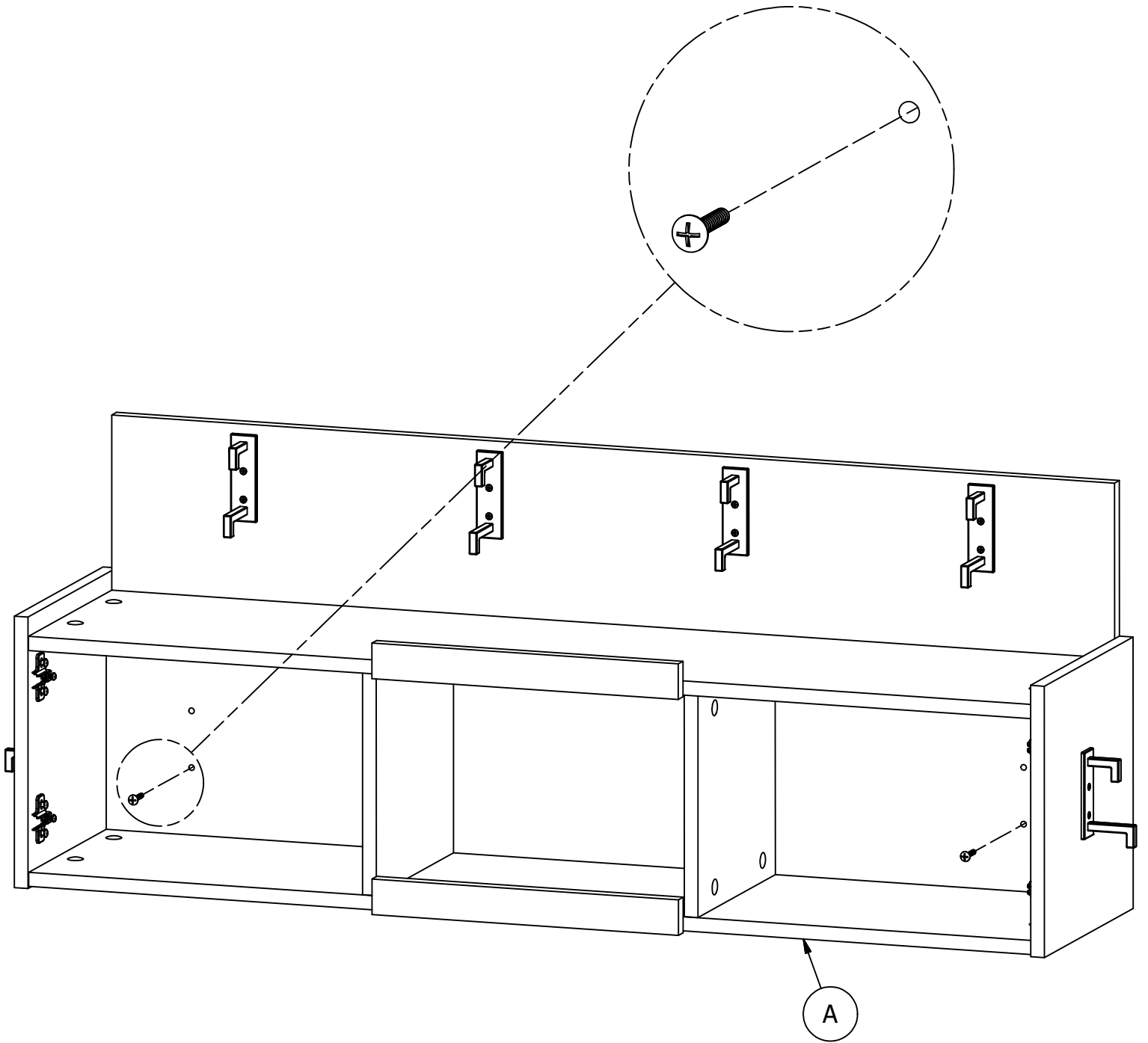
Have an assembly question or need a replacement part? Just call
1-800-950-4782, we are here to help.

H216499



[2]

#10 x 1-1/4"



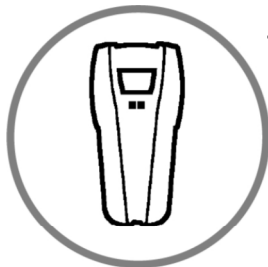
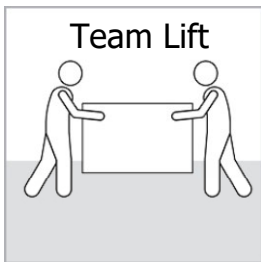
Have an assembly question or need a replacement part? Just call
1-800-950-4782, we are here to help.

Secure unit to wall. Must be attached to 2 wall studs.

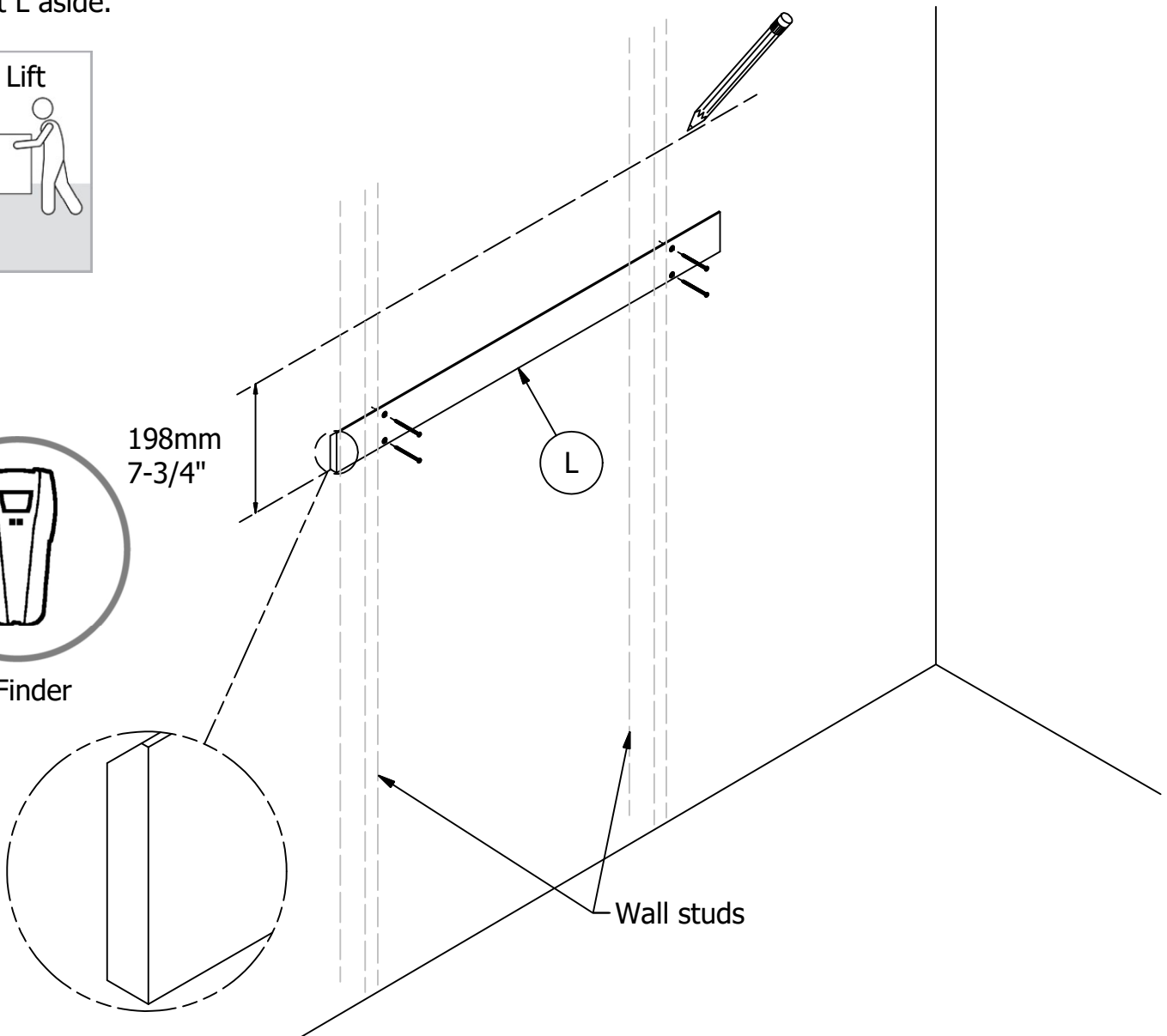
Cabinet is predrilled to attach to 2 wall studs 32" (813mm) apart. If this attachment method is not possible, please consult a professional installer.

Procedure:

1. Place unit in desired location.
2. Locate 2 wall studs 32" (813mm) apart nearest the center of cabinet.
3. Mark level line on wall where top shelf will be located.
4. Measure and mark 7-3/4" (198mm) down from top edge mark.
5. With an assistant align part L bottom edge with mark in step 4. Align holes with center of previously marked wall studs (step 2)
6. Insert H193671 screw into (4) mounting holes and push firmly or tap lightly with hammer to mark for drilling.
7. Set part L aside.



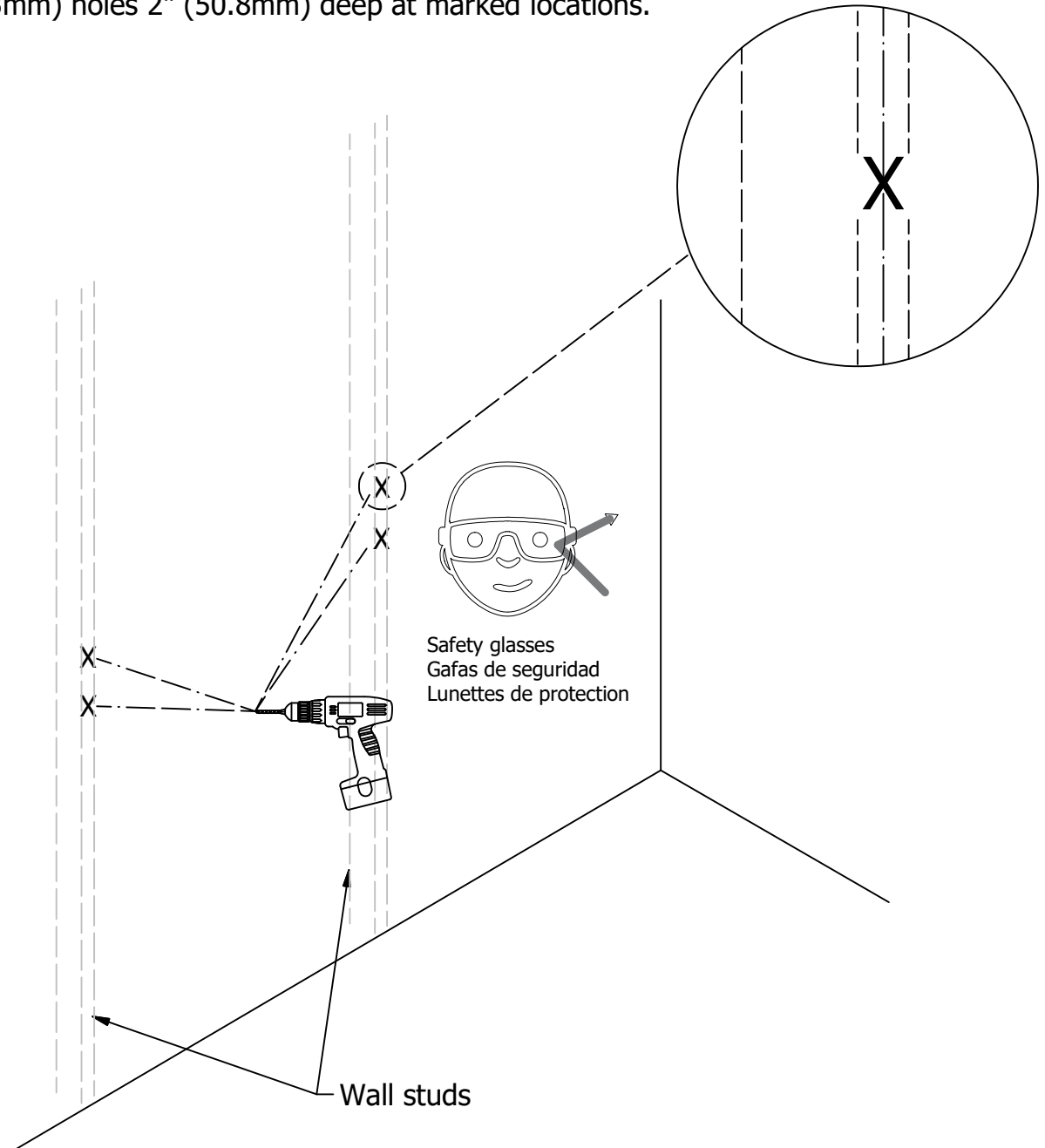
Stud Finder



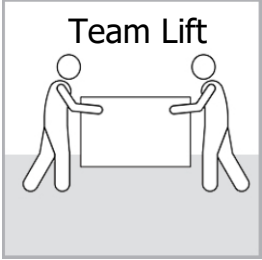
Have an assembly question or need a replacement part? Just call
1-800-950-4782, we are here to help.

NOTE: There may be plumbing- or electrical lines in the wall of residential- and commercial buildings. Care must be taken when drilling into walls. If you are not confident in your installations abilities, please consult an installation professional.

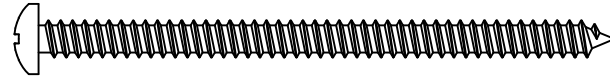
8. Mark wall as shown in sketch below.
9. Drill 4x $\text{\O}1/8''$ (3mm) holes 2" (50.8mm) deep at marked locations.



Have an assembly question or need a replacement part? Just call
1-800-950-4782, we are here to help.



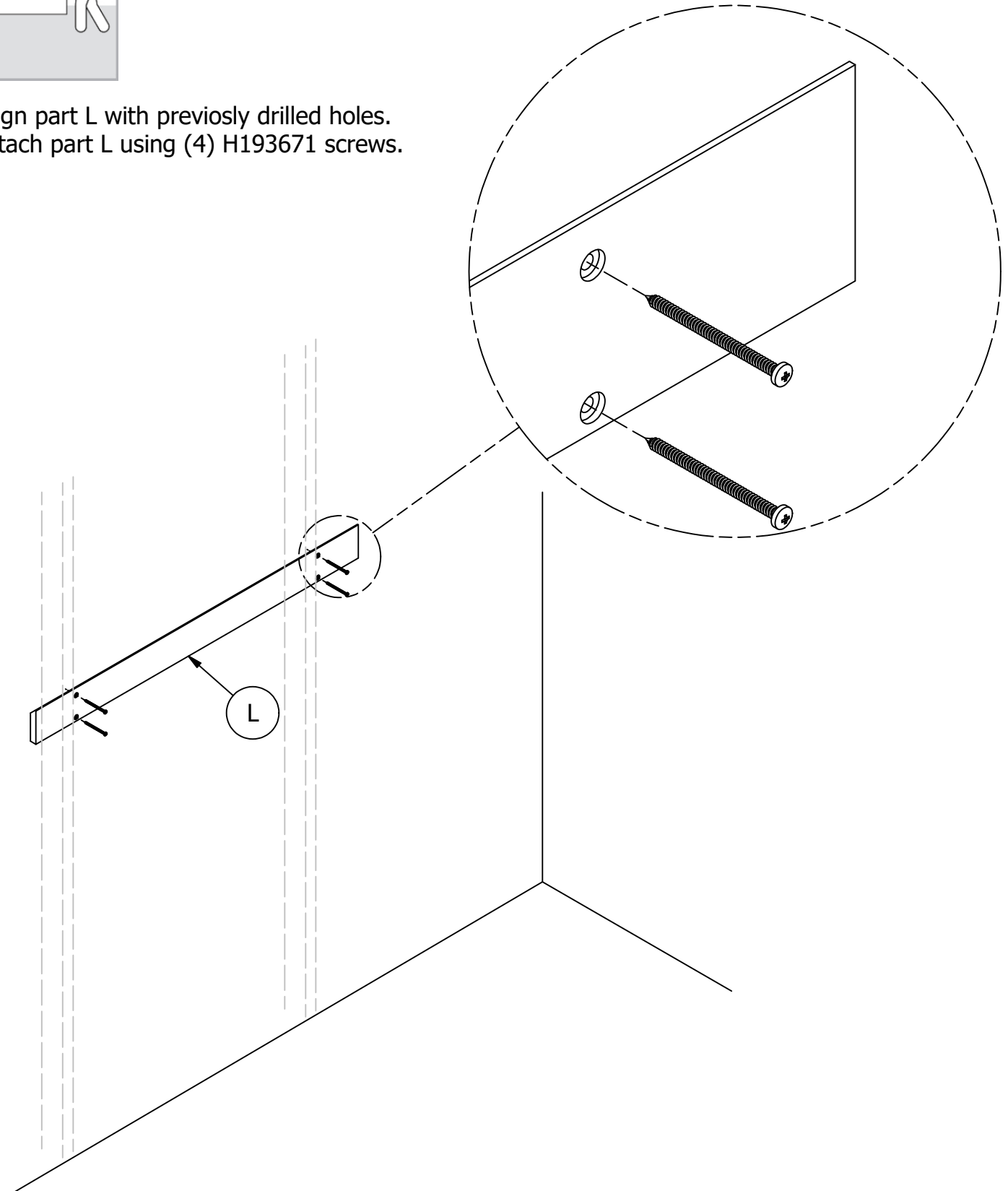
H193671



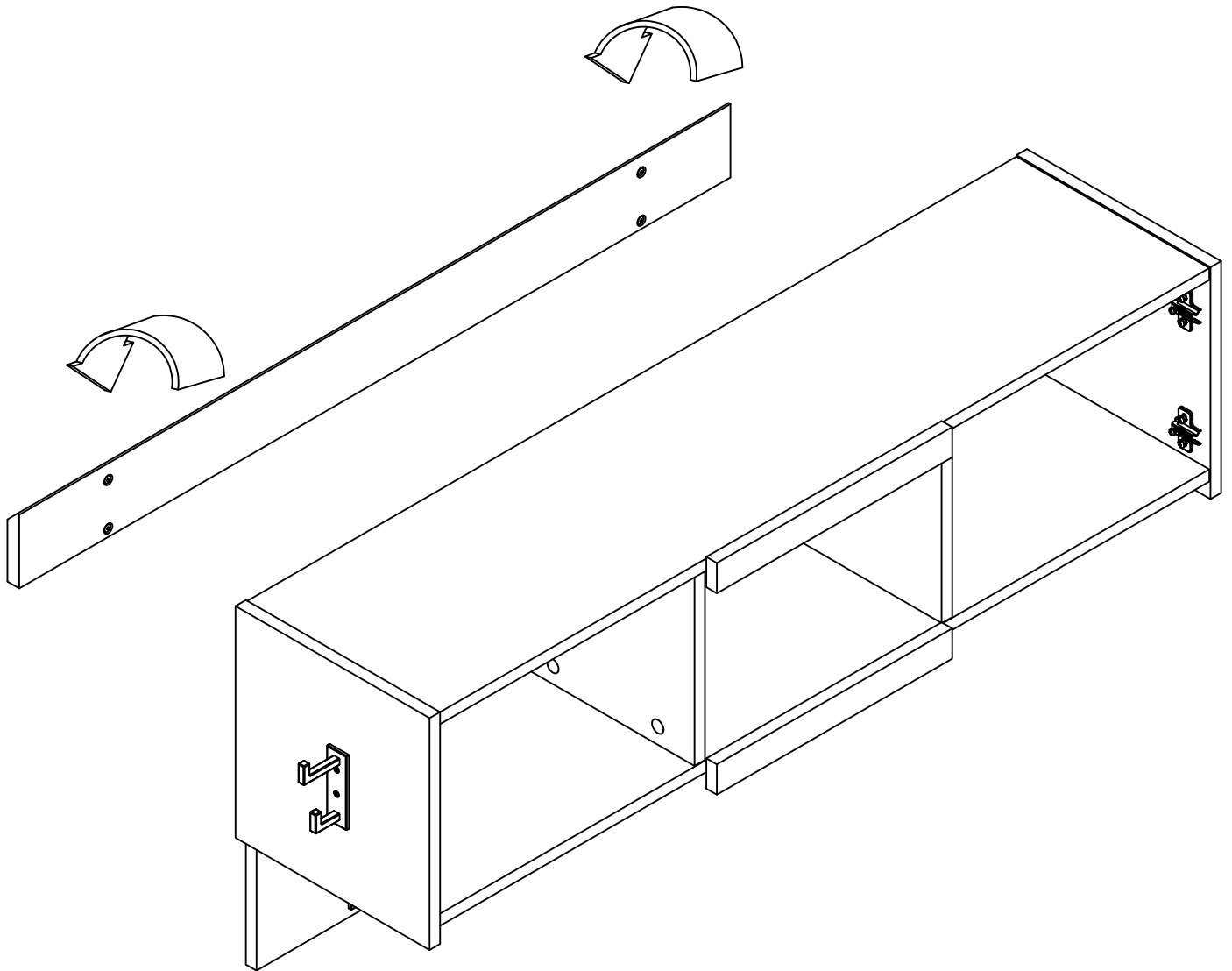
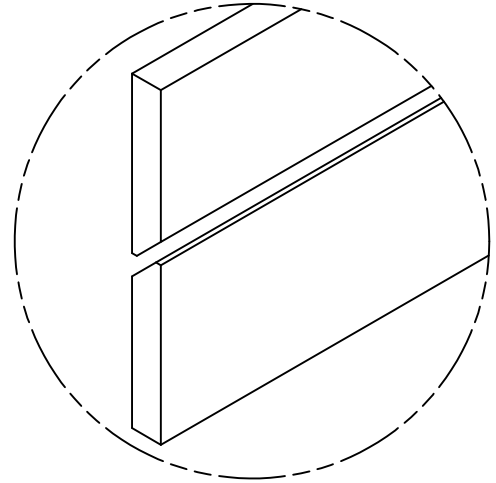
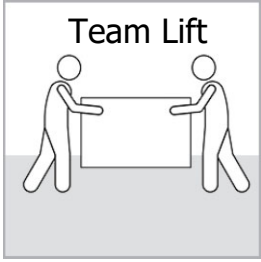
[4]

#10 x 2-3/4"

- 10. Align part L with previously drilled holes.
- 11. Attach part L using (4) H193671 screws.

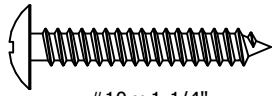


Have an assembly question or need a replacement part? Just call **1-800-950-4782**, we are here to help.



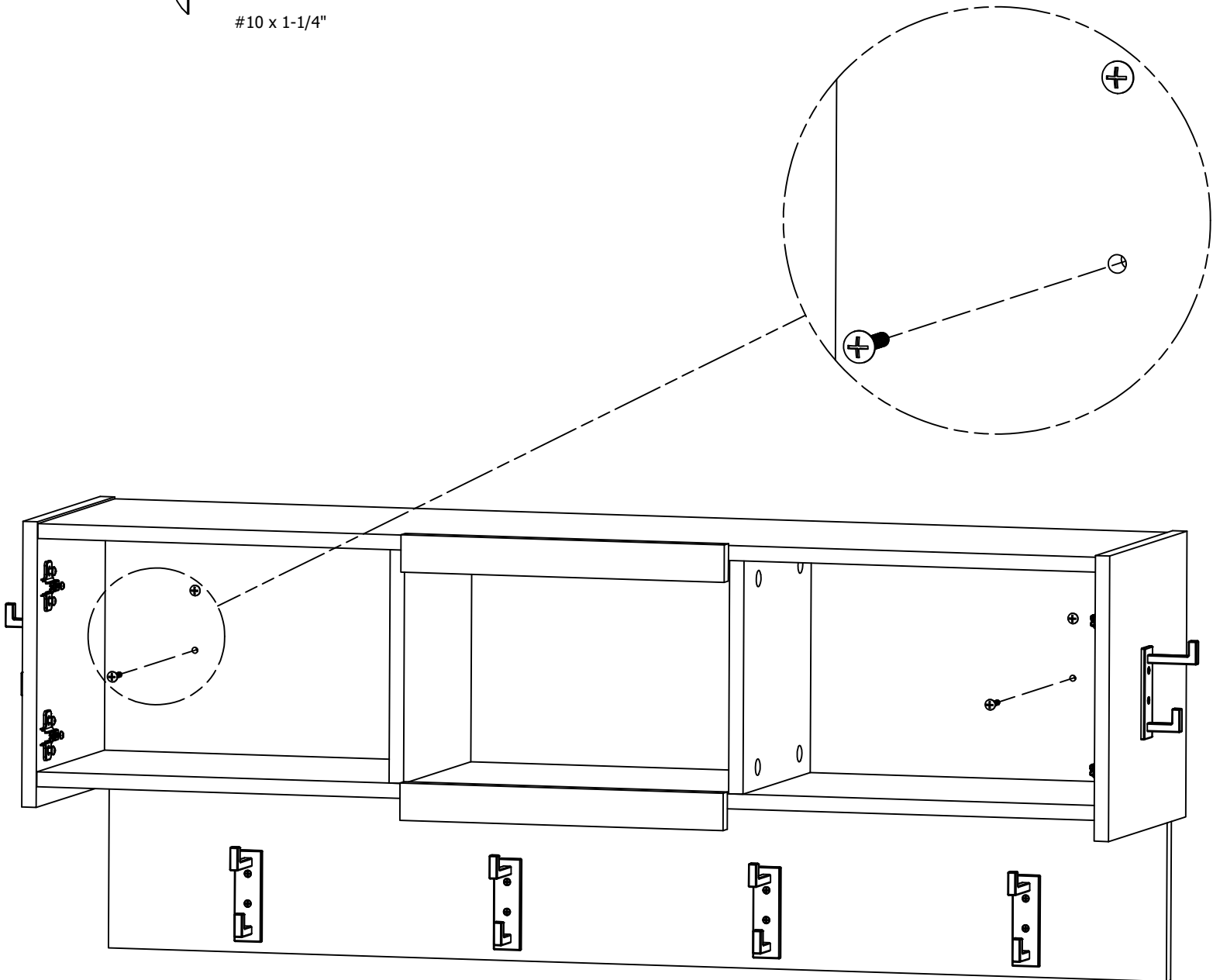
Have an assembly question or need a replacement part? Just call
1-800-950-4782, we are here to help.

H216499



[2]

#10 x 1-1/4"



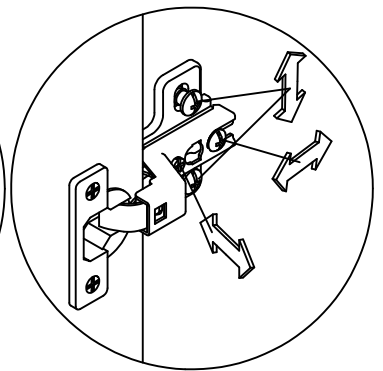
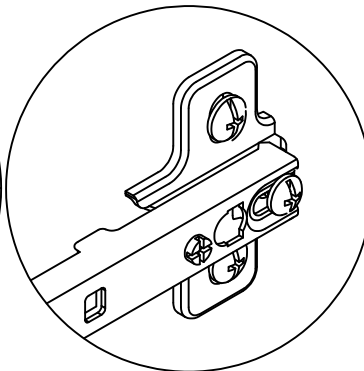
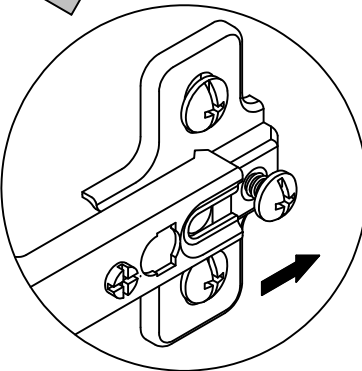
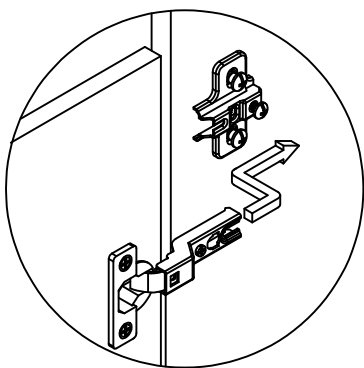
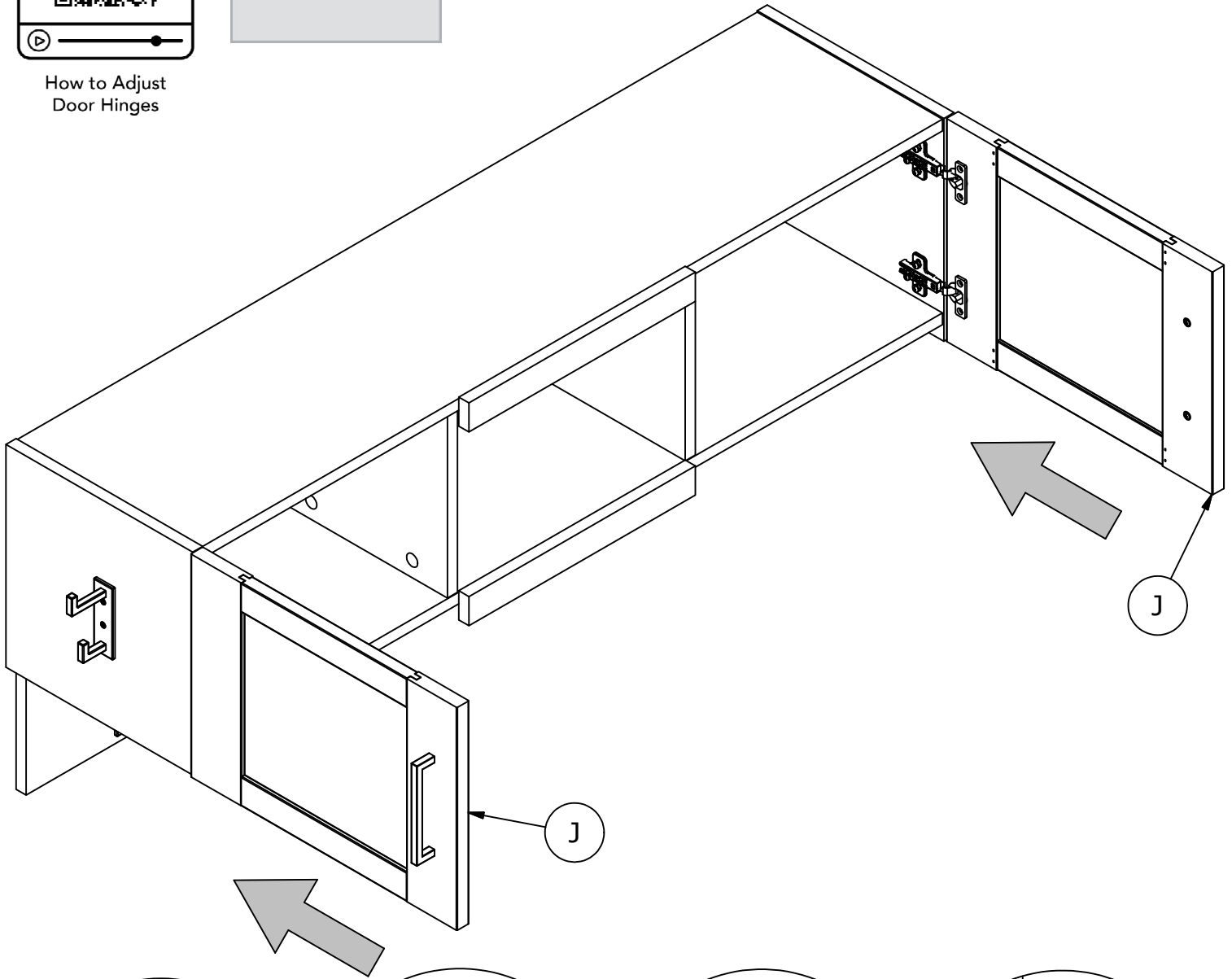
Have an assembly question or need a replacement part? Just call
1-800-950-4782, we are here to help.

Scan QR Code to Watch Video on:



How to Adjust Door Hinges

Team Lift



Have an assembly question or need a replacement part? Just call **1-800-950-4782**, we are here to help.

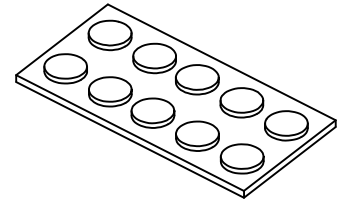
Scan QR Code to Watch Video on:



How to Clean the Surface

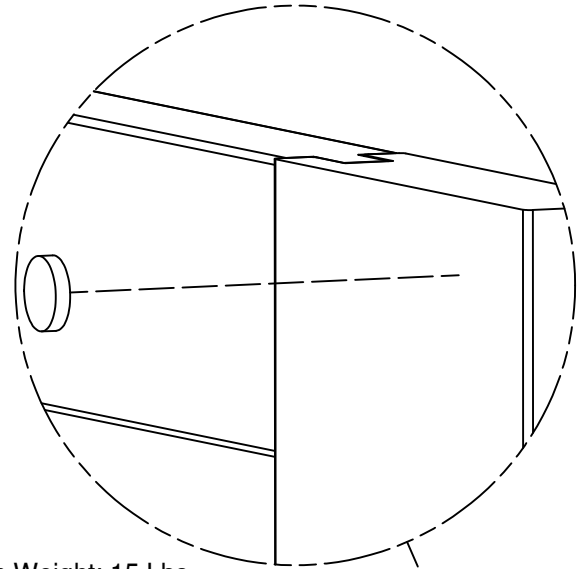
Gently clean surfaces with a damp sponge eraser.

H215406



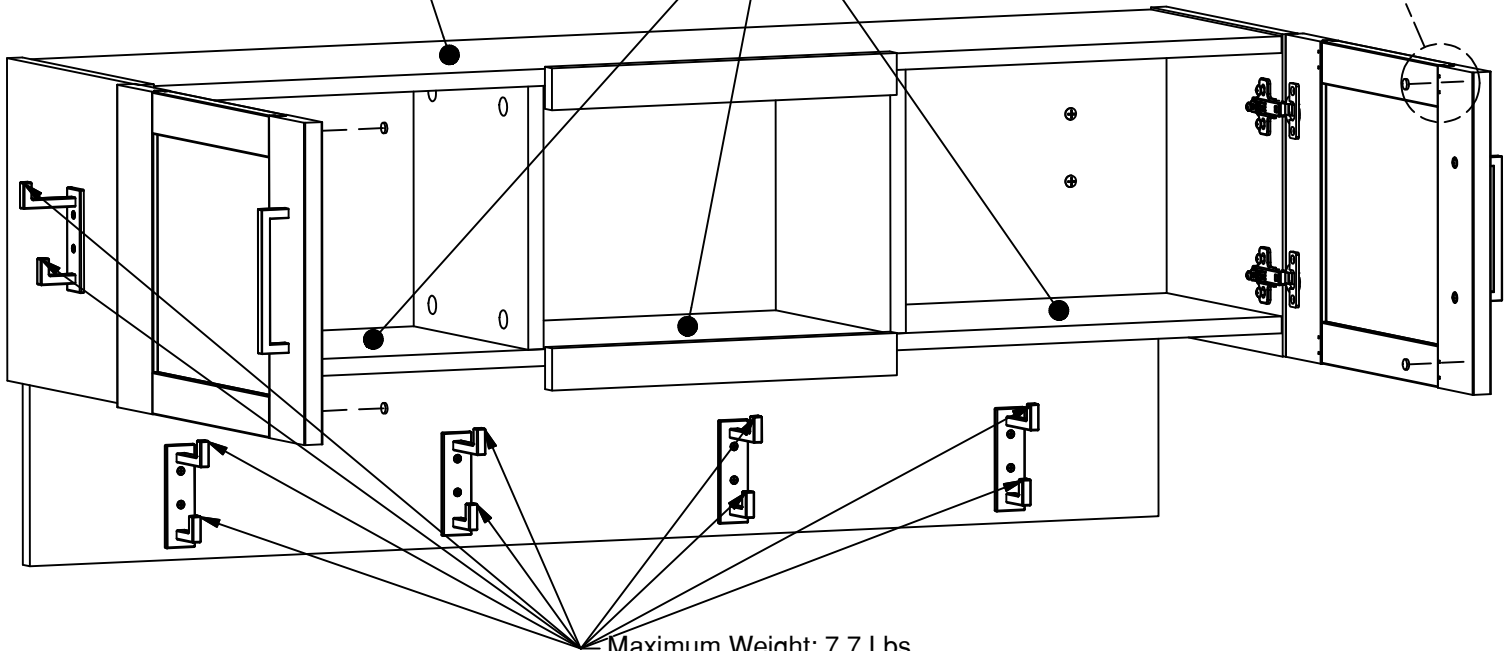
[1]

Bumper (10) per pack



Maximum Weight: 0 Lbs.
Peso Máximo: 0 Libras
Poids Maximum: 0 kilogramme

Maximum Weight: 15 Lbs.
Peso Máximo: 15 Libras
Poids Maximum: 6.7 kilogramme



Maximum Weight: 7.7 Lbs.
Peso Máximo: 7.7 Libras
Poids Maximum: 3.4 kilogramme

Congratulations! You are all done. If you have any questions or concerns, please call.

Have an assembly question or need a replacement part? Just call **1-800-950-4782**, we are here to help.

HHH348WH

LABEL	QTY	NUMBER	DESCRIPTION
A	1	W215877	TOP SHELF
B	1	W215878	FIXED SHELF
C	1	W215879	LEFT SIDE PANEL
D	1	W215880	RIGHT SIDE PANEL
E	2	W215881	DIVIDER
F	1	W215882	BACK PANEL
G	1	W215883	LOWER BACK PANEL
I	2	W215884	FIXED SHELF RAIL
J	2	S215885	DOOR
K	1	W216420	Cabinet Cleat
L	1	W216421	Wall Cleat

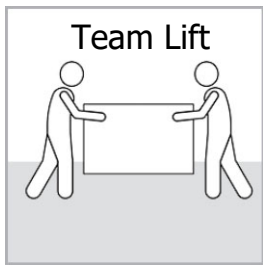
Have an assembly question or need a replacement part? Just call
1-800-950-4782, we are here to help.

El armario está pretaladrado para fijarse a 2 montantes de pared separados 32" (813mm).

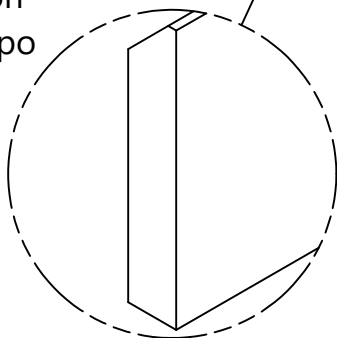
Si este método de fijación no es posible, consulte a un instalador profesional.

Procedimiento:

1. Coloque la unidad en la ubicación deseada.
2. Ubique 2 montantes de pared a 32" (813mm) de distancia más cercanos al centro del gabinete.
3. Marque la línea de nivel en la pared donde se ubicará el estante superior.
4. Mida y marque 7-3/4" (198mm) hacia abajo desde la marca del borde superior.
5. Con un ayudante, alinee la parte L del borde inferior con la marca del paso 4. Alinee los agujeros con el centro de montantes de la pared previamente marcados (paso 2)
6. Inserte el tornillo H193671 en los (4) orificios de montaje y presione firmemente o golpee ligeramente con un martillo para marcar para taladrar.
7. Ponga la parte L a un lado.



Elevación
de equipo



198mm
7-3/4"

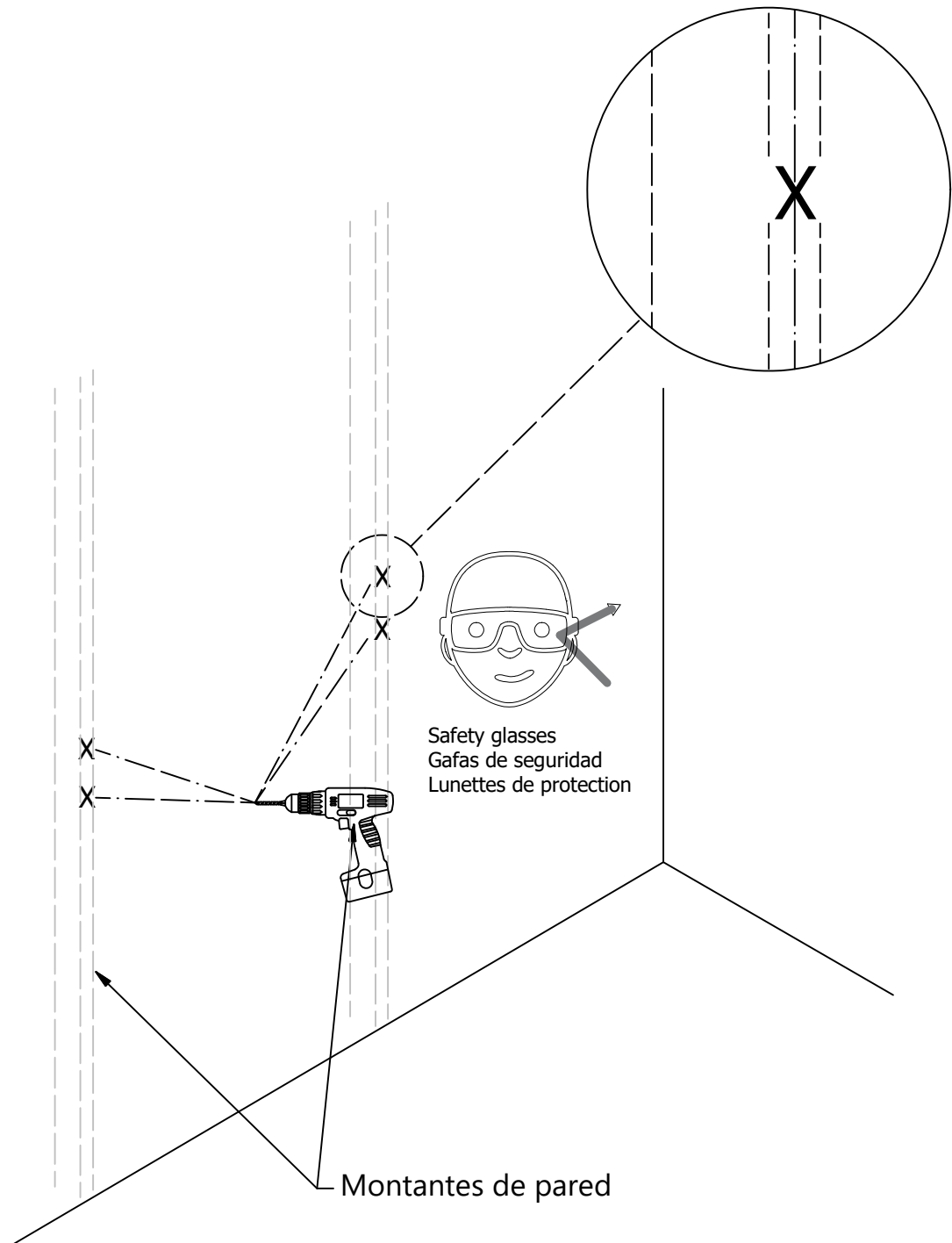
L

Montantes de pared

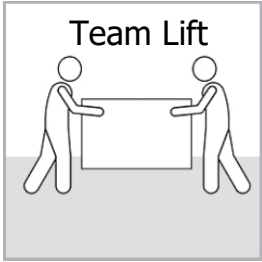
Have an assembly question or need a replacement part? Just call
1-800-950-4782, we are here to help.

NOTA: En las paredes de edificios residenciales y comerciales puede haber conductos de fontanería o eléctricos. Se debe tener cuidado al taladrar en las paredes. Si no está seguro de sus habilidades de instalación, consulte a un instalador profesional.

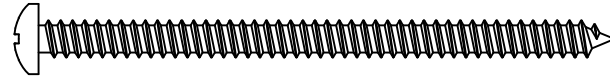
8. Marque la pared como se muestra en el croquis de abajo.
9. Taladre 4 agujeros de $\text{Ø}1/8"$ (3 mm) y 2" 950.8mm) de profundidad en los puntos marcados.



Have an assembly question or need a replacement part? Just call
1-800-950-4782, we are here to help.



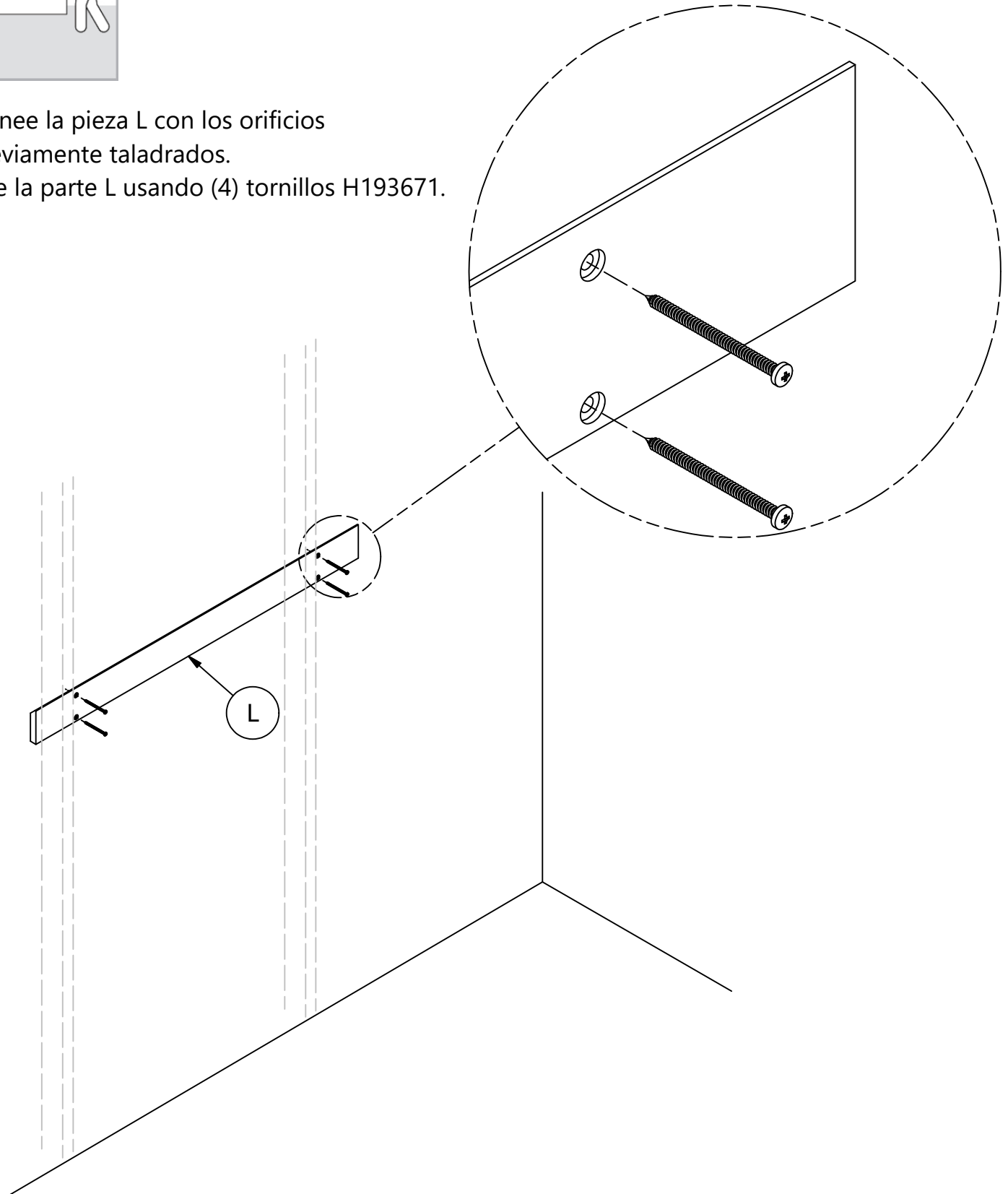
H193671



[4]

#10 x 2-3/4"

10. Alinee la pieza L con los orificios previamente taladrados.
11. Fije la parte L usando (4) tornillos H193671.



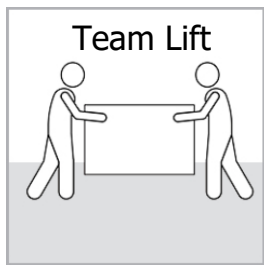
Have an assembly question or need a replacement part? Just call
1-800-950-4782, we are here to help.

Fixation de l'armoire au mur. Elle doit être fixée à 2 montants muraux.

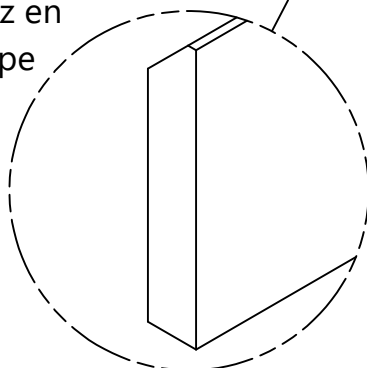
L'armoire est pré-percée pour être fixée à 2 montants muraux espacés de 32" (813 mm). Si cette méthode de fixation n'est pas possible, veuillez consulter un installateur professionnel.

Procédure à suivre :

1. Placez l'armoire à l'endroit souhaité.
2. Repérez 2 montants muraux à 32" (813 mm) de distance, le plus près possible du centre de l'armoire.
3. Tracez une ligne de niveau sur le mur à l'emplacement de l'étagère supérieure.
4. Mesurez et marquez 7-3/4" (198 mm) à partir de la marque du bord supérieur.
5. Avec l'aide d'un assistant, alignez la partie L du bord inférieur avec la marque de l'étape 4. Alignez les trous avec le centre des montants muraux marqués précédemment (étape 2)
6. Insérez la vis H193671 dans les (4) trous de montage et poussez fermement ou frappez légèrement avec un marteau pour marquer les trous pour le perçage.
7. Mettre la partie L de côté.



Levez en
équipe



198mm
7-3/4"

L

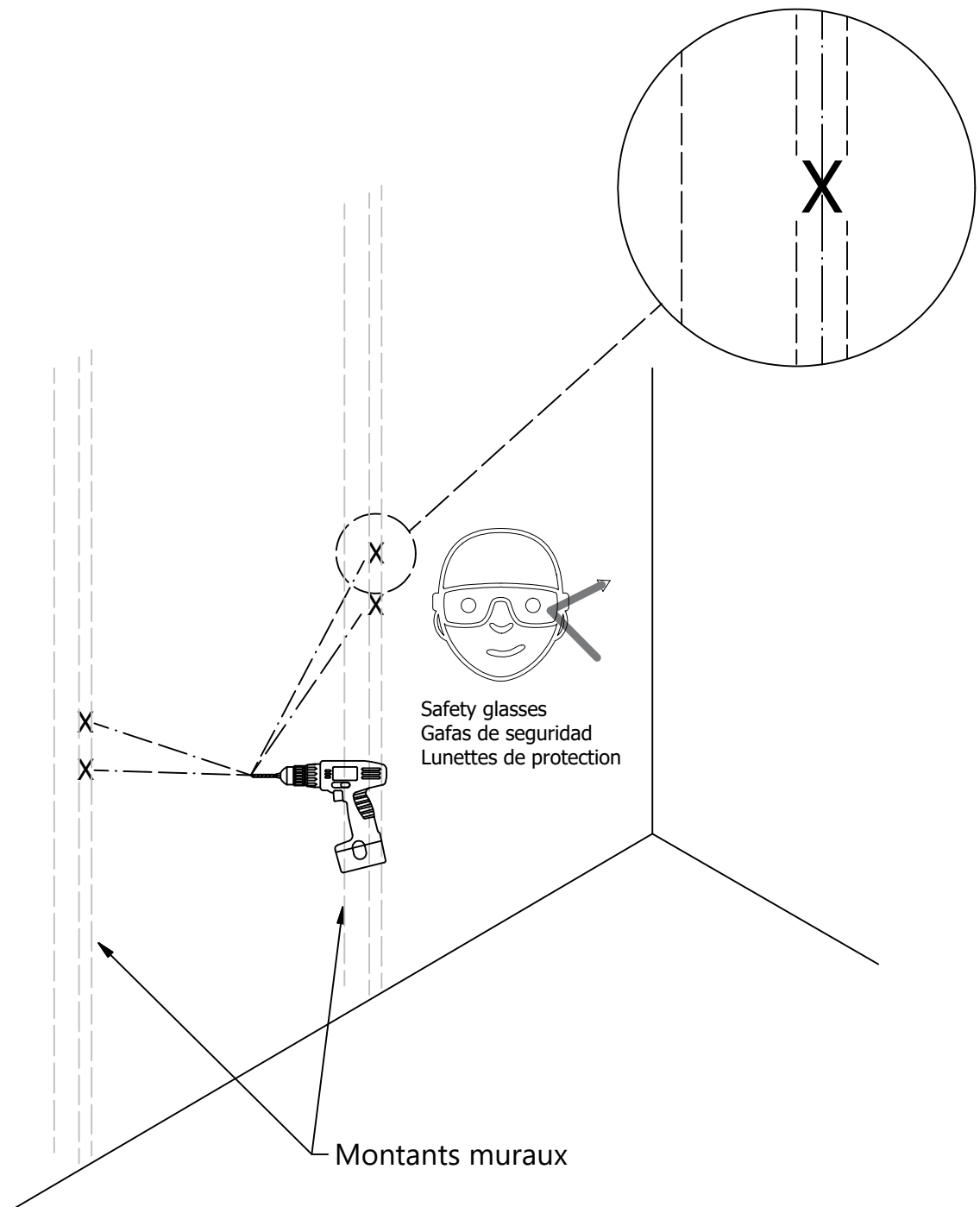
Montants muraux

Have an assembly question or need a replacement part? Just call
1-800-950-4782, we are here to help.

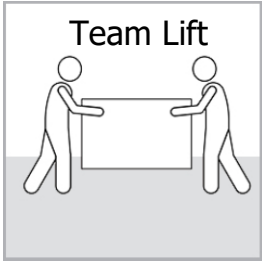
Il peut y avoir des conduites de plomberie ou d'électricité dans les murs des bâtiments résidentiels et commerciaux. Des précautions doivent être prises lors du perçage des murs. Si vous n'êtes pas confiant de vos capacités d'installation, veuillez consulter un professionnel de l'installation.

8. Marquez le mur comme indiqué sur le croquis ci-dessous.

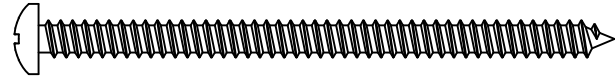
9. Percez 4x trous de $\text{Ø}1/8''$ (3mm) d'une profondeur de 2" (50.8mm) aux endroits marqués.



Have an assembly question or need a replacement part? Just call
1-800-950-4782, we are here to help.



H193671

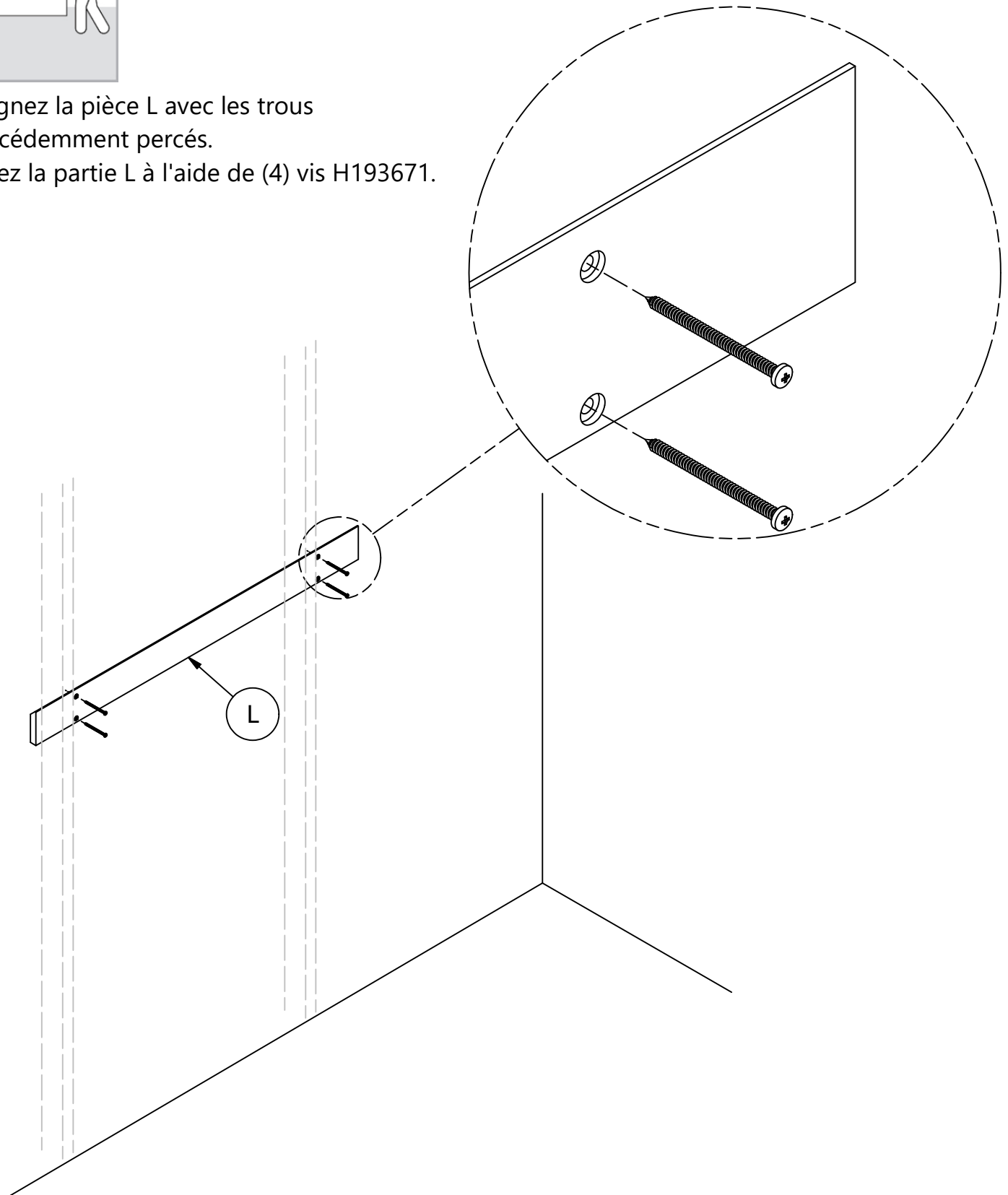


[4]

#10 x 2-3/4"

10. Alignez la pièce L avec les trous précédemment percés.

11. Fixez la partie L à l'aide de (4) vis H193671.



Have an assembly question or need a replacement part? Just call
1-800-950-4782, we are here to help.