

KALLISTA®

One™ by KALLISTA
Single-control sink faucet
P24409-00

Features

- A selection of products within this collection is in stock and ready to ship. Please visit kallista.com/resources/#ReadyToShip for the complete list of Ready-to-Ship products and finishes
- High-quality solid-brass construction for durability and reliability
- Single-hole installation
- 1.2 gpm (4.5 lpm) maximum flow rate
- Spout reach is 6-3/8" (162 mm)
- Includes soft-touch drain
- Dual application allows for bathroom use or as bar faucet

Recommended Products/Accessories

P74234-WO Under-mount Sink, Soft Rectangle with Overflow, Glazed
P24491-CR Sink Faucet, Low Spout, Cross Handles
P34401-00 Towel Bar, 24"
P34407-00 Disc Hook



ADA **CSA B651** **OBC**

Codes/Standards

ASME A112.18.1/CSA B125.1
NSF/ANSI/CAN 61
NSF/ANSI/CAN 372
DOE - Energy Policy Act 1992
EPA WaterSense®
California Energy Commission (CEC)
ADA
ICC/ANSI A117.1
CSA B651
OBC

KALLISTA® Five-Year Limited Warranty

See website for detailed warranty information.

Available Colors/Finishes

Color tiles intended for reference only.

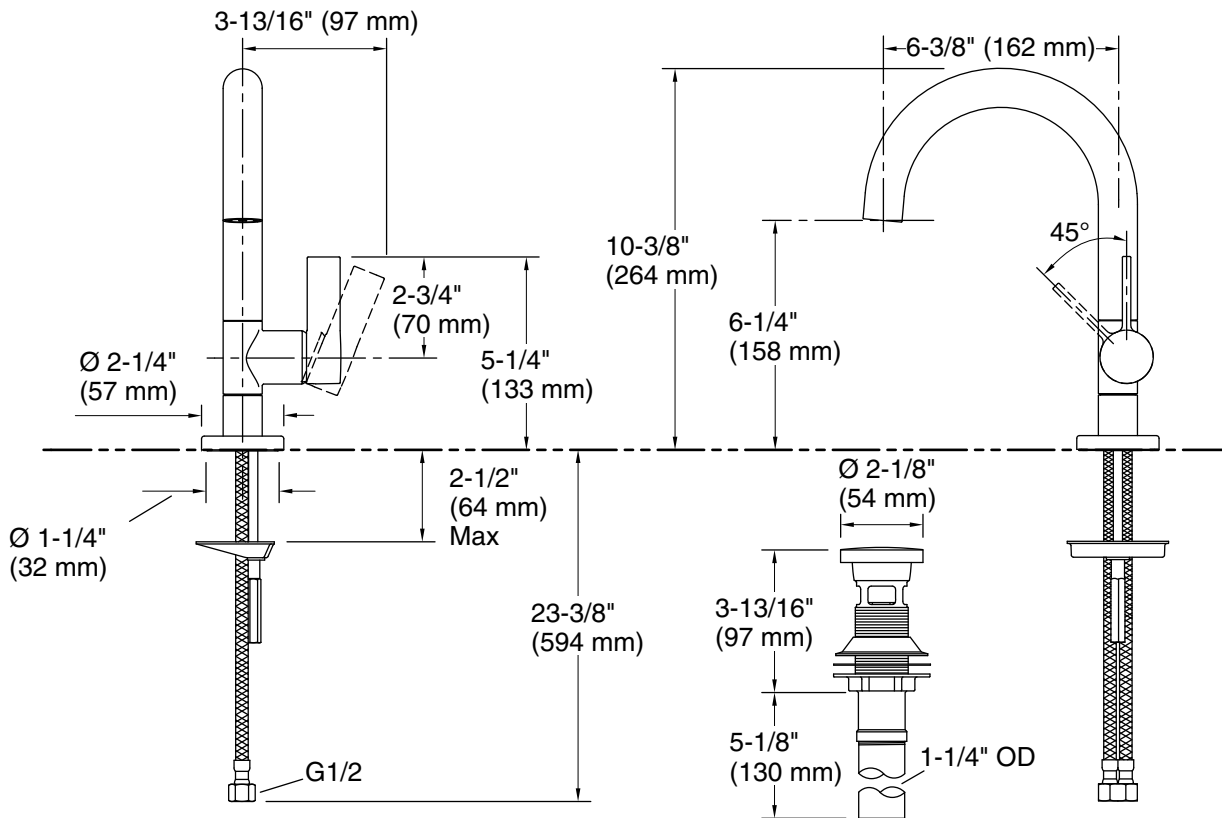
| Color | Code | Description |
|---|------|---------------------|
|  | AD | Nickel Silver |
|  | CP | Polished Chrome |
|  | AG | Brushed Nickel |
|  | GN | Gunmetal |
|  | BL | Matte Black |
|  | ULB | Unlacquered Brass |
|  | BAF | Brushed French Gold |

1-888-4-KALLISTA (1-888-452-5547)

Kallista reserves the right to make revisions without notice to product specifications.

For the most current Specification Sheet, go to www.kallista.com.

5-8-2025 19:55 - US



Technical Information

All product dimensions are nominal.

Faucet flow rate: 1.2 gal/min (4.5 l/min)

Drain included: Yes

Drain with overflow: Yes

Spout:

Spout reach: 6-3/8" (162 mm)

Pressure/fixture Supply Requirements

Min flow rate: 1.2 gpm (4.5 lpm)

Notes

ADA, OBC, CSA B651 compliant when installed to the specific requirements of these regulations.