



SKU# NB19839, NB19840

MONTAUK OVAL 52-IN DEEP HYBRID POOL WITH 7-IN TOP RAIL INSTRUCTION MANUAL



Questions, problems, missing parts?

Before returning to your retailer, call our Consumer Hotline at 1-800-759-0977,
Monday – Friday. 8am – 5pm (CST)

TABLE OF CONTENTS

THANK YOU!	3
SAFETY INFORMATION	3
IMPORTANT SAFETY INSTRUCTIONS	4
GENERAL WATER SAFETY	5
ADDITIONAL POOL AND WATER SAFETY GUIDELINES	6
MONTAUK OVAL STYLE POOL - PARTS LIST	7
SELECTING A SUITABLE SITE.....	9
POOL SETUP.....	10
LEVELING THE AREA	11
POOL WALL AND SIDE FRAME SUPPORT ASSEMBLY	12
POOL WALL RAIL AND RAIL CONNECTOR SETUP.....	13
MEASURING THE LEVEL AND SHAPE OF THE POOL WALL.....	16
PROTECTIVE SAND CUSHION.....	17
INSTALLING THE POOL LINER.....	18
INSTALLING THE TOP AND SIDE METAL PLATE	20
INSTALLING THE CURVED AND STRAIGHT SIDE TOP	21
INSTALLING THE CURVED AND STRAIGHT SIDE TOP LEDGE	22
ASSEMBLY OF THE VERTICAL SUPPORTS	22
CHECKING ALL CONNECTIONS AND JOINTS	24
INSTALLING THE SKIMMER.....	24
INSTALLATION OF THE FILTRATION SYSTEM.....	24
FILLING THE POOL WITH WATER.....	25
SAFETY WARNINGS	26
POOL MAINTENANCE.....	27
MONTAUK POOL WARRANTY	28

THANK YOU!

Thank you for purchasing this product. We work around the clock and around the globe to ensure that our products maintain the highest possible quality. However, in the rare case of issues during assembly or use of this product, please contact our **Consumer Hotline at 800-759-0977** for immediate assistance before contacting your retailer. Please read the warranty information at the back of these assembly instructions for further details.

SAFETY INFORMATION

Please read this entire manual before attempting to assemble, operate, or install the product.



IMPORTANT SAFETY INSTRUCTIONS

Please examine equipment before use. If there are any damaged or missing parts at the time of purchase, do not assemble or operate until parts are replaced.

To lessen the risk of serious injury or death, follow these rules.

The following instructions contain important safety information, please read these important safety instructions and abide by them when installing and using this pool. When installing and using the electrical equipment, basic safety precautions must always be followed.

This includes the following:

WARNING!

Children have drowned in swimming pools.

Ensure active adult supervision at all times. Do not leave children unsupervised in or around the pool. Keep them within arms reach.

WARNING: Consult local municipality, water authority, and building codes in regard to the use of water and/ or water restrictions relating to this product.

WARNING: Pool fencing laws affect this product, consult the local municipality for applicable building codes. Abide by state and federal law requirements such as fencing, enclosures, childproof gates, etc.

WARNING: Always remove pool ladder when not in use. Store in a place where it is not accessible to children.

DANGER: Prevent the risk of accidental drowning. Extreme caution must be exercised to prevent unsupervised access by children. To avoid accidents, ensure that children cannot use the pool unless they are always supervised by an adult. NEVER LEAVE CHILDREN UNATTENDED.

RISK OF ELECTRIC SHOCK: Connect filter pump only to a grounding type receptacle protected by a GFCI (Ground Fault Circuit Interrupter). Use a qualified electrician to install the GFCI, which has a maximum rate of 30A.

WARNING: Always know where the cut-off switch for the pump is, so it can be turned off in an emergency. It is necessary to have the GFCI Cut-Off Switch plug accessible after installation of the pool.

WARNING: To avoid electrocution, do not permit electric devices i.e., electric lights, telephone, radio, television, hair dryer, etc. within 8-ft of this pool.

WARNING: Do not touch the filter pump unless the area around it is completely dry.

WARNING: NEVER allow horseplay, diving or jumping into or around the metal wall pool.

WARNING: NEVER enter the pool via any decks or other raised surface, the water level of the pool is shallow. Serious injury, paralysis, or death could result.

CAUTION: It is advisable to wear protective gloves when assembling pool.

WARNING: Follow all safety and installation instructions provided with the filtration system, ladder, and skimmer.



GENERAL WATER SAFETY

- Always supervise children around water.
- Ensure a pool fence is correctly installed and functioning if it is required by your local municipality or state code.
- Follow all local and National Pool Safety Codes.
- Learn CPR and keep in practice.
- Post emergency phone numbers near a phone and the pool.
- Teach your children to swim.
- Keep any object that could be used by a child to climb into the pool at least 4-ft away from the side of the pool.
- Read these safety instructions to your children often.
- Prepare yourself mentally for any situation that may occur. You may be required to offer adequate aid and assistance.
- Many swimming pool and water safety publications are available online. You are urged to review them and share with all members of your family.



NO DIVING



NO JUMPING



NO SLOPING GROUND



**USE ONLY UNDER
COMPETENT SUPERVISION**

ADDITIONAL POOL AND WATER SAFETY GUIDELINES

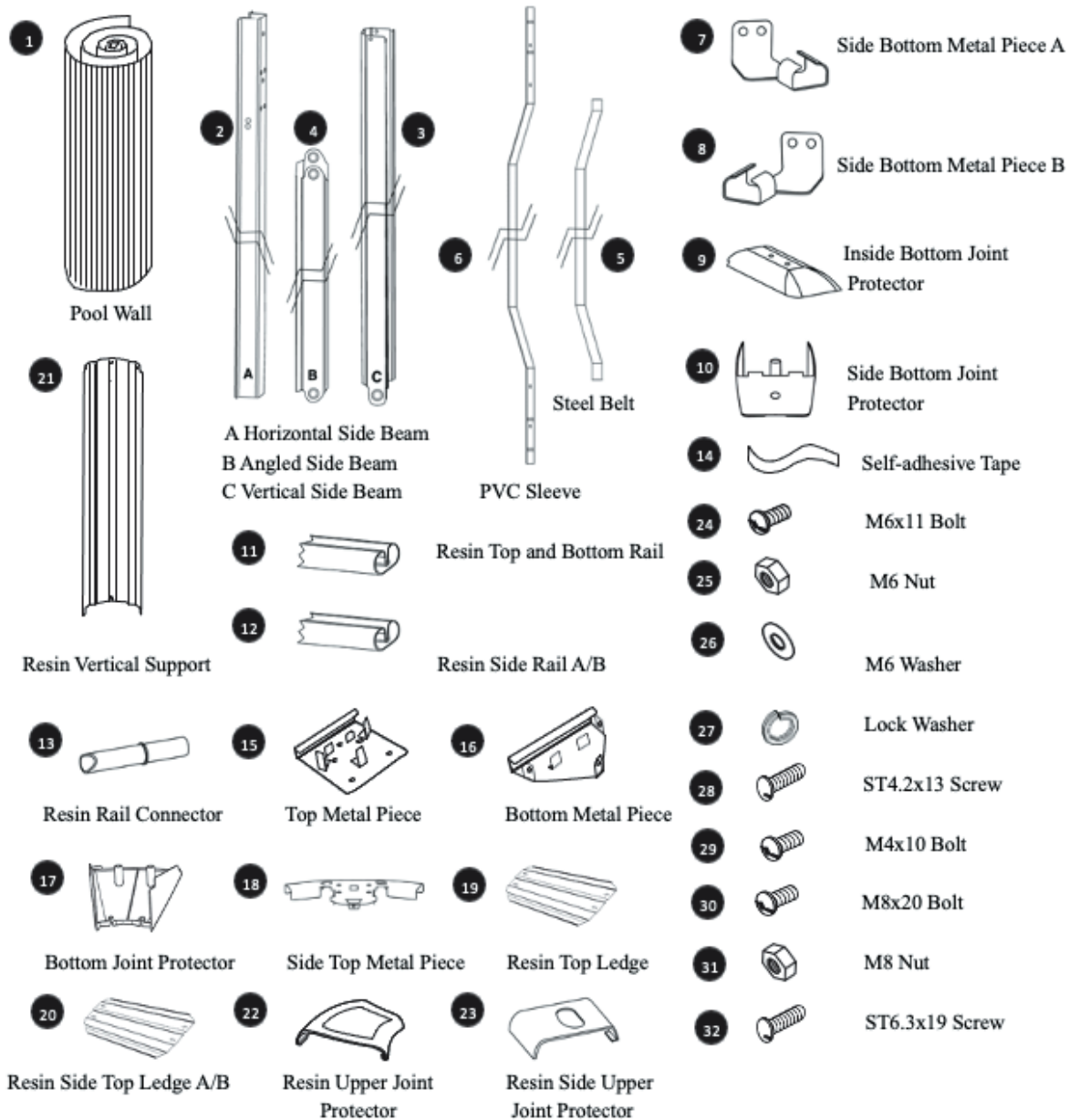
- Name only one safety supervisor when people are in the pool.
- Reinforce supervision when there are several users in the swimming pool. Have personal flotation aids available (for people who cannot swim).
- Wet your neck, arms, and legs before you enter the water.
- Do not allow children who are unable to swim to enter the pool without swim vest or approved life jacket, and without adult supervision. Flotation devices are not a substitute for adult supervision.
- Do not leave toys near or in the pool with no supervision.
- Always keep the water clear and sanitized.
- Store the water treatment products away from children's reach.
- Do not leave children alone when you are talking on or looking at your phone.
- Always keep a pool buoy and pool pole at the pool side.
- Keep the pool fence gate shut when the pool is not occupied.
- If possible, use an electronic pool alarm that can detect someone falling into a pool.
- Install all warning and danger decals and signs as instructed.
- Contact the dealer or retailer for additional signs if deemed necessary.

THERE IS NO REPLACEMENT FOR CLOSE ADULT SUPERVISION OF CHILDREN

SAVE THESE INSTRUCTIONS

MONTAUK OVAL STYLE POOL - PARTS LIST (Not to scale)

Check all parts and ensure they are present and undamaged before assembly. Images and objects may differ. Report missing or damaged parts immediately to have them replaced. For damaged or replacement parts, contact Blue Wave® Customer Service at (800)759-0977.



#	BW No.	Parts Description	MFG No.	24-ft x 12-ft x 52-in	30-ft x 15-ft x 52-in
1	NBP6084	POOL WALL	320010011	1	—
	NBP6085	POOL WALL	320010012	—	1
2	NBP6086	HORIZONTAL SIDE BEAM	22001007	6	6
3	NBP6087	VERTICAL SIDE BEAM	32001008	6	6
4	NBP6088	ANGLED SIDE BEAM	22001009	6	6

MONTAUK OVAL STYLE POOL - PARTS LIST continued

#	BW No.	Parts Description	MFG No.	24-ft x 12-ft x 52-in	30-ft x 15-ft x 52-in
5	NBP6089	STEEL BELT	22001010	3	3
6	NBP6090	PVC SLEEVE	22001011	3	3
7	NBP6091	SIDE BOTTOM METAL PIECE A	22001012	6	6
8	NBP6092	SIDE BOTTOM METAL PIECE B	22001013	6	6
9	NBP6093	INSIDE BOTTOM PROTECTOR	22001014	6	6
10	NBP6094	SIDE BOTTOM JOINT PROTECTOR	22001015	6	6
11	NBP6095	RESIN TOP & BOTTOM RAIL	220010161	12	—
	NBP6096	RESIN TOP & BOTTOM RAIL	220010162	—	16
12	NBP6097	RESIN SIDE RAIL A	2200101711	8	—
	NBP6098	RESIN SIDE RAIL A	2200101712	—	8
	NBP6099	RESIN SIDE RAIL B	2200101721	8	—
	NBP6100	RESIN SIDE RAIL B	2200101722	—	8
13	NBP6101	RESIN RAIL CONNECTOR	22001018	32	40
14	NBP6102	SELF ADHESIVE TAPE	22001019	1	1
15	NBP6103	TOP METAL PIECE	22001020	8	10
16	NBP6104	BOTTOM METAL PIECE	22001021	8	10
17	NBP6105	BOTTOM JOINT PROTECTOR	22001022	8	10
18	NBP6106	SIDE TOP METAL PIECE	22001023	6	6
19	NBP6107	RESIN TOP LEDGE	220010241	6	—
	NBP6108	RESIN TOP LEDGE	220010242	—	8
20	NBP6109	RESIN SIDE TOP LEDGE A	220010251	4	—
	NBP6110	RESIN SIDE TOP LEDGE A	220010252	—	4
	NBP6111	RESIN SIDE TOP LEDGE B	220010253	4	—
	NBP6112	RESIN SIDE TOP LEDGE B	220010254	—	4
21	NBP6113	RESIN POOL WALL VERTICAL SUPPORT	22001026	8	10
22	NBP6114	RESIN UPPER JOINT PROTECTOR	22001027	8	10
23	NBP6115	RESIN SIDE UPPER JOINT PROTECTOR	22001028	6	6
24	NBP6116	M6x11-BOLT	22001029	130	144
25	NBP6117	M6-NUT	22001030	88	96
26	NBP6118	M6-WASHER	22001031	112	120
27	NBP6119	LOCK WASHER	22001032	56	64
28	NBP6120	ST4.2x13-SCREW	22001033	44	52
29	NBP6121	M4x10-BOLT	22001034	66	78
30	NBP6122	M8x20-BOLT	22001035	60	60
31	NBP6123	M8-NUT	22001036	60	60
32	NBP6124	ST6.3x19 SCREW	22001037	12	12

SELECTING A SUITABLE SITE

Carefully select the site for your new pool. This is the most important decision to ensure the safety and success of your pool's construction. An incorrect site could cause problems in the future that may result in injury, death, or financial loss. Carefully read the check list below when selecting your site.

Acceptable:

- Flat, level, firm, and dry ground
- Easy access to all sides of the pool
- Position in a spot with the most direct sunlight possible
- Ensure safe access to electricity for running the filter pump and other pool accessories
- Easy access to a water source
- Protection from wind, if possible
- A site for easily watching children

Not acceptable:

- Sloping ground
- Concrete, asphalt, sandy gravel, and swampy ground
- Close to wooden construction e.g., pergolas and decking
- Next to deciduous or leafy trees
- Under wires or clothesline
- Over drains, electric wires, or gas pipelines
- Areas with poor or little drainage
- Near sprinklers or over underground sprinkler plumbing
- High wind areas

Tools and Materials Required:

- Philips head screwdriver
- Flat blade screwdriver
- Adjustable wrench
- Sand shifter
- Sharp stake
- Clothes pins
- 4-ft Level
- 14-ft long, 2-in x 4-in board
- 8-in x 16-in x 2-in patio blocks sufficient to fit under each Foot Plate / Vertical Support
- Sharp knife
- Site excavation tools
- 4-ft X 4-ft piece of plywood
- Protective gloves

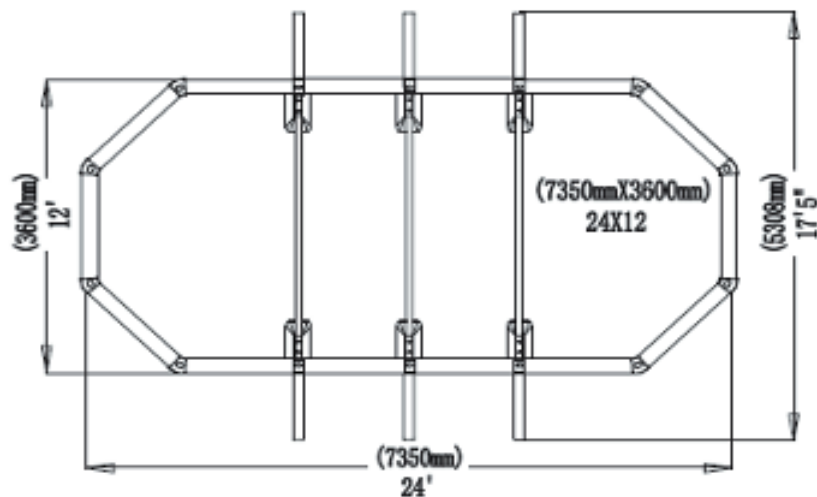
POOL SETUP

POOL SITE PREPARATION

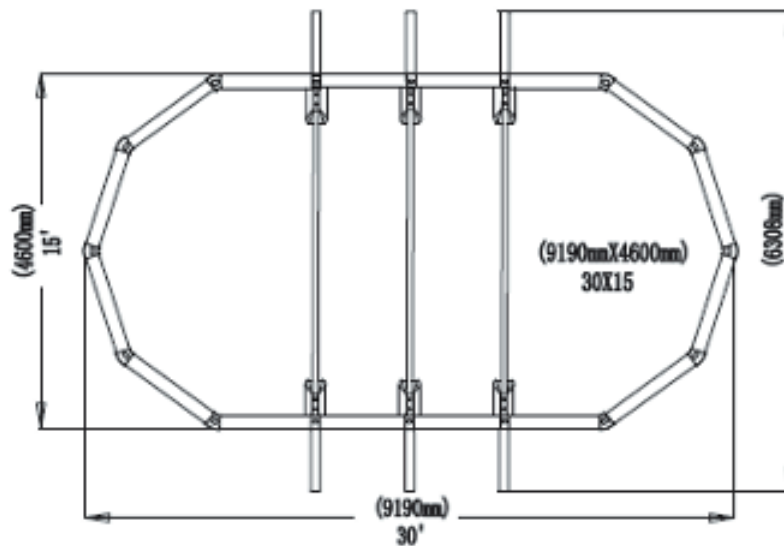
Remember ground preparation is the most important step in the installation of the pool. Do not install the pool over underground power lines, sewer lines, or other structures. Do not install on cement, asphalt, or other hard surfaces.

1. Mark off the pool area by driving a stake in the center of the area where the pool will be installed. Have a helper hold a tape measure or a string and mark off the pool perimeter using flour, chalk, or spray paint. Remove all sod inside the pool area to 1-ft (30-cm) beyond the dimensions of the pool.
2. If the area selected for pool installation has Nut Grass, Bermuda Grass, or another type of persistent grass it is recommended a topical grass treatment is applied and to wait at least 48 hours before continuing with installation.
3. After removing the sod, rake the dirt to remove any small rocks, stones, roots, sticks or other debris that could cause damage or tear the pool liner.

(Diagram 1)



(Diagram 2)



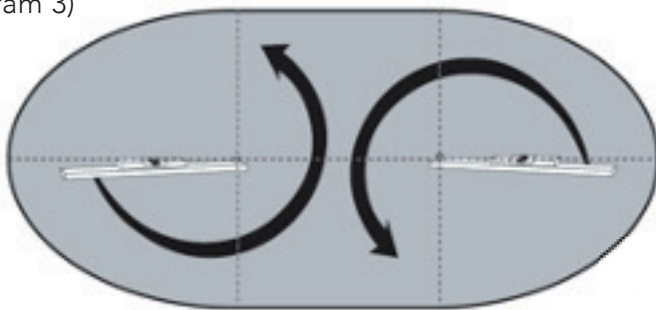
LEVELING THE AREA

WARNING!

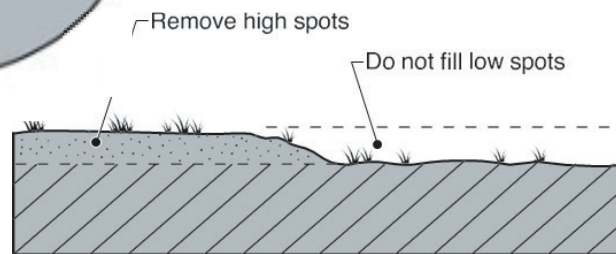
Leveling is extremely important: take as much time as necessary to ensure the pool site is completely firm and leveled.

- **WARNING:** The pool contains thousands of gallons of water. Should the pool collapse due to unlevel ground, it could cause significant property damage and even result in injury or death.
 - Use a carpenter's level and straight edge 14-ft long, 2-in x 4-in board to ensure that the site is completely level! (see diagram 3)
 - Remove the higher ground rather than filling the low laying ground (see diagram 4).
 - **ATTENTION:** Always remove rocks, stones, sticks, grass roots, and other debris from within the marked pool area.
 - Once the pool site is completely leveled, debris removed and ground smoothed, place a layer of sifted dirt or masonry sand that completely covers the pool site (see diagram 5).
- If a sand cove is being used (see diagrams 26 and 27) reserve some of the sifted dirt or brick layer's sand in the center of the pool site for this step.

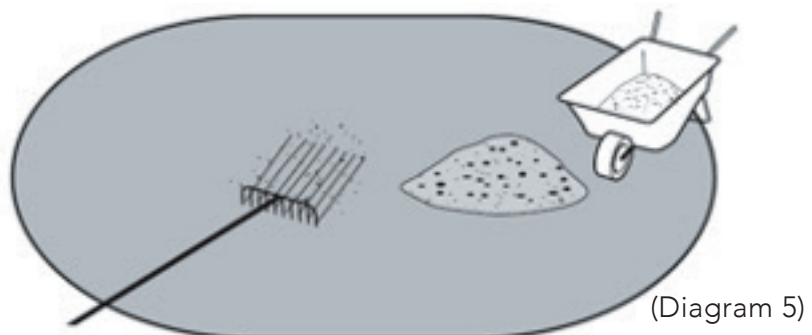
(Diagram 3)



(Diagram 4)



Spread a light layer of fine brick layer's sand or sifted dirt over the foundation area. Level this layer carefully.



POOL WALL AND SIDE FRAME SUPPORT ASSEMBLY

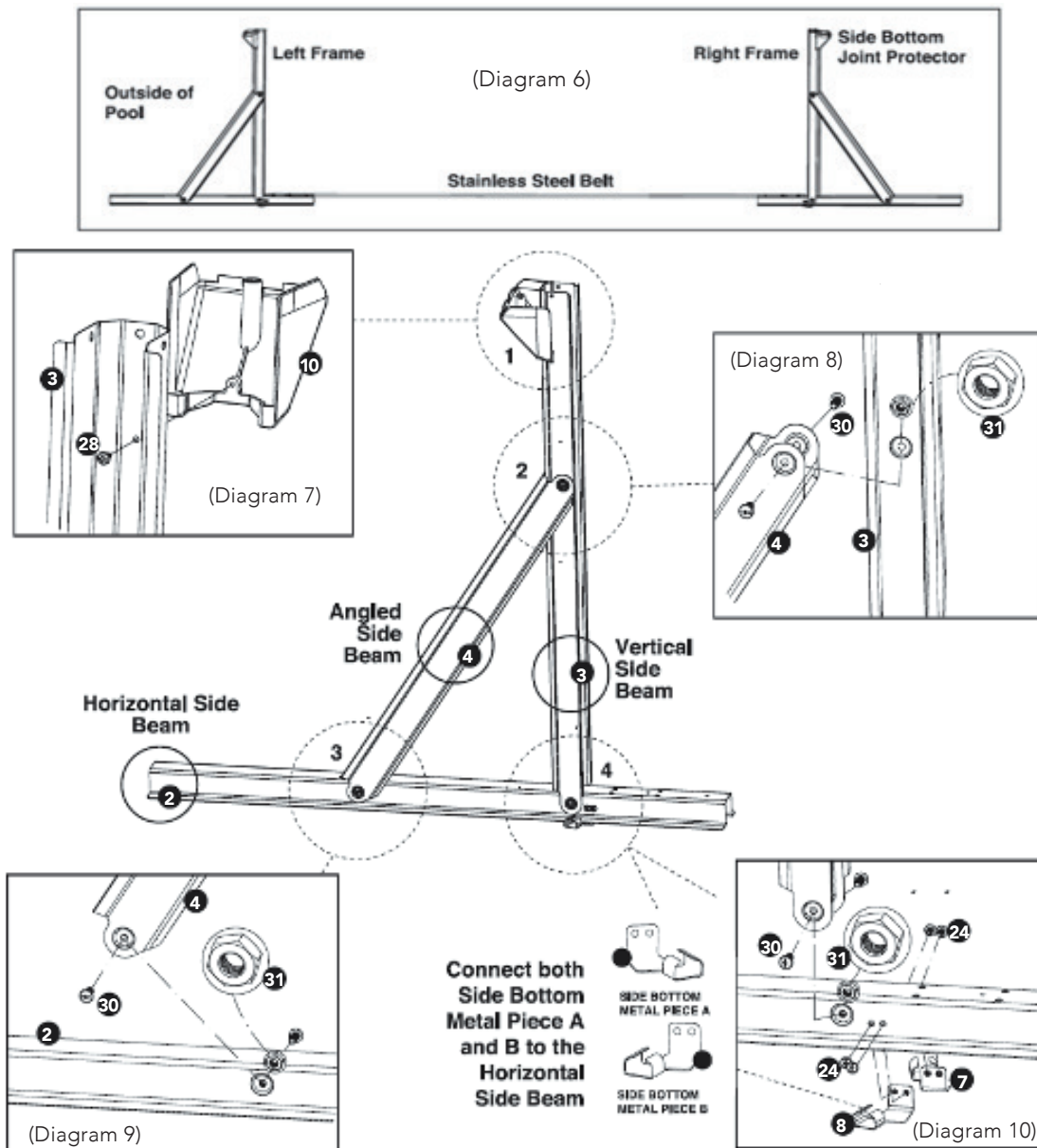
- Once you have the ground preparation completed you can proceed with the frame and wall assembly and installation step. Follow each step and complete it carefully before moving on to the next step.

NOTE: Some diagrams may look different from your pool structure. Refer to diagrams 1, 2, 13, and 43 for the proper parts layout for your pool.

CAUTION: Wear protective gloves when handling the metal wall.

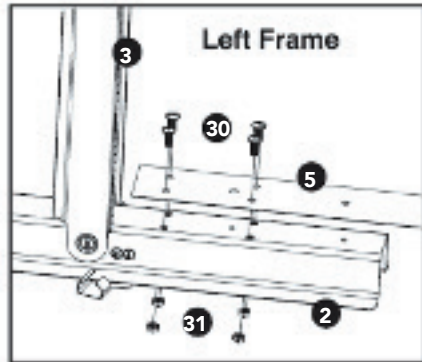
- The pool wall side frame support consists of a left and right frame connected by a stainless steel belt (see diagram 6).

1. Connect the side bottom joint protector to the top of the vertical side beam (see diagram 7).
2. Connect the angled side beam to the vertical side beam (see diagram 8).
3. Connect the lower end of the vertical side beam to the horizontal side beam (see diagram 10).
4. Connect the lower end of the angled side beam to the horizontal side beam (see diagram 9).

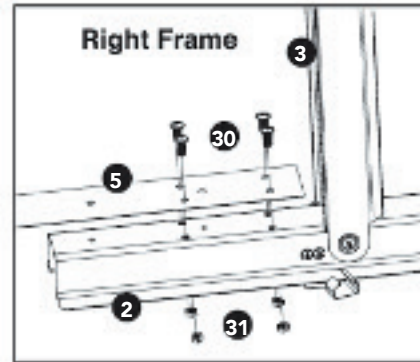


POOL WALL AND SIDE FRAME SUPPORT ASSEMBLY continued

- Connect the steel belt to either end of the left and right side pool frames (see diagram 11 and 12). Make sure the steel belt is protected by the PVC sleeve which is provided in the package. This will protect the pool liner from damage.



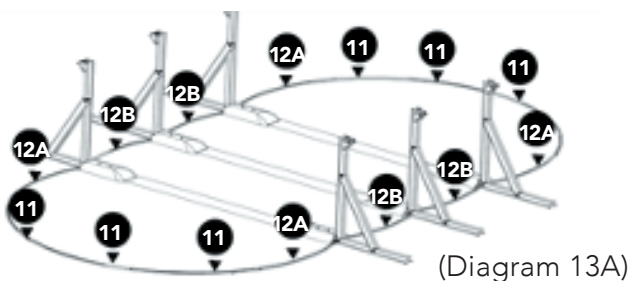
(Diagram 11)



(Diagram 12)

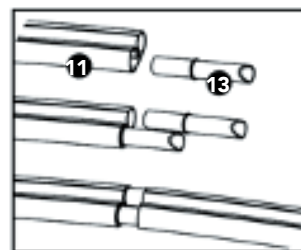
POOL WALL RAIL AND RAIL CONNECTOR SETUP

1. Position the left and right side wall frames in the middle of the prepared area (see diagram 13A).
2. Place the rails around the area where the pool wall is to be installed. (see diagram 13B).
3. Connect the rails together using 2 rail connectors per rail (see diagram 14) and leave a 1.5cm (0.6-in) gap between each connection (see diagram 15).
4. Connect the side rails to the side bottom metal piece A and B on either side of the pool wall frame supports (see diagram 16).

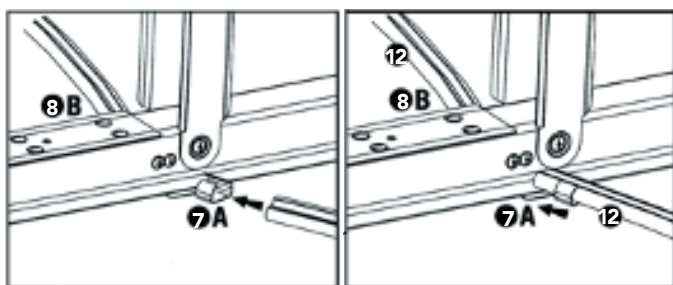
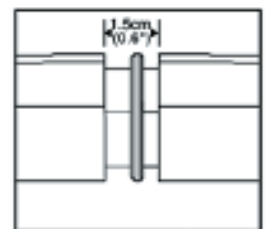


(Diagram 13A)

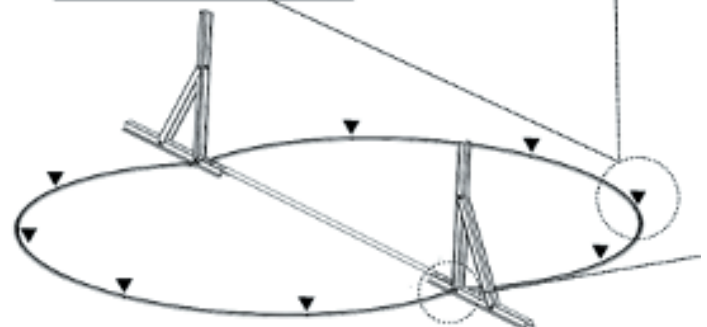
(Diagram 14)



(Diagram 15)



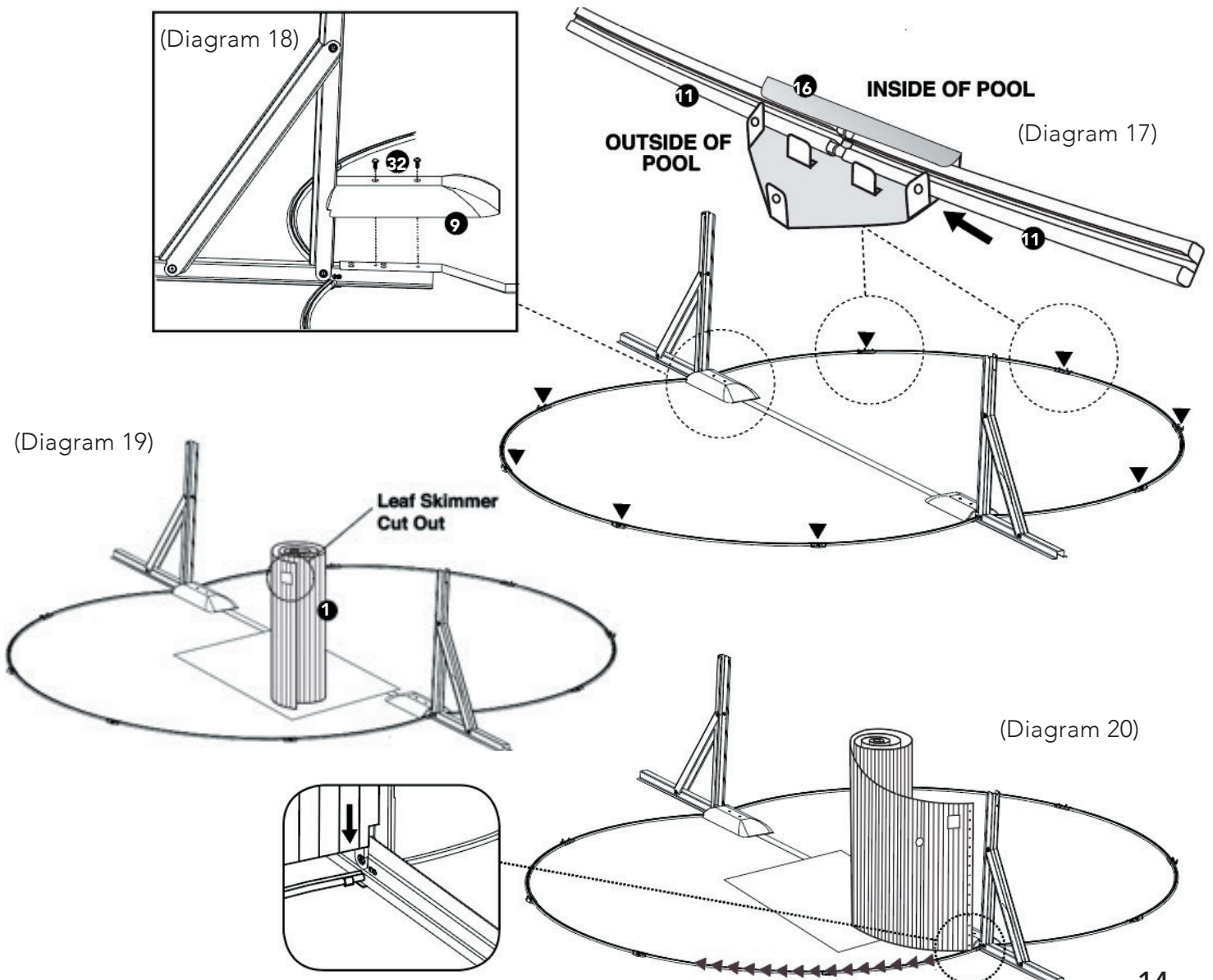
(Diagram 16)



(Diagram 13B)

POOL WALL RAIL AND RAIL CONNECTOR SETUP continued

- Place the bottom metal pieces between the joins of the rails with the triangular end pointing out from the pool wall (see diagram 17).
- Place the inside bottom protector over the steel belt and screw into the horizontal side beam.
NOTE: Ensure the PVC sleeve covers the steel belt to prevent damage or rust affecting the pool (see diagram 18).
- Place the metal pool wall with the skimmer hole at the top, onto a piece of cardboard, plywood, or ground cloth to protect the leveled ground during installation. **Note:** Position the pool wall's skimmer cutout in the same location to where your electricity supply will be to power the filtration system. You will need 2 or 3 helpers with this step (see diagram 19).
- Rest the end of the pool wall in the side bottom metal piece between the gap in the side rail. Make sure the prepared location is not prone to constant windy conditions. Continue unrolling and placing the bottom edge of the pool wall in to the rails until the full length of pool wall is sitting in the rails (see diagram 20).

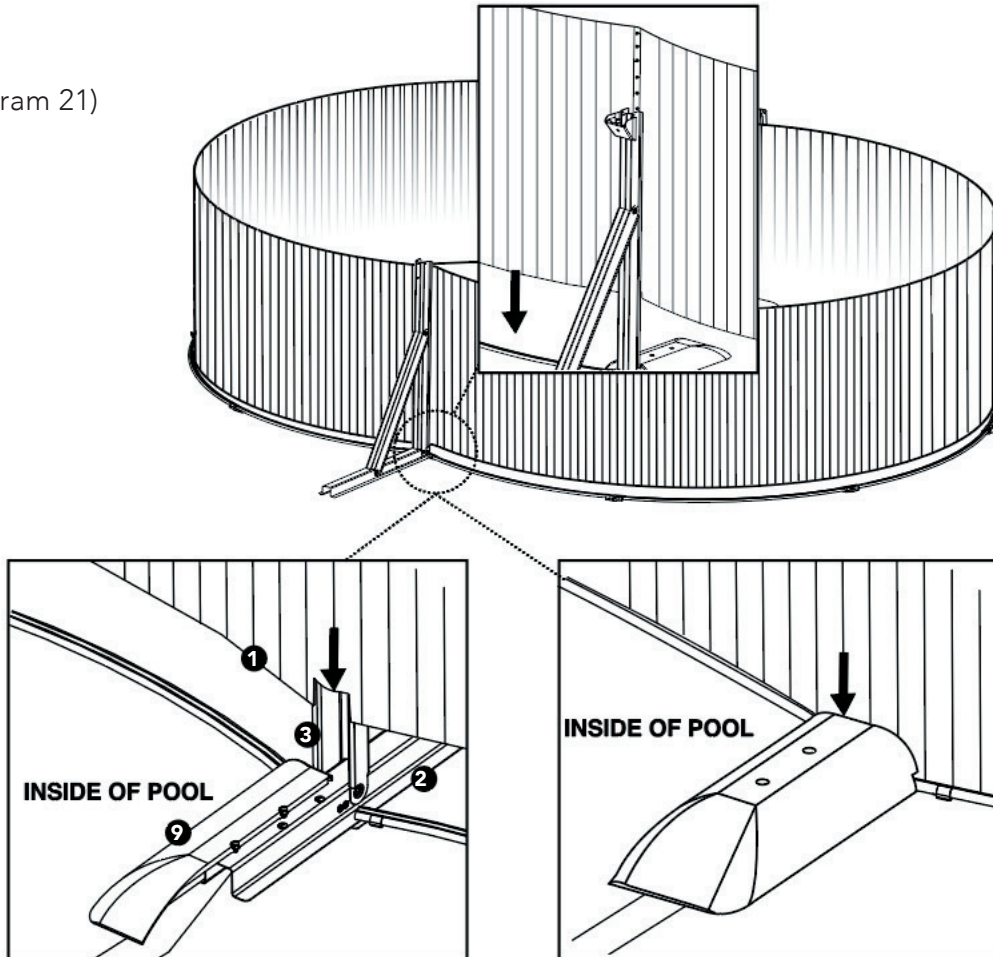


POOL WALL RAIL AND RAIL CONNECTOR SETUP continued

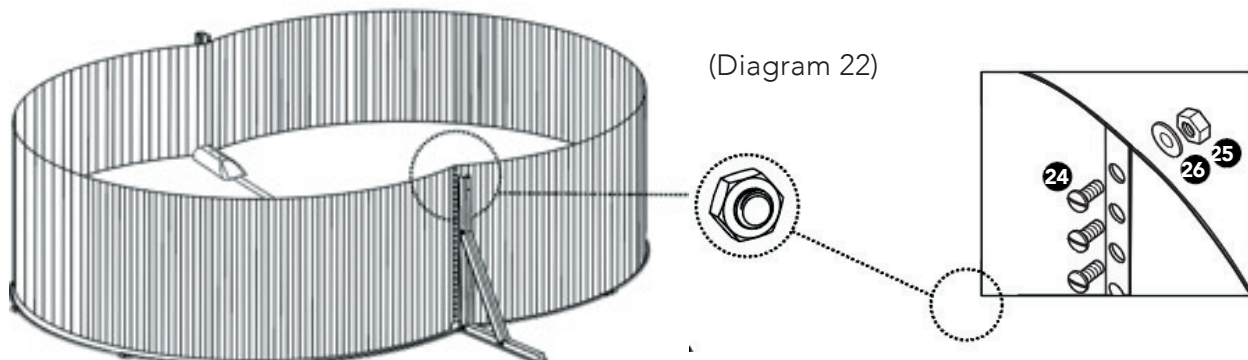
Stop at this point to make sure you have the wall cut outs where you want them.

9. On the opposite side of the pool wall, carefully lift and place the steel wall in between the side support frame and the inside bottom protector. **Note!** There is a section cut out of the pool wall that will allow the wall to slot over the horizontal support beam (Diagram 21).

(Diagram 21)

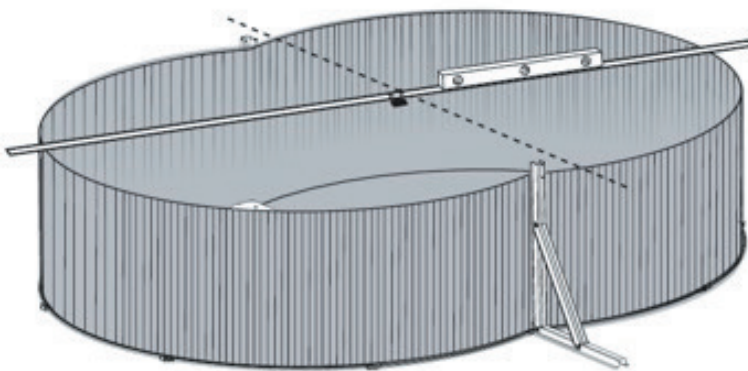


10. Line up the two ends of the pool wall and begin inserting and hand tightening each bolt and nut until the full length of the join is assembled (see diagram 22). Do not completely tighten bolts before you check the wall is in the correct place, level, and that no damage has occurred to the pool wall. **NOTE:** At this stage, it is recommended that you assemble the pool ladder to place over the pool wall to gain access to the inside and outside of the pool areas.

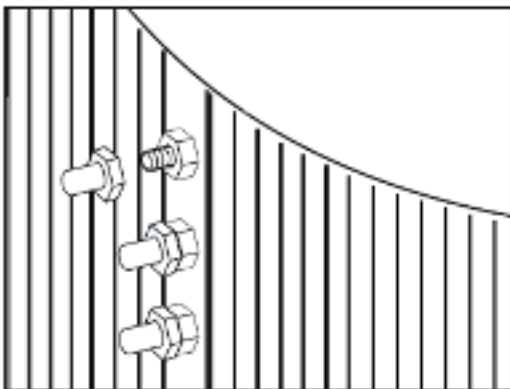
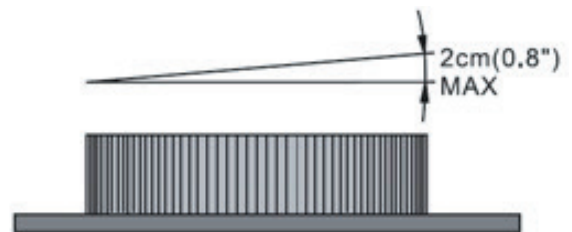


MEASURING THE LEVEL AND SHAPE OF THE POOL WALL

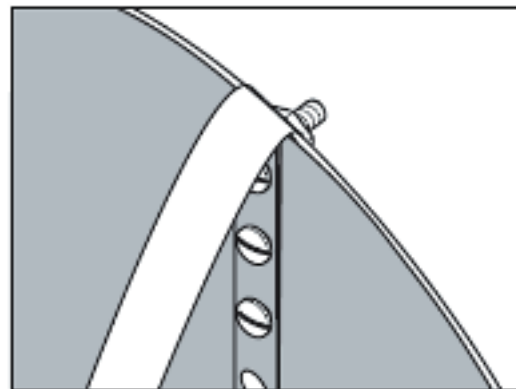
- **WARNING:** A pool that is not level is very dangerous and may collapse at any time.
- Check the pool wall level by placing a 2-in x 4-in board or similar across the diameter of the pool wall and placing a level on the top of the board. A string level may also be used for this step (see diagram 23). If the pool is not level then remove the pool wall, dismantle the pool frame, and re-level the ground site. Also, check if the ends of the pool wall are properly curved. Measure across a few spots to ensure that the distance, radius of each end, and width are all within 0.8-in (2-cm).
- **CAUTION:** Try not to damage any of the components if disassembling the pool wall to correct the ground level.
- Once the measurements and levels are correct, and all nuts and bolts are tightened, cover the exposed bolt heads with the self-adhesive tape (see diagram 24 and 25). This step is necessary to prevent damage to the liner from the bolt heads.
- **WARNING:** Tighten the wall bolts using a screwdriver and wrench by hand to ensure a tight wall joint connection. **NEVER** use a power screwdriver or power drill for this step. Loose wall bolts may cause the pool to collapse and is not covered by the warranty.



(Diagram 23)



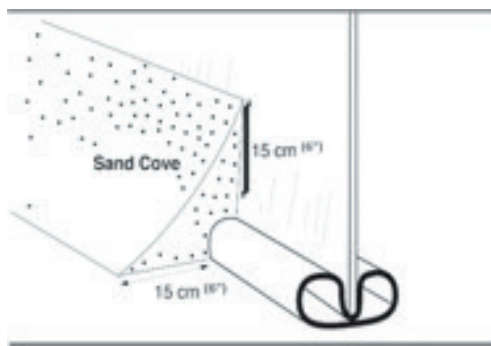
(Diagram 24)



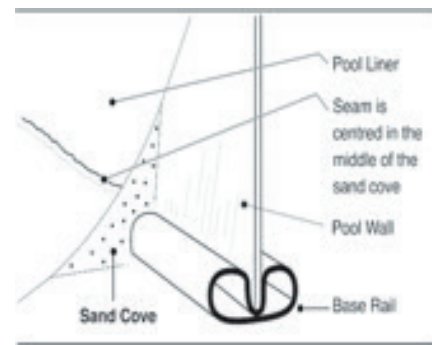
(Diagram 25)

PROTECTIVE SAND CUSHION

Making a Protective Sand Cushion at the Foot of the Inner Pool Wall



(Diagram 26)



(Diagram 27)

ATTENTION: THIS IS A CRITICAL STEP THAT WILL PREVENT THE LINER FROM BEING FORCED OUT UNDER THE WALL, TEARING, AND RELEASING THOUSANDS OF GALLONS OF WATER INTO THE YARD. AVOIDING THIS STEP WILL VOID THE POOL WARRANTY.

- To protect the liner against the sharp edges of the bottom rail and pool wall, it is necessary to build a protective cove made of moist sifted dirt or fine brick layer's sand at the base of the pool wall (see diagram 26 and 27). The size should be 6-in H x 6-in W so that it completely seals the bottom rail but does not distort the pool liner. Be sure you cover the inside bottom protectors (#9) with the cove material.
- When the cove is complete, re-smooth the rest of the pool's dirt floor. Follow the manufacturer's installation instructions if a manufactured cove is being used.
- Now that the wall is installed, the cove is created, and the dirt floor is smooth, it is time to install the liner. The following general instructions apply for a typical overlap pool liner.

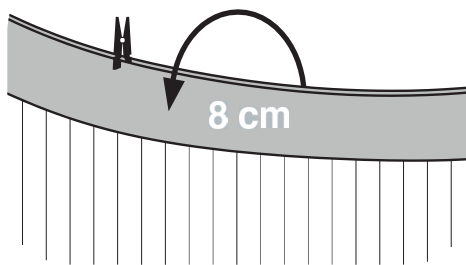
INSTALLING THE POOL LINER

These instructions only apply to overlap liner installation. Follow the liner manufacturer's instructions for other style liners.

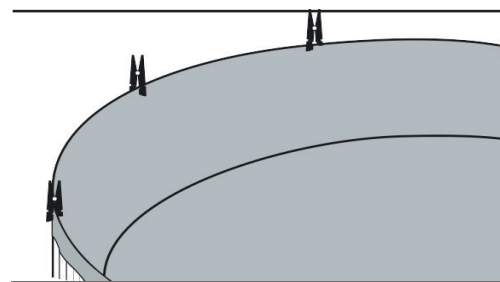
IMPORTANT: Only attempt to install the liner on a warm and sunny day, preferably above 72 °F (22° C). Unfold the liner and put it in the sun for 2 hours. This helps to soften the liner. If the temperature is below 60° F (16° C), the liner will be hard and rigid and quite difficult to handle.

CAUTION: Have 2 or 3 helpers for the following liner installation steps.

- Carefully place the liner inside the pool at the center of the pool floor. Do not to disturb the smoothed dirt floor. Extend it evenly until the seam between the wall and floor panels reaches the base of the pool in the center of the protective cove. Smooth out any wrinkles in the liner (see diagram 31). Straighten the liner wall seam and so it is perpendicular to the ground.
- Drape the pool liner over the pool wall. There should be an overlap of about 3-in (8-cm) over the pool wall height (see diagram 28 and 29). Temporarily hold the overlap in place with clothes pins.

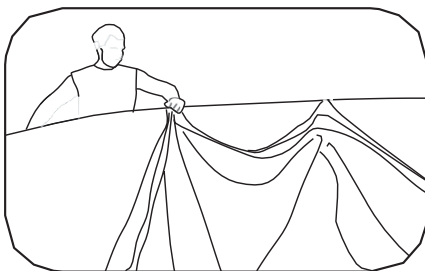


(Diagram 28)

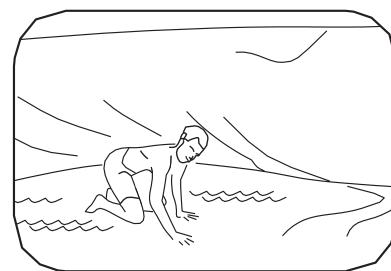


(Diagram 29)

- Confirm the pool liner is placed evenly inside the wall (see diagram 30). If the liner is tight, stretch it to fit smoothly on the inside of the wall. If the liner placement fails, it may not be centered properly in the pool.
- Check if the overlap is uniform. The pool liner should only be touching the pool floor in the center of the pool. If it's not, pull up an additional 3-in of the liner over the wall and re-pin with the clothes pins.
- Start filling the pool and continue until there is about 1-ft of water in the pool. As the water stretches the liner down to the pool floor and against the pool wall, release some of the excess overlap material. Before proceeding further, recheck to see if the water is level, if not, something is wrong, and the liner and the pool wall will need to be removed to re-level the pool area.



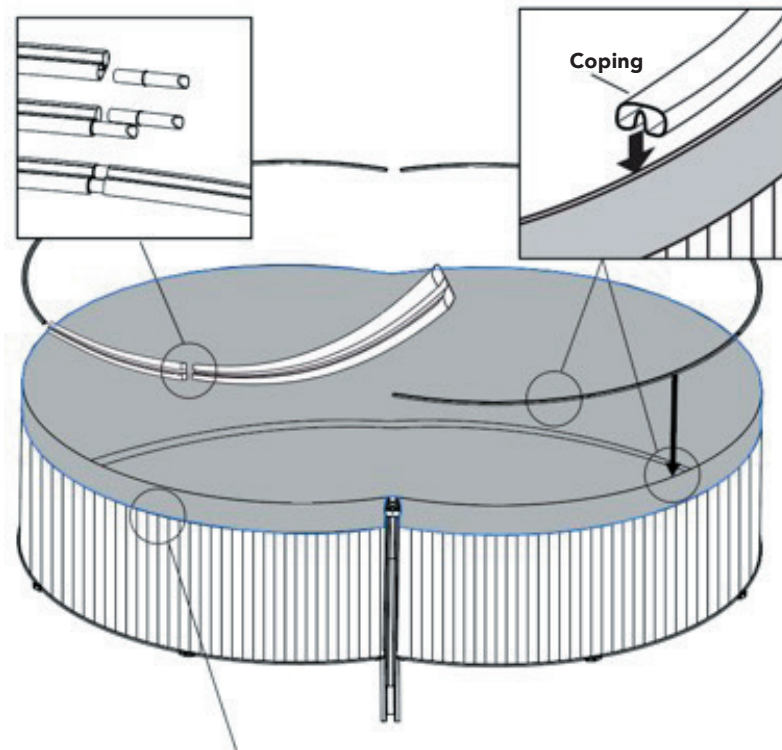
(Diagram 30)



(Diagram 31)

INSTALLING THE POOL LINER continued

- Remove the clothes pins one at a time while applying the fix rail coping and the round top rails (see diagram 32). Slide the rail connectors into one end of the top rail, then connect another top rail and continue around the oval until all top rails are joined together. Trim any excess off the last top rail then make the final connection.
- Fix all round rails and copings to the top of the pool wall and make sure they are sitting properly.

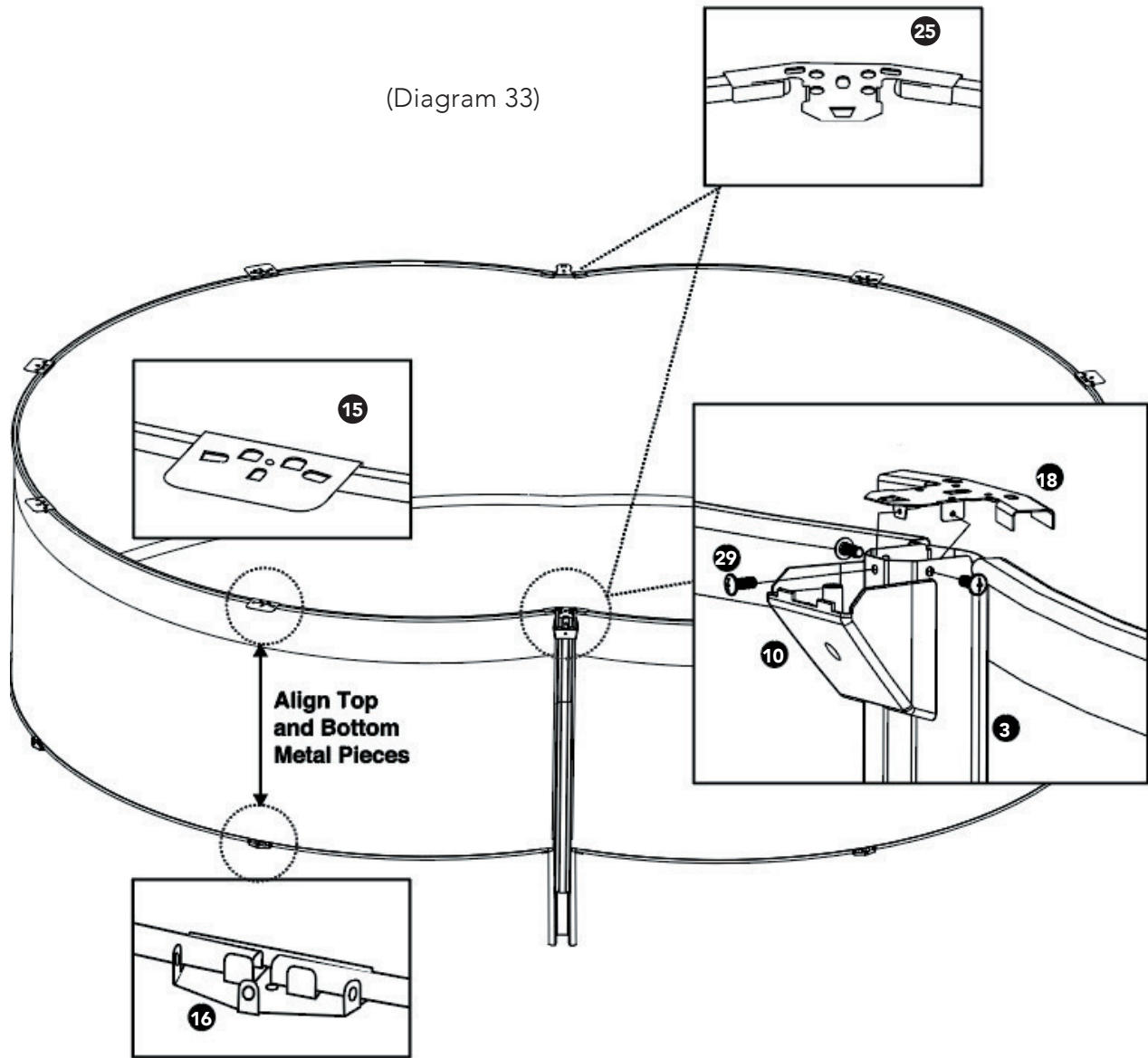


(Diagram 32)

- Do not cut the excess liner overlap from the outside of the pool wall. If you cut off the overlap, it will make the next installation step difficult. Finish connecting the top rails to complete the circumference of the pool. Adjust the amount of the gaps to either expand or close up the top rail as needed. You will need to cut off any excess top rail as you did the bottom rail to make the final connection.

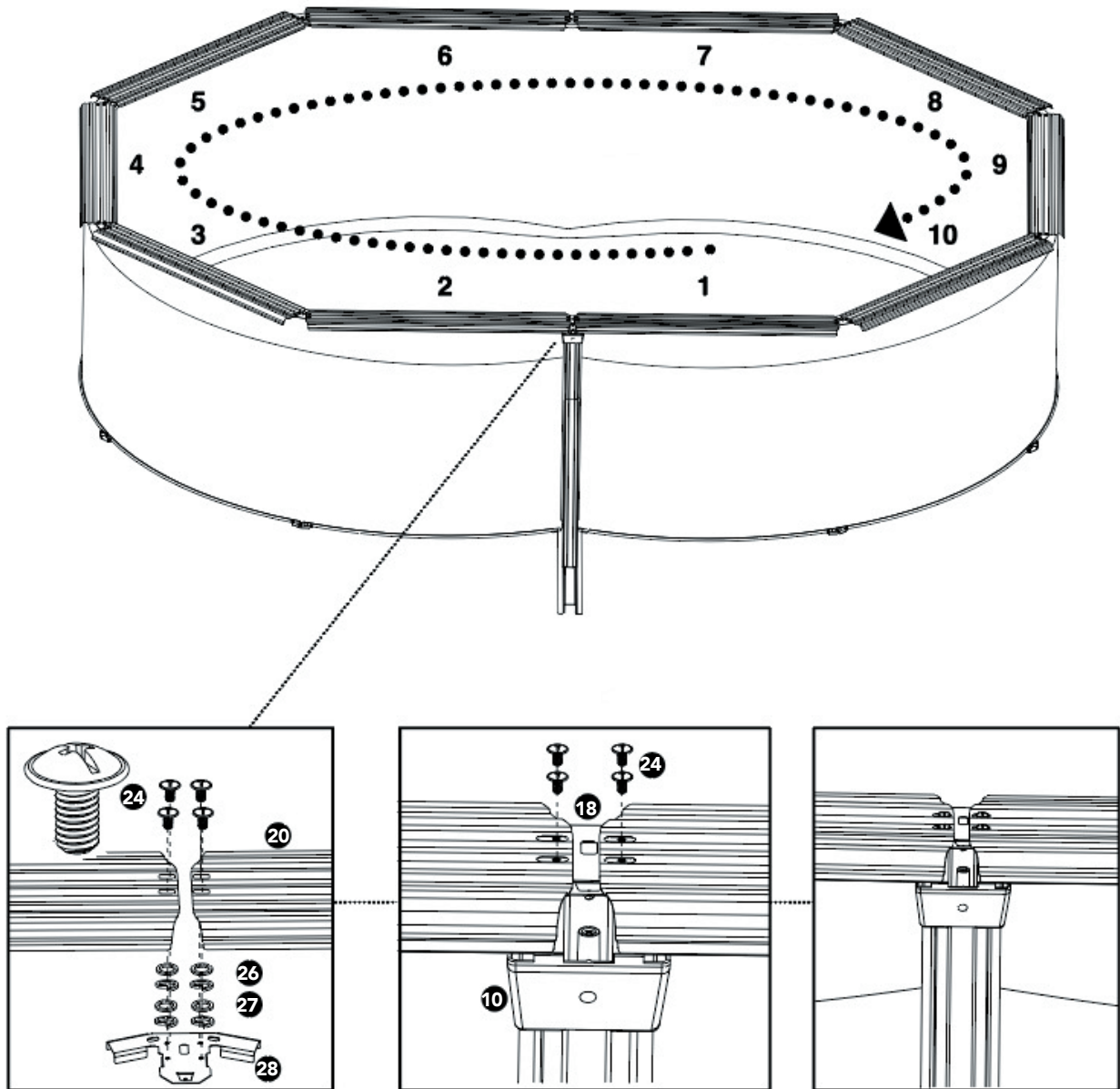
INSTALLING THE TOP AND SIDE METAL PLATE

- Hook the top metal piece over the top of the rail between the rail connections and align with the bottom metal piece (see diagram 33). The first metal piece should be placed on top and in the middle of the pool wall joint.



INSTALLING THE CURVED AND STRAIGHT SIDE TOP LEDGE

- Place the three side top ledges on top of the rails and align the holes over the side top metal piece. Using four bolts, washers, and spring washers, attach the side top ledge to the side top metal piece and hand tighten. Place a top ledge at the end of the side top ledge and attach using four bolts, washers, lock washers, and nuts (see diagram 34, 35 and 36).

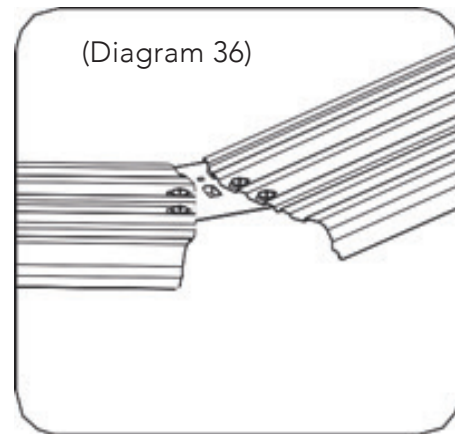
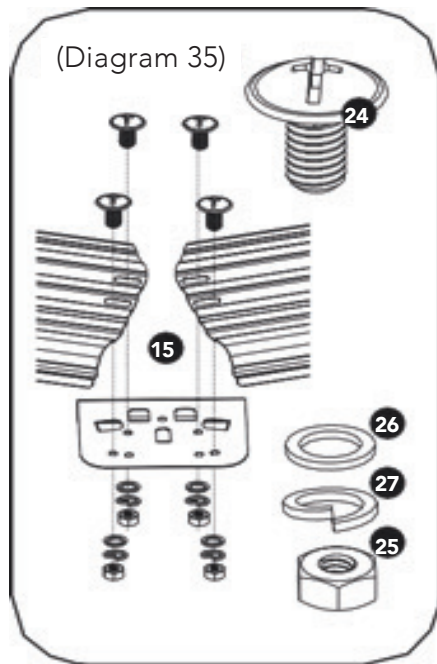


(Diagram 34)

1, 2, 6 AND 7 TOP LEDGE AS SHOWN IN DIAGRAM 34

INSTALLING THE CURVED AND STRAIGHT SIDE TOP LEDGE

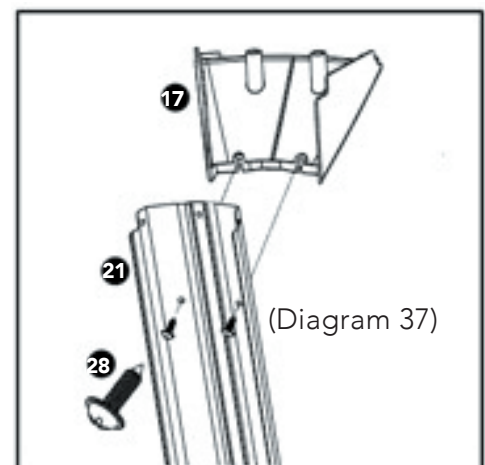
- Continue this process until all of the top and side top ledges are attached to all of the top and side metal pieces (see diagram 34, 35 and 36). Check the alignment but do not tighten.



1, 2, 6 AND 7 TOP LEDGE AS SHOWN IN DIAGRAM 34

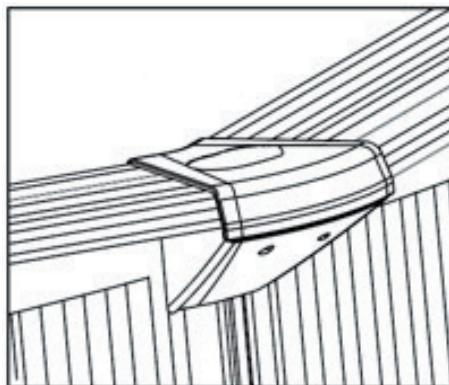
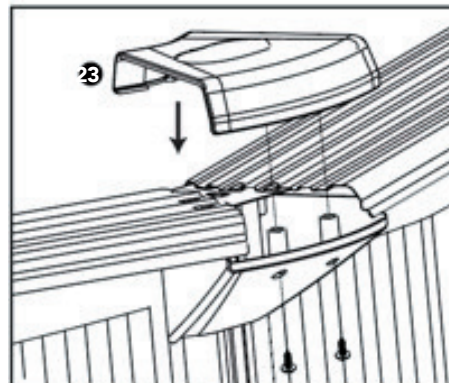
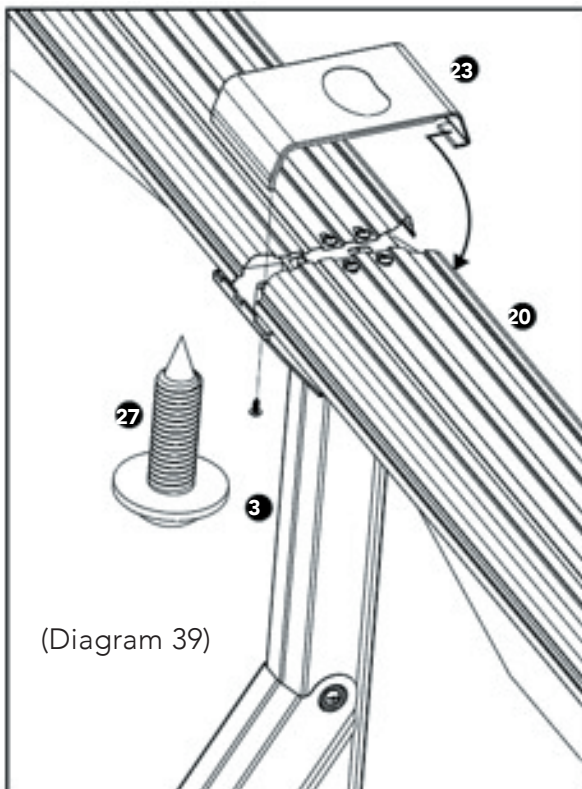
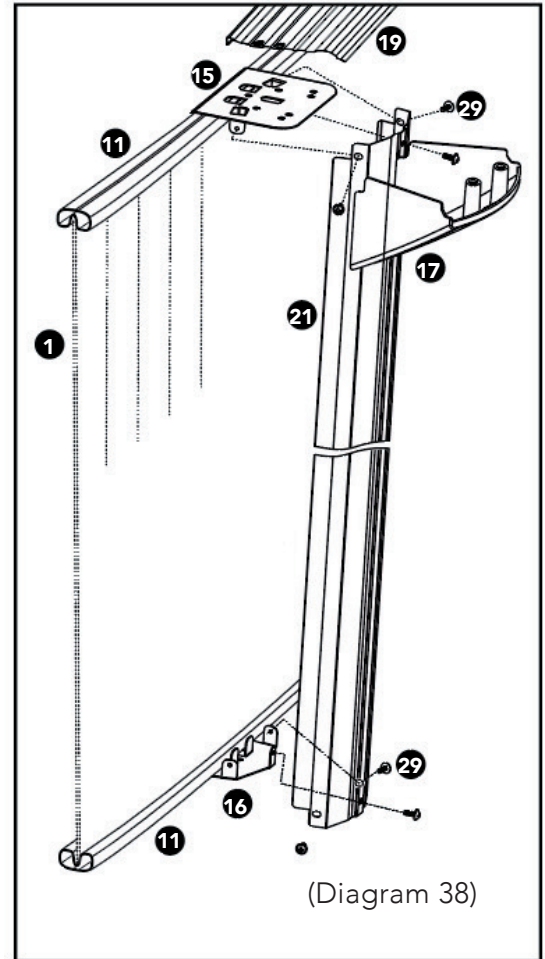
ASSEMBLY OF THE VERTICAL SUPPORTS

- Attach the bottom joint protector to the vertical support using the screws provided (see diagram 37). Line up all of the screw holes of the vertical supports with the top and bottom metal pieces.



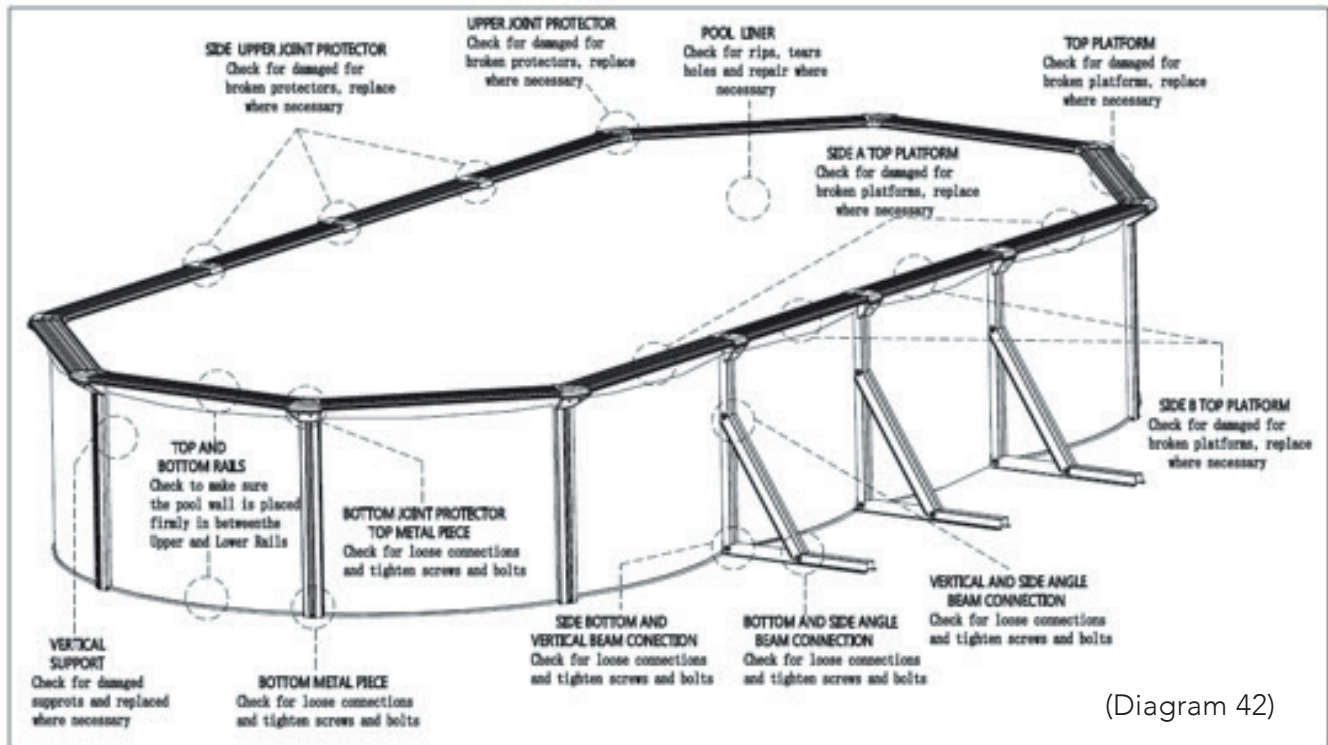
ASSEMBLY OF THE VERTICAL SUPPORTS continued

- Fix the vertical support onto the top and bottom metal piece and hand screw into place. Continue this process around the pool until all of the vertical supports are attached. Check and adjust the alignment of the vertical supports to ensure that they are indeed vertical and straight. Go around the pool and tighten all screws top and bottom (see diagram 38).
- Clip the non-screw end of the side joint protector over the side top ledge join and screw the other end into place. Using the same method, attach the Joint Protector for the top ledge and screw into place. Do not over tighten (see diagram 39, 40 and 41).



CHECKING ALL CONNECTIONS AND JOINTS

- Once completed, check all connections and tighten loose screws and bolts, but do not over tighten.
- Replace damaged components and repair all tears, rips, and holes with repair patch (see diagram 42).



INSTALLING THE SKIMMER

- For protection and safety, all edges of the skimmer and return fitting windows must be covered by vinyl tape or rust proofing paint.
- Follow the skimmer manufacturer's instructions for skimmer installation.

INSTALLATION OF THE FILTRATION SYSTEM

ATTENTION: FOLLOW ALL SAFETY WARNINGS INCLUDED IN FILTRATION SYSTEM INSTALLATION MANUAL.

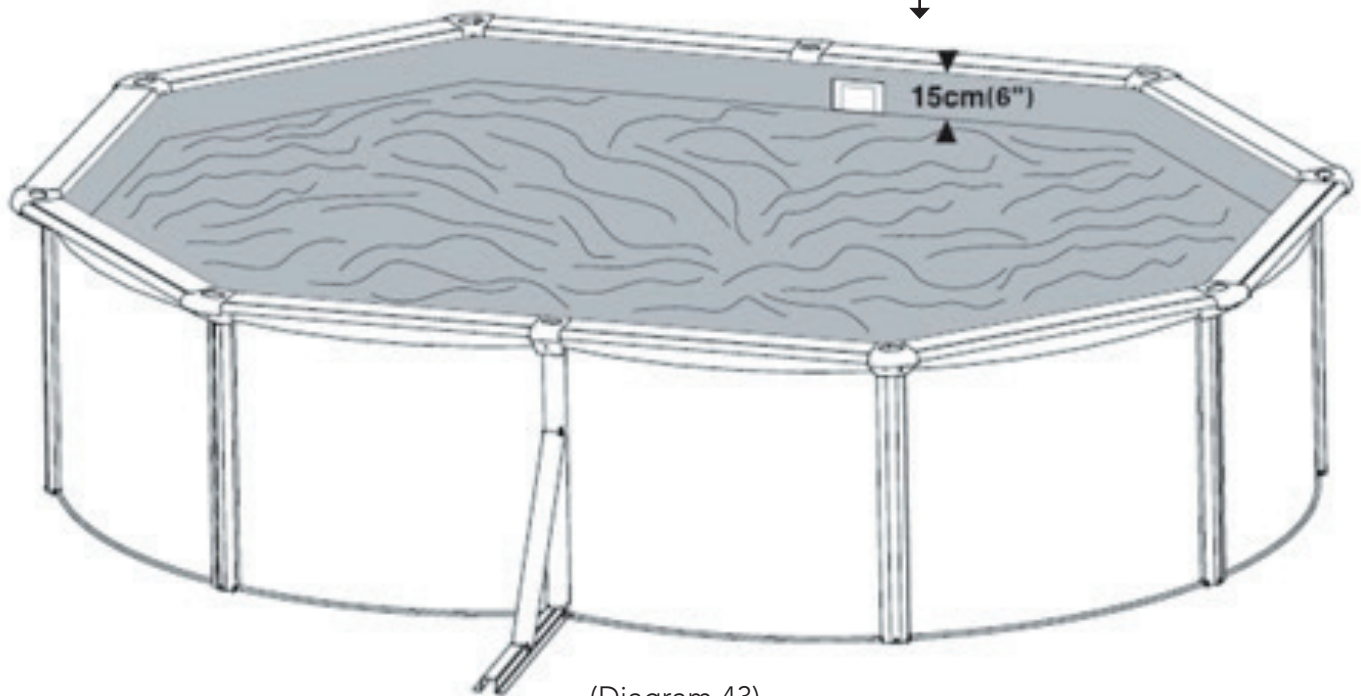
- Follow the manufacturer's instructions for installation of the filtration system. Once all of the hoses are attached to the skimmer and return fitting, finish filling the pool.

FILLING THE POOL WITH WATER

- Before filling the pool with water, thoroughly check to see if there are any loose screws not tightened during the pool frame installation process. Also, check for holes or tears in the liner.
- Fill the pool until the water is halfway up the skimmer opening or a minimum of 6-in (15-cm) from the top of the pool wall (see diagram 43). This will ensure water is entering the skimmer opening and flowing into the filter system.

SAFETY WARNING! To avoid pool collapse, never leave the pool empty without water! The warranty does not cover damage to an empty pool.

Make sure pool waterline is 6-in (15-cm) below the top of the pool wall.



(Diagram 43)

SAFETY WARNINGS

- Install all safety warning decals and signs included with the pool.
- The filter pump must be turned off when there are swimmers in the pool!

WARNING DECALS

TOP LEDGE DECALS: Round pools require three (3) of these warning labels (see diagram 44). Decals should be placed along the top ledge of the pool so that they are visible upon entry. The decals will need to be applied to the center of the top ledge. Make sure the surface is dry and clean.



WARNING SIGNS



DANGER SIGN: You must install the danger sign near your pool ladder or the stairs up to the pool deck (see diagram 45).

CPR SIGN: Should be installed in an obvious location that can be seen from the house door or fence gate closest to the pool.

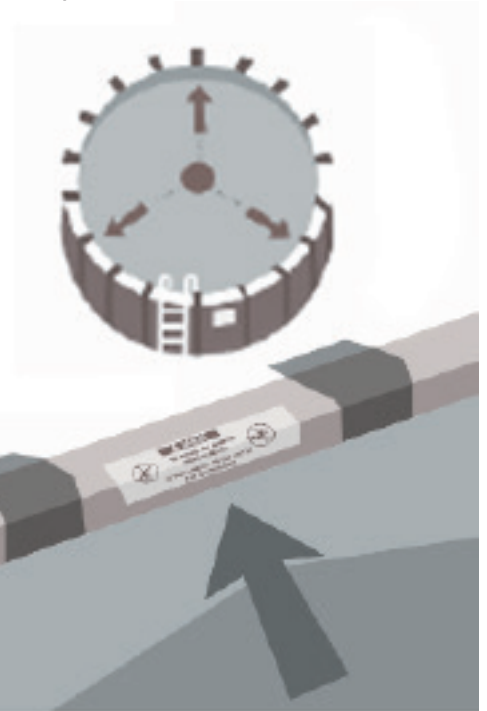
TO ATTACH THE DECALS AND SIGNS:

1. Peel the paper from the back of each decal or sign. Position as indicated in the images to the right.
2. Press the decal or sign firmly against the top ledge or wall making sure to not wrinkle the decal or sign.
3. Press out any bubbles, making sure decal or sign is firmly attached. Repeat process until all decals and signs have been applied.

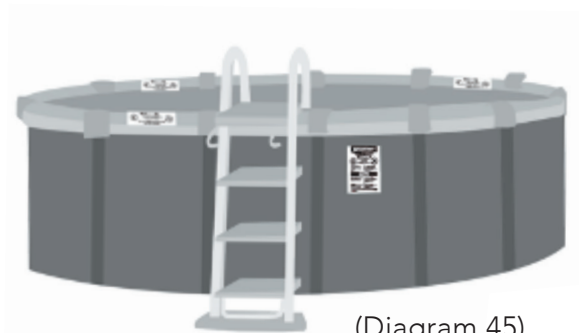
THESE WARNING DECALS & SIGNS ARE NOT TO BE REMOVED OR COVERED UNDER ANY CIRCUMSTANCES!

PLEASE NOTE:

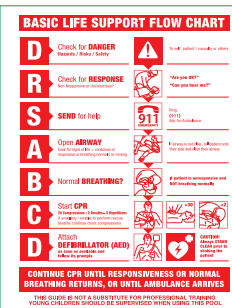
ALL LADDERS AND LINERS CONTAIN WARNING DECALS AS WELL. THESE MUST BE INSTALLED PER THE MANUFACTURER'S INSTRUCTIONS.



(Diagram 44)



(Diagram 45)



POOL MAINTENANCE

1. Keep the pool clean and maintain proper water chemistry by applying the correct pool chemicals. Unsanitary water is a serious health hazard.
2. Maintain pool pH level between 7.2 to 7.6.
3. Carefully follow the installation and other instructions in the filtration system manual.
4. Clean the liner regularly with non-abrasive brushes or an approved vacuum system.
5. Run filtration system at least one full day before using the pool. Allow enough time to ensure the pool water is completely filtered and sanitized before swimming.
6. For 52-in pools, make sure the water level is at least 6-in (15-cm) from the top or halfway up the skimmer opening before running the filter.

MONTAUK POOL WARRANTY

Warranties for the skimmer, ladder, liner, and filter system are found in their respective installation manuals.

Twenty-Five Year Prorated Limited Warranty

IMPORTANT

Carefully read and apply all safety warnings, cautions, and instructions detailed in the installation manual and the safety and warning package that came with the pool. The do not jump or dive decals and signs must be installed on the pool. Do not use slides, diving boards, or any other platforms for improper pool entry. Secure the pool to prevent unintended entry. Always supervise children around or in the pool.

MANUFACTURER'S STATEMENT

All swimming pool components have been manufactured to the highest industry standards, specifications and workmanship.

Each component has passed quality testing to ensure it will perform properly as part of your swimming pool. This warranty applies and protects the pool owner from manufacturing or workmanship defects only.

TERMS AND CONDITIONS OF THE WARRANTY

This warranty applies if the following conditions have been met:

- This warranty only applies to original (consumer) purchaser and is non-transferable.
- This warranty only covers the structure of the pool (wall and frame components).
- There are separate warranties for the skimmer, ladder, liner, filter system, and other accessories.
- The pool structure must be installed following the manufacturer's instructions.
- The pool must be used for the intended recreational purposes only.
- All transportation costs for components replaced under warranty are the responsibility of the pool owner.
- Pool components being returned under a warranty claim must be cleaned and safely packaged.
- Any labor to remove or reinstall a covered pool component is the responsibility of the purchaser (original pool owner).
- The warranty proration requirements have been met.

LIMITATIONS OF THE WARRANTY

This warranty does not cover the following:

- Damage to any component of the pool other than the actual frame and wall components.
- Replacement labor, cost of water, chemicals, or other installation materials.
- Damage to persons or property other than the pool frame and wall.
- Damage due to acts of nature, winter ice movement, animals, fire, or vandalism.
- Damage due to improper use or maintenance.
- Damage due to any modifications to the wall or frame structure of the pool.
- Damage due to chemical use or water leaks.
- Damage due to external circumstances like yard sprinklers, flooding, or other environmental situations.
- Damage due to the use of salt water.
- Damage due to improper installation or leaking of a thru-wall skimmer, return water fitting, or other opening in the pool wall.
- Damage due to normal wear and tear during expected life of the pool.
- Damage due to installation other than completely above ground. This pool may not be installed partially or completely below ground.

MONTAUK POOL WARRANTY continued

LENGTH AND PRORATION TERMS OF THIS WARRANTY:

The following 25-year warranty conditions and proration terms apply:

- The pool owner is responsible for all transportation costs related to warranty claims.
- During the proration period the owner is responsible for payment of the indicated percentage of the suggested retail price of the covered component.
- There will be a 10% handling and service charge on the list price applied to all components ordered.
- The warranty and proration years start with the date of purchase or pool installation and ends on December 31st of that year. A pool installed in June is in year 1 of the warranty until December 31st of that year. The following January 1st starts year 2 of the warranty period. The same dating applies throughout the prorated warranty years.
- Warranty and Proration schedule for MONTAUK pool wall and frame:

Total Years	Full/Free	Prorated	Percent Paid by Owner
25 Years	2 Years	Year 3-Year 5	50% of List Price
		Year 6-Year 10	60% of List Price
		Year 11-Year 15	70% of List Price
		Year 16-Year 30	80% of List Price

WARRANTY VALIDATION AND PROCEDURE TO START A WARRANTY CLAIM:

- The pool warranty must be registered with the local retailer or Blue Wave® Products within 30 days of the date of purchase. The warranty registration form is located in your safety and warning package.
- All warranty claims must be submitted to Blue Wave® Products, 1745 Wallace Avenue, St. Charles, IL 60174
- At least 6 pictures showing the general pool installation including a picture of the skimmer and water return section of the pool wall, a wide-angle picture of the backyard, and 4 pictures of the defective component(s) must be submitted with the original claim.
- A clear copy of the proof of purchase must be submitted with the original warranty claim.
- This warranty gives specific legal rights. The original pool owner also has implied warranty rights. In the event of a dispute the pool owner may seek legal satisfaction in the appropriate court's jurisdiction.

CARE AND MAINTENANCE SUGGESTIONS FOR WARRANTIED POOL COMPONENTS:

- Never let the pool stand empty of water.
- Winterize the pool as instructed by a local swimming pool specialist.
- Skimmer and water return gaskets should be inspected annually and replaced as necessary to prevent damage caused by water leaking between the liner and the wall.
- Keep bushes, water sprinklers, and other sources of moisture away from the pool wall.
- Use cleaning appliances designed for vinyl liner pools only.
- Maintain proper chemical water balance.
- Refer to the pool installation manual for additional care and maintenance information or speak with a local pool specialist.