

Chicago Series Vanity: 305-V60D-GW / 305-V60D-SC / 305-V60D-WWW

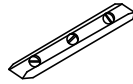
Assembly/Installation Instructions

For your safety and to achieve the best possible installation of this cabinet, James Martin Vanities always recommends you consult with a professional contractor. Two people are required for the assembly and installation of these cabinets.

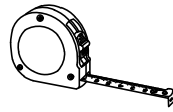
Important Notes:

This vanity cabinet may be used freestanding, or may be mounted to a wall (floating). If you are using this cabinet as a freestanding unit with the stainless steel legs, please follow the instructions on pages 05 - 06 *. If you are using this cabinet as a wall mounted (floating) unit, please refer to pages 01 - 04 and 06 * .

Materials for Installation:



Level

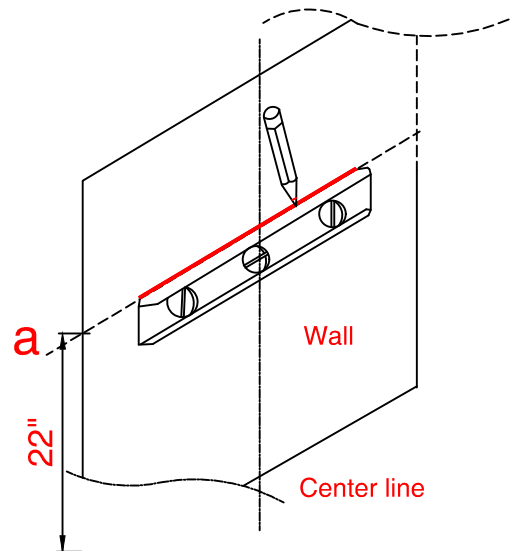
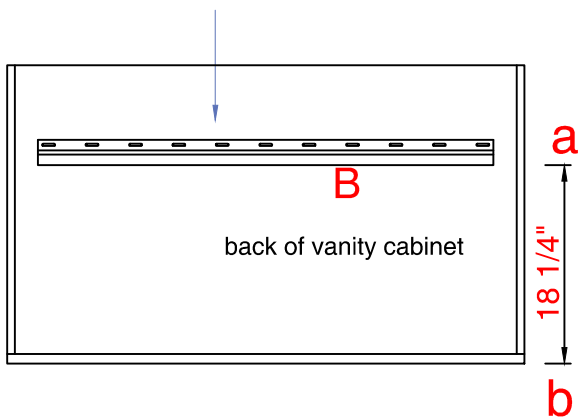


Tape Measuring



Pencil

A pre-attached metal mounting (French Cleat) brackets (two pieces)



Step 1 Notes:

The metal mounting brackets have been pre-installed to the backside of the cabinet 18 1/4" from the bottom of the cabinet, remove one piece from the backside of the cabinet .

Step 2 Notes:

Draw a horizontal line on the wall at your desired height. For this cabinet, most people use a height of 22"

Chicago Series Vanity: 305-V60D-GW / 305-V60D-SC / 305-V60D-WWW

Assembly/Installation Instructions

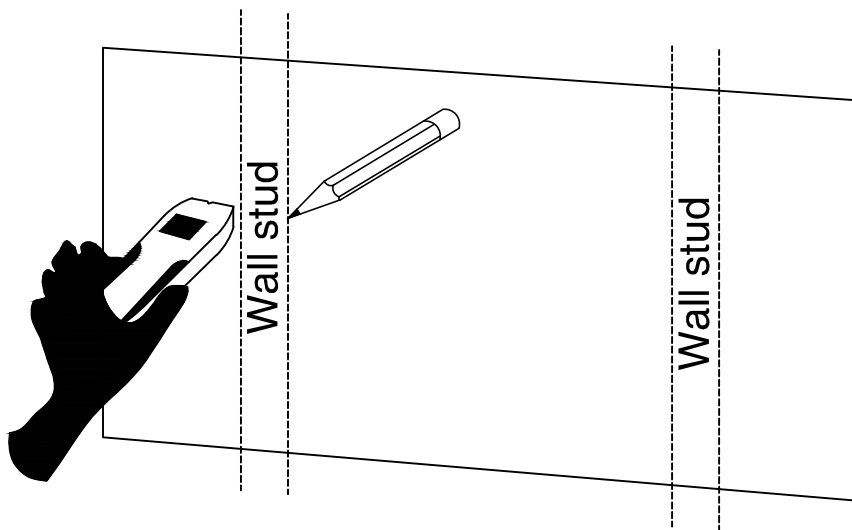
**Materials
for
Installation:**



Stud Finder



Pencil



Step 3 Notes:

Locate and mark the position of the wall's interior studs to which you will fasten the metal bracket. We recommend the use of an electronic stud finder to locate the studs.

(Alternately, you may find studs by listening for a solid sound as you knock on the wall)

Special Note 1:

If the studs in your bathroom do not line up to the mounting location for your vanity, additional wood blocking can be installed between the studs using standard 2 x 4 lumber.

Special Note 2:

Due to the narrow width of this cabinet, you may decide to use drywall anchors if the wall studs are not spaced appropriately.

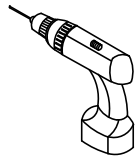
IMPORTANT:

James Martin Vanities recommended you always consult with professional installers and contractors regarding the correct installation of our products.

Chicago Series Vanity: 305-V60D-GW / 305-V60D-SC / 305-V60D-WWW

Assembly/Installation Instructions

**Materials
for
Installation:**



Drill



Pencil

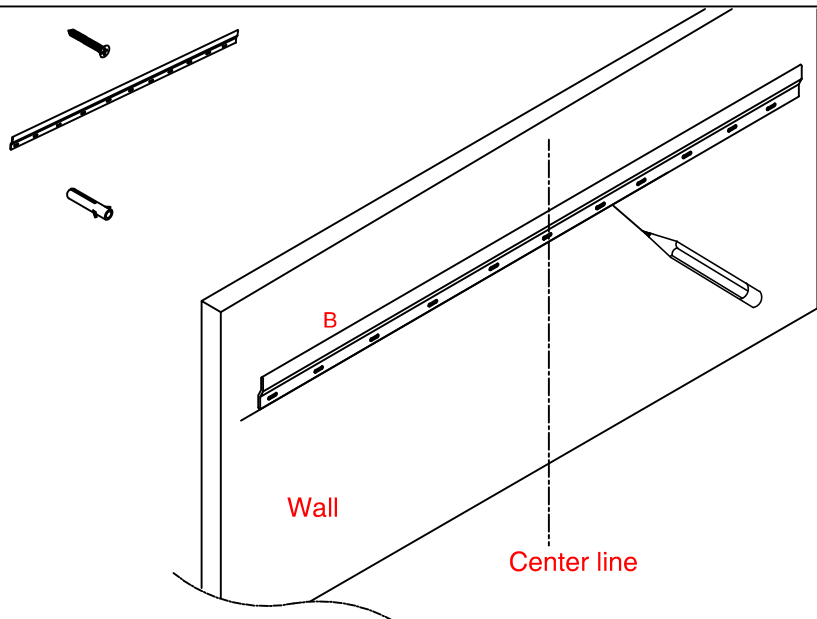


Hammer

A=11PCS screws for bracket Ø4*40mm

B=1PC metal bracket (42 1/8" 1070mm)

C=11PCS drywall anchors (optional)* Ø8*38mm

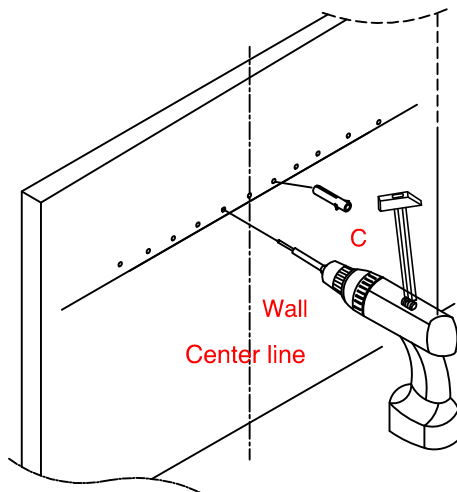


Step 4 Notes:

After you have located the wall studs, position the metal bracket so the holes align with the center points of the studs. Mark these positions with a pencil.

Step 5 Notes:

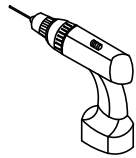
Drill holes for the screws in the positions you have marked with the pencil. Drill the holes' depth no less than 1 1/2", insert hardware C (drywall anchors) to the holes by using hammer if wall studs are not in the correct positions



Chicago Series Vanity: 305-V60D-GW / 305-V60D-SC / 305-V60D-WWW

Assembly/Installation Instructions

**Materials
for
Installation:**

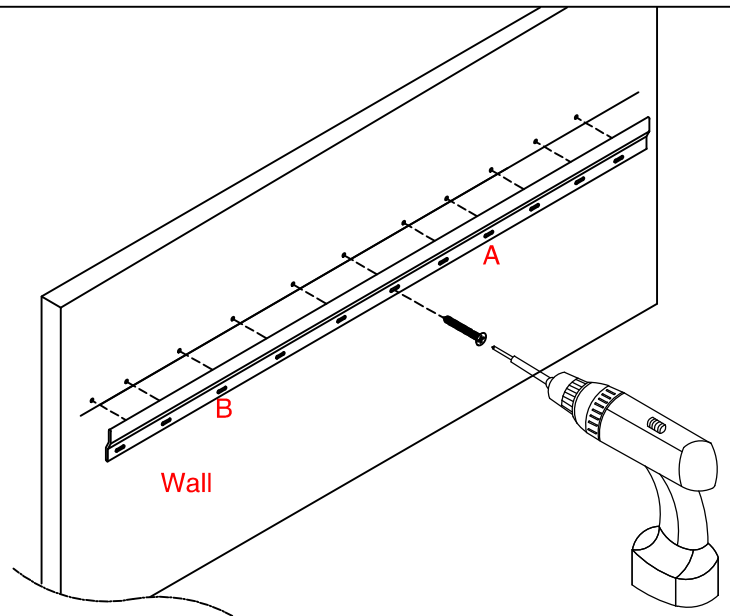


Drill

Step 6 Notes:

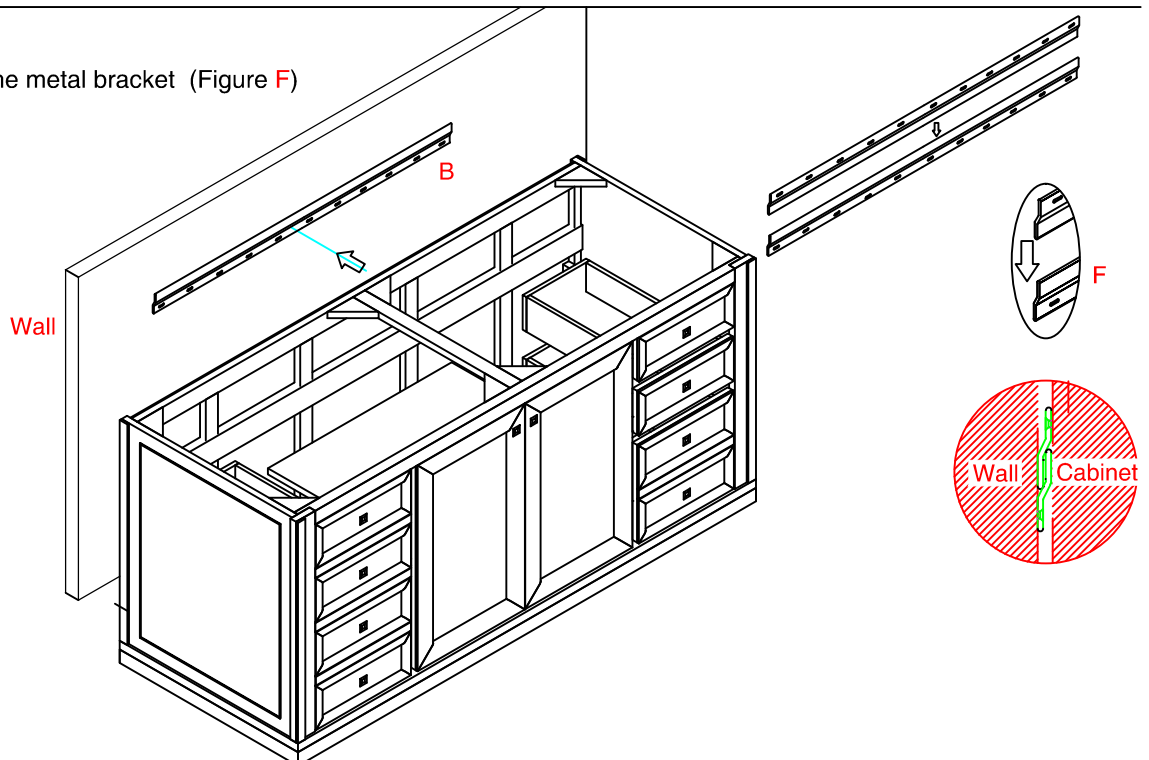
Attach the metal bracket **B** to the wall using the screws **A** included in the red hardware bag.

*Use hardware **C** (drywall anchors) if wall studs are not in the correct positions.



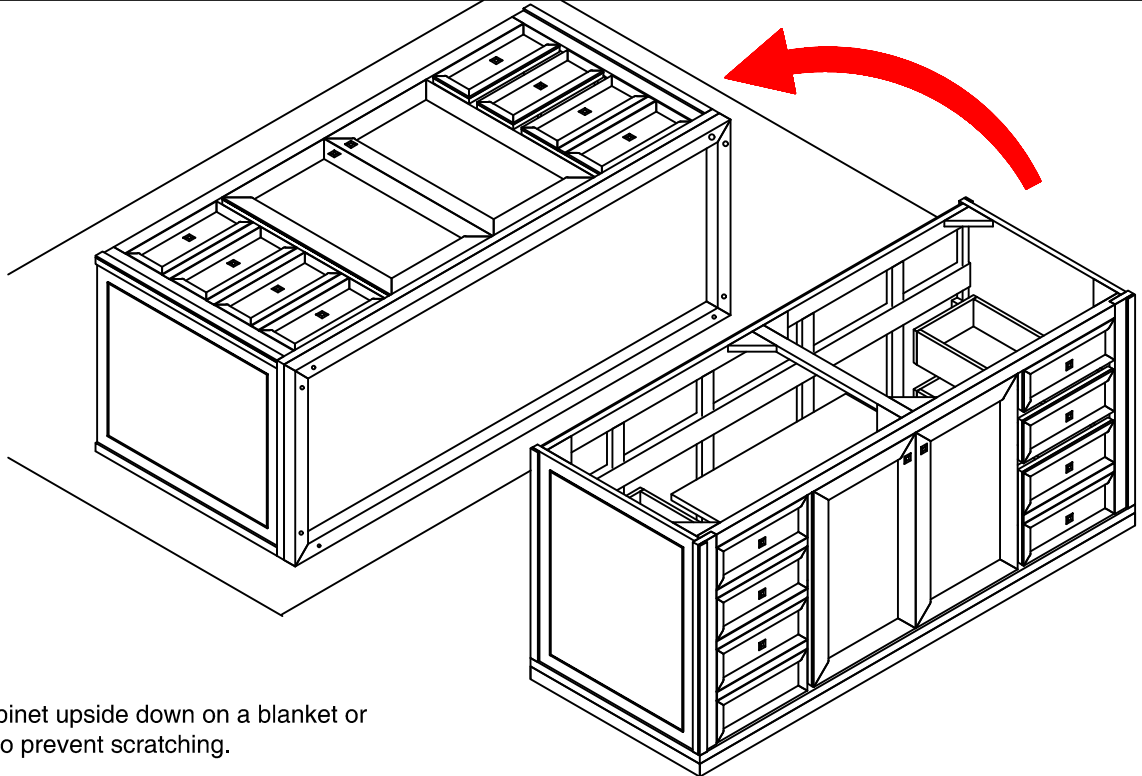
Step 7 Notes:

Hang the cabinet on the metal bracket (Figure F)



Chicago Series Vanity: 305-V60D-GW / 305-V60D-SC / 305-V60D-WWW

Assembly/Installation Instructions



Step 1b Notes:

Place the vanity cabinet upside down on a blanket or other soft material to prevent scratching.

Step 2b Notes:

Attach the countertop to the cabinet, secure the bolts (D) by turning the Allen Wrench (E)

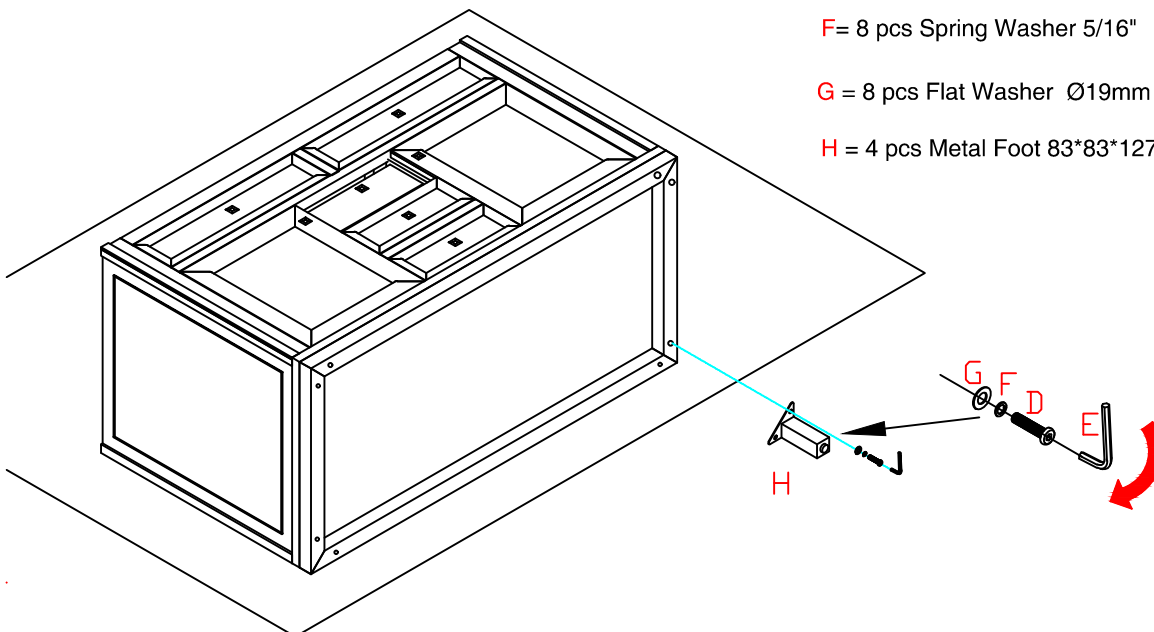
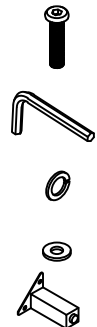
D = 8 pcs Bolt 5/16" x 3/4"

E = 1 pc Allen Wrench #05

F = 8 pcs Spring Washer 5/16"

G = 8 pcs Flat Washer Ø19mm

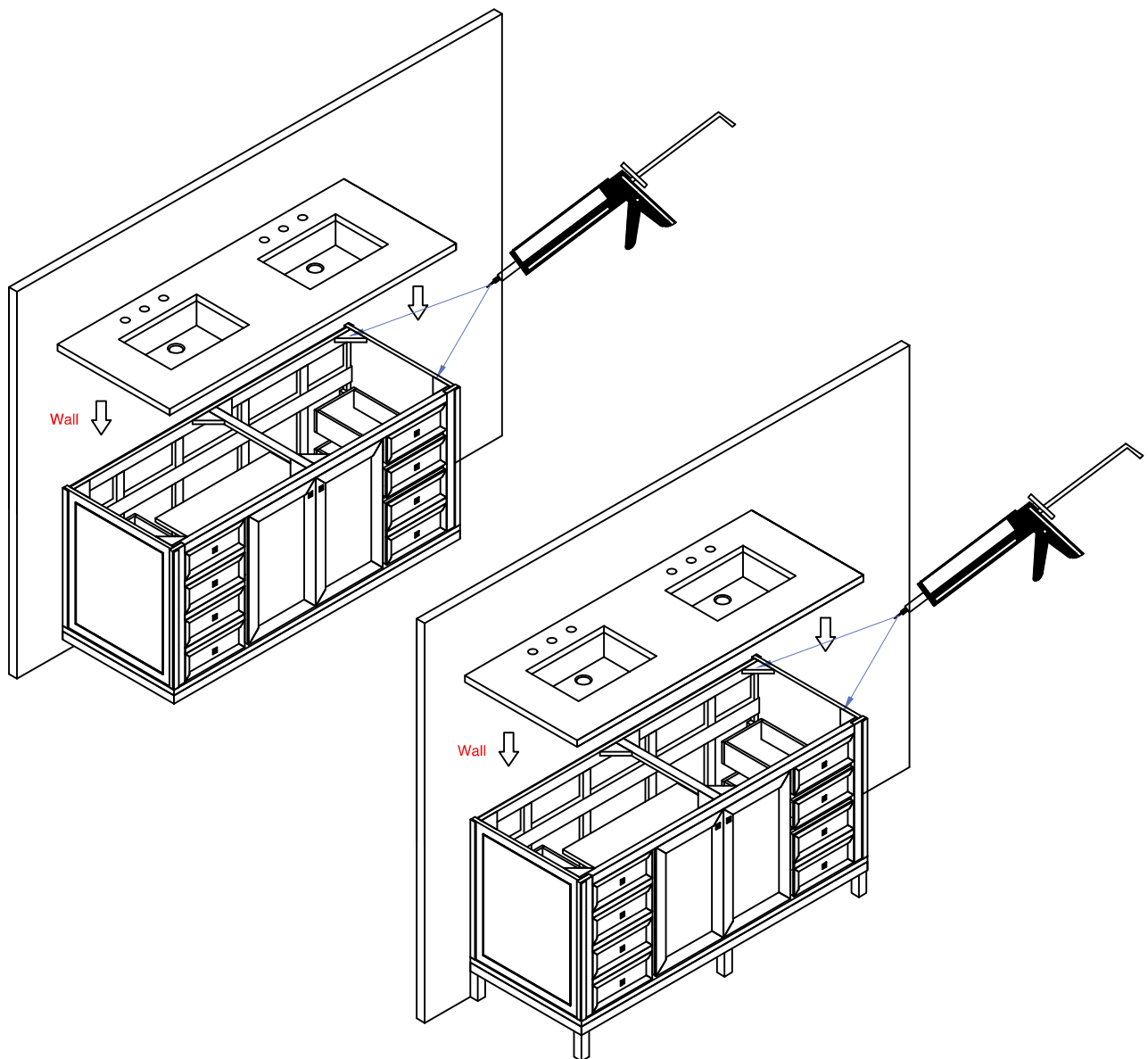
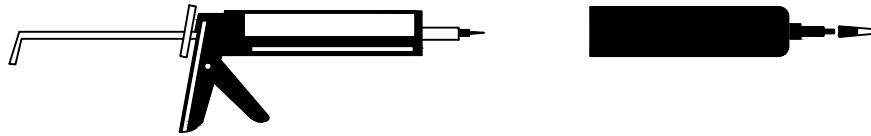
H = 4 pcs Metal Foot 83*83*127mm



Chicago Series Vanity: 305-V60D-GW / 305-V60D-SC / 305-V60D-WWW

Assembly/Installation Instructions

**Materials
for
Installation:**



Step 8 Notes:

Properly align and secure the countertop to the cabinet with high quality adhesive.