

QUICK DISC SERIES

120V AC LED Disc Light

Multi-purpose surface mount disc for use with standard and pancake junction boxes. The sleek, low-profile design is available in two sizes and two color temperatures. An energy-saving dimmable LED light, with driver on-board, and polycarbonate lens to diffuse and soften light. Easy mounting style makes installation quick and hassle-free.

- Excellent color rendering (90+ CRI)
- 3000K or 4000K (6" only) options
- Two sizes available with up to 1050 lumens
- Available in white or dark bronze
- Low profile design, as little as 1" high
- On-board driver
- Polycarbonate lens for diffuse, soft light
- Dimmable with most ELV and TRIAC dimmers
- cETLus Listed for Wet locations
- 35,000 hours rated life
- ENERGY STAR certified



QUICK DISC QUICK SPECS

SIZE	4" / 6"
INPUT VOLTAGE	120V AC, 60Hz
WATTAGE	9W / 15W
LUMENS	650Lm / 1050Lm
CCT	3000K / 4000K
CRI	90+
DIMMING	10-100%* with most TRIAC and ELV dimmers
BEAM ANGLE	120°
OPERATING TEMP	-10°C (-14°F) to 50°C (122°F)**
CERTIFICATIONS	cETLus - wet locations, Energy Star
RATED LIFE	35,000 Hours

*Minimum loads may apply. Per the NEC, switched wall outlets cannot be used with wall dimmers.
 **Do not install in inclement weather or extreme temperatures conditions (i.e. -25°C (13°F) and below).

PROJECT: _____

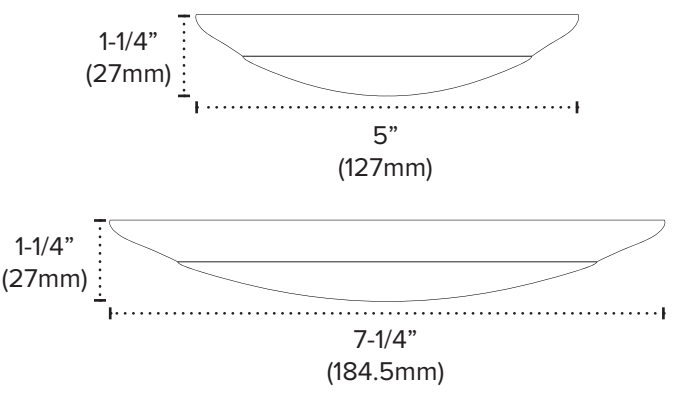
TYPE: _____

LOCATION: _____

CATALOG NUMBER: _____



QUICK DISC QUICK DIMENSIONS



QUICK DISC ORDERING INFORMATION

ITEM NUMBER	DESCRIPTION	VOLTAGE	WATTAGE	LUMENS	CCT	FINISH
QD4-30-WH	4" 3000K white disc light	120V AC	9W	650Lm	3000K	White
QD4-30-DB	4" 3000K dark bronze disc light	120V AC	9W	650Lm	3000K	Dark Bronze
QD6-30-WH	6" 3000K white disc light	120V AC	15W	1050Lm	3000K	White
QD6-30-DB	6" 3000K dark bronze disc light	120V AC	15W	1050Lm	3000K	Dark Bronze
QD6-40-WH	6" 4000K white disc light	120V AC	15W	1050Lm	4000K	White

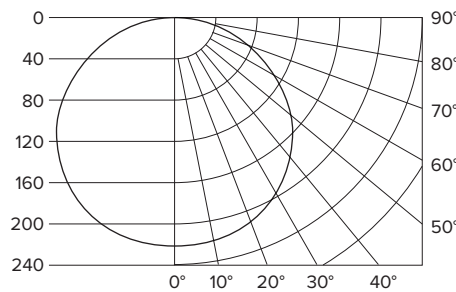
COMPATIBLE DIMMERS

BRAND	ITEM NUMBER	DESCRIPTION	DIMMING RANGE
Lutron® Diva	DVCL-153P	Universal (CFL/LED/Incandescent)	5-100%
Lutron® Toggler	TGCL-153PH	Universal (CFL/LED/Incandescent)	10-100%
Lutron® Skylark	SELV-300P	Electronic Low-Voltage (ELV)	5-100%
Lutron® Diva	DV-600P	Incandescent	5-100%
Leviton® Sureslide	6674	Universal (CFL/LED/Incandescent)	5-100%

QUICK DISC SERIES PHOTOMETRICS

QD4

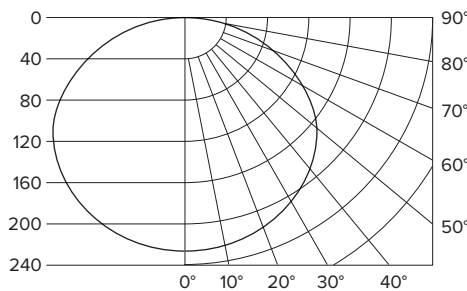
PART NUMBER	QD4-30-WH
BEAM SPREAD	115.5°
LUMENS	564.6 Lm
WATTAGE	9W
EFFICACY	62.8 Lm/W
CCT	3000K
CRI	94.3



Avg. Foot Candles	Distance From Light	Beam Dia.
3.0	4'	12.7'
1.3	6'	19'
0.8	8'	25.4'
0.5	10'	31.7'
0.3	12'	38'
0.2	14'	44.4'

QD6

PART NUMBER	QD6-30-WH
BEAM SPREAD	114.9°
LUMENS	984.33 Lm
WATTAGE	15W
EFFICACY	65.6 Lm/W
CCT	3000K
CRI	93.2



Avg. Foot Candles	Distance From Light	Beam Dia.
5.4	4'	12.5'
2.4	6'	18.8'
1.4	8'	25.1'
0.9	10'	31.3'
0.6	12'	37.6'
0.4	14'	43.9'