

CONTENTS

Safety - **2**
Tools needed - **3**
Parts - **3**
Accessories - **4**
Dimensions - **5**
Recess Mounting - **6**
Final Assembly - **9**
Use and Maintenance - **10**
Warranty - **10**

[Scan the QR code to see the entire PL Portray Series of cabinets.](#)



Use the camera app on your mobile device to look at this and other QR codes. This will allow you to quickly access web pages and other relevant documents.

GENERAL INFORMATION

This instruction manual contains information on how to recess mount the PL Portray Series cabinet. This series comes in many sizes. Refer to the specific model numbers for dimensions. These cabinets are modular and can be mounted with lighting.

Read the specific instruction for how your cabinet(s) will be mounted. The cabinets can be surface mounted or recess mounted.

Save these instructions for future use and reference. An improper installation voids the warranty. Installed cabinets cannot be returned.

If you experience any problems with your cabinet, contact your dealer or Robern directly.

Limited Warranty — One Year Term

* For surface mounting and other installation instructions, see page 4.

SAFETY

IMPORTANT SAFETY INSTRUCTIONS

DANGER: Read all instructions before using this cabinet.

CAUTION: Maximum shelf load 34lbs/15.4kg

When using an electrical furnishing, basic precautions should always be followed, including the following:

WARNING: To reduce the risk of burns, fire, electric shock, or injury to persons:
Use this furnishing only for its intended use as described in these instructions.
Do not use attachments not recommended by the manufacturer.
Never drop or insert any object into any opening.
Do not use outdoors.

WARNING: Risk of electric shock. Connect this furnishing to a properly grounded circuit only. See Grounding instructions.

GROUNDING INSTRUCTIONS

This product must be connected to a grounded metal, permanent wiring system, or an equipment-grounding conductor must be run with the circuit conductors and connected to the equipment-grounding terminal or lead on the product.

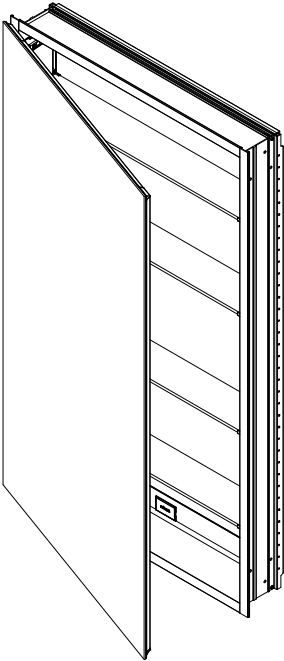
WARNING: Electrical option cabinet must be wired to a Class A 20 Amp GFCI (Ground Fault Circuit Interrupter) protected circuit when used in bathrooms and all other locations required by the National Electric Code.

SAVE THESE INSTRUCTIONS

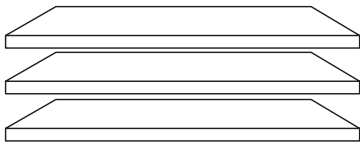
TOOLS NEEDED



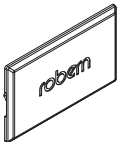
PARTS



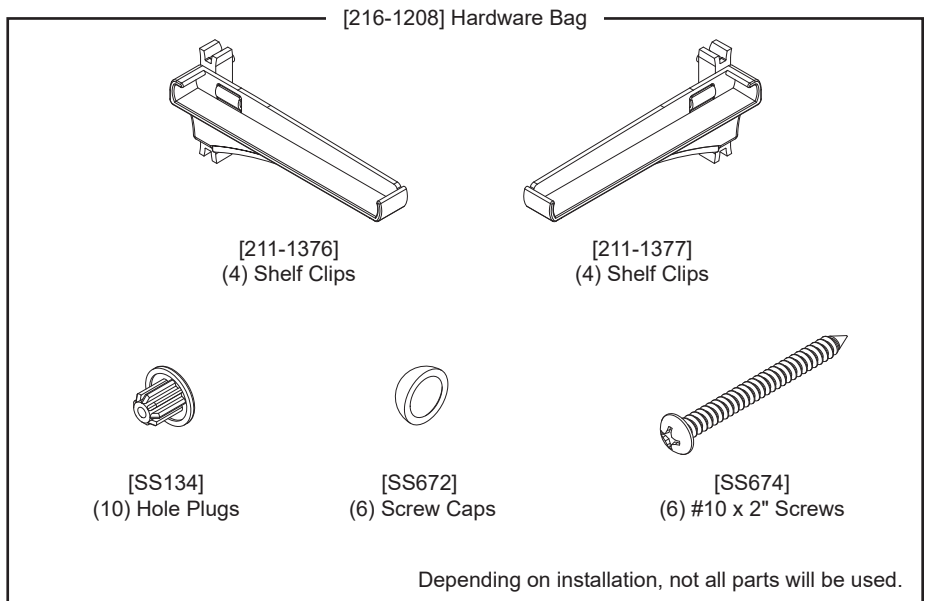
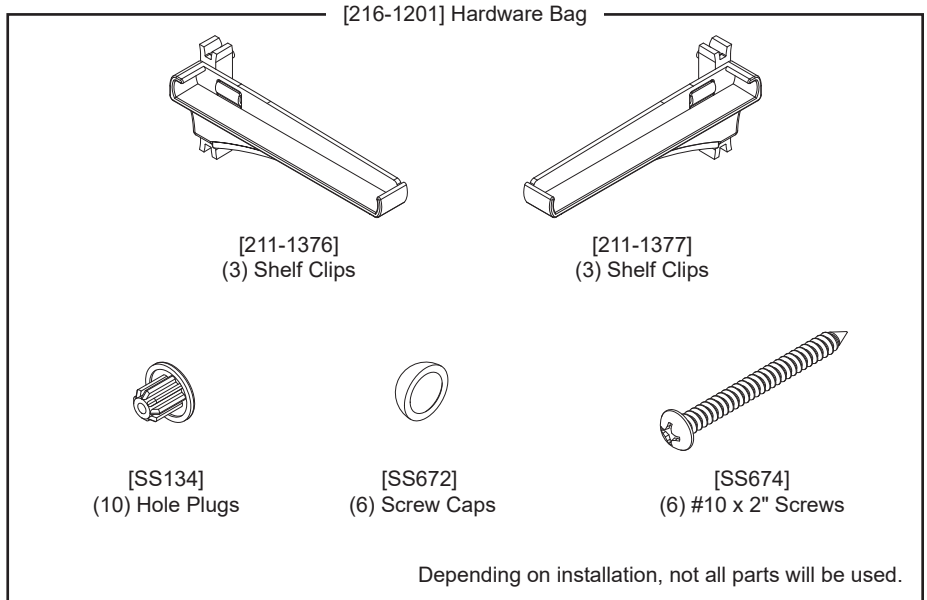
(1) PL Portray Series Cabinet



(3-4) Glass Shelves



[211-1329]
(2) Robern Logo Coverplates

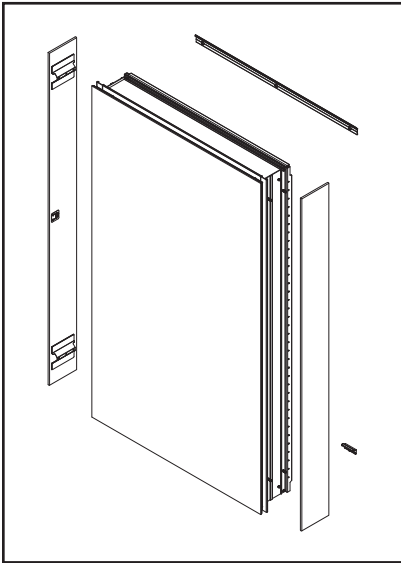


ACCESSORIES

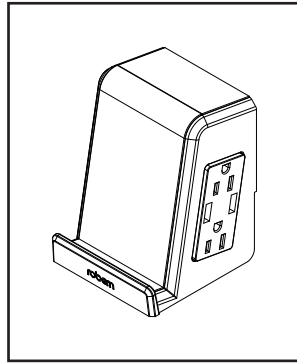
Scan the available QR codes to learn more about these accessories at Robern.com

Surface Mount Kit P2SMKITXXD4P

XX (Heights available): 20, 26, 30, 36, 40



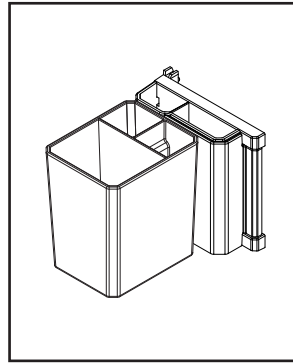
Portray Electric Upgrade P2ELECTRIC



For Electric Upgrade Instructions:



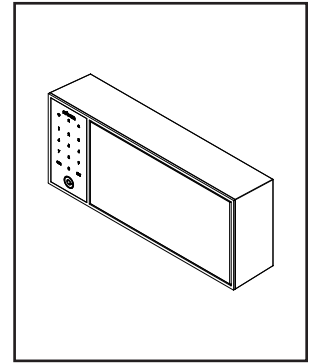
Portray Quick Caddy QUICKCADDY



For Quick Caddy Instructions:



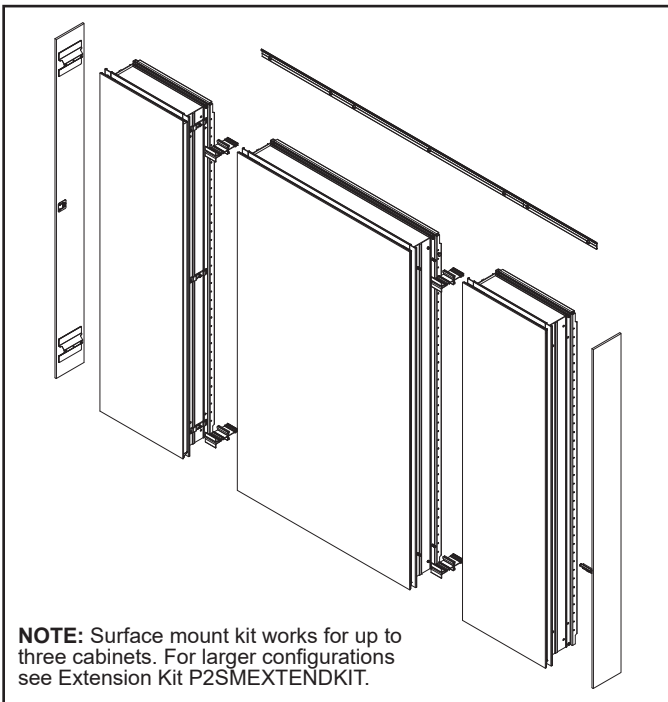
IQ Digital Lock Box 211-1331



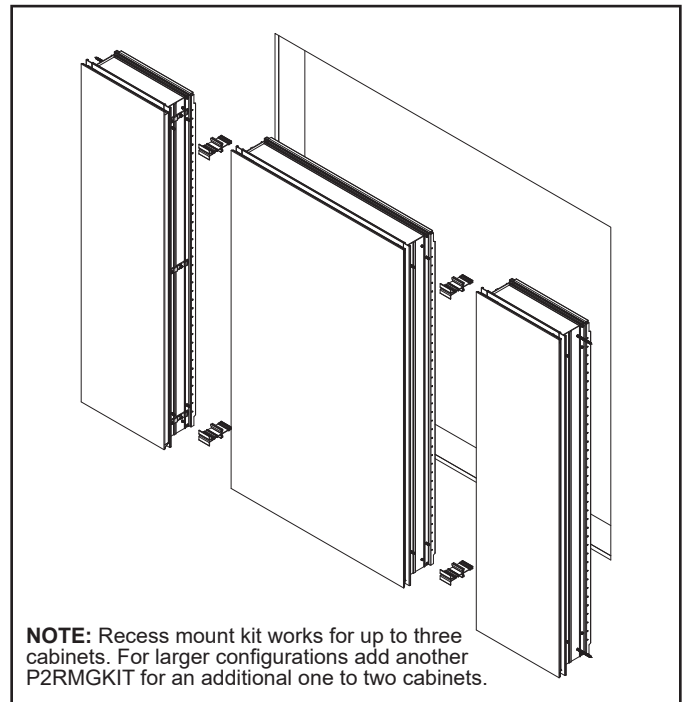
For Digital Lock Box Instructions:



Ganging-Surface Mount Kit P2SMG-KITXXD4P XX (Heights available): 20, 26, 30, 36, 40

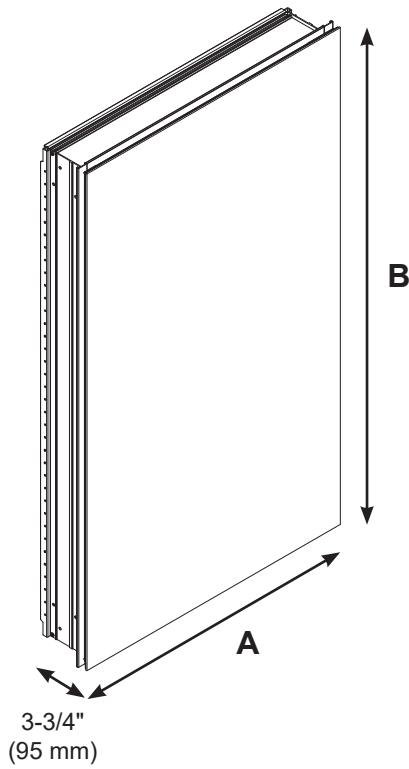


Ganging-Recess Mount Kit P2RMGKIT



DIMENSIONS

Determine overall cabinet dimensions. If recessing cabinet, determine rough-in dimensions. See chart for specific model dimensions.



Rough Opening (RO) for recessed installation in chart below

Number in the column headings below reference the cabinet dimensions from the model number, width and height (WWHH)

	1230	1236	1240	1620	1626	1630	1636	1640	2030	2036	2040	2430	2436	2440
A	11-1/4" (286 mm)	11-1/4" (286 mm)	11-1/4" (286 mm)	15-1/4" (388 mm)	15-1/4" (388 mm)	15-1/4" (388 mm)	15-1/4" (388 mm)	15-1/4" (388 mm)	19-1/4" (489 mm)	19-1/4" (489 mm)	19-1/4" (489 mm)	23-1/4" (591 mm)	23-1/4" (591 mm)	23-1/4" (591 mm)
B	30" (762 mm)	36" (915 mm)	39-3/8" (1001 mm)	20" (508 mm)	26" (661 mm)	30" (762 mm)	36" (915 mm)	39-3/8" (1001 mm)	30" (762 mm)	36" (915 mm)	39-3/8" (1001 mm)	30" (762 mm)	36" (915 mm)	39-3/8" (1001 mm)
RO (A)	10-1/2" (267 mm)	10-1/2" (267 mm)	10-1/2" (267 mm)	14-1/2" (369 mm)	14-1/2" (369 mm)	14-1/2" (369 mm)	14-1/2" (369 mm)	14-1/2" (369 mm)	18-1/2" (470 mm)	18-1/2" (470 mm)	18-1/2" (470 mm)	22-1/2" (572 mm)	22-1/2" (572 mm)	22-1/2" (572 mm)
RO (B)	29-1/4" (743 mm)	35-1/4" (896 mm)	38-5/8" (982 mm)	19-1/4" (489 mm)	25-1/4" (642 mm)	29-1/4" (743 mm)	35-1/4" (896 mm)	38-5/8" (982 mm)	29-1/4" (743 mm)	35-1/4" (896 mm)	38-5/8" (982 mm)	29-1/4" (743 mm)	35-1/4" (896 mm)	38-5/8" (982 mm)

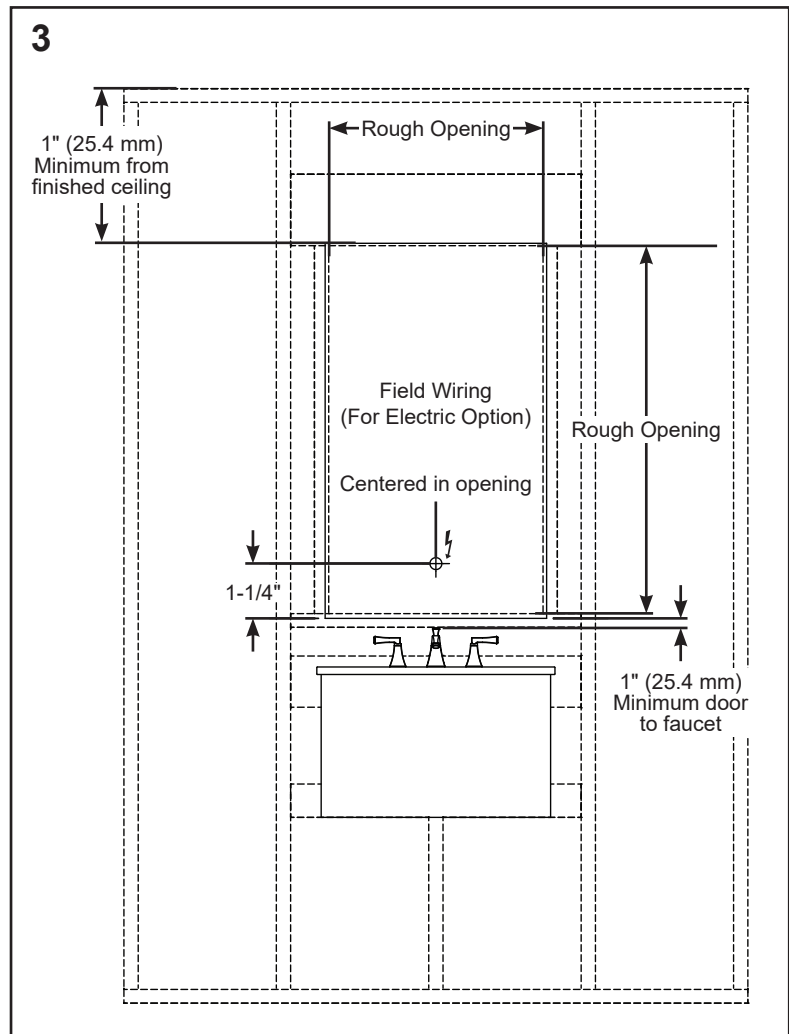
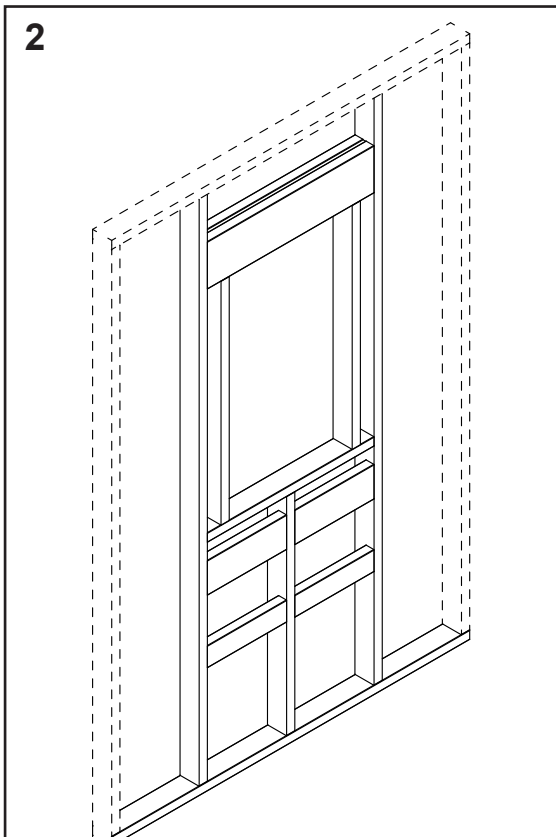
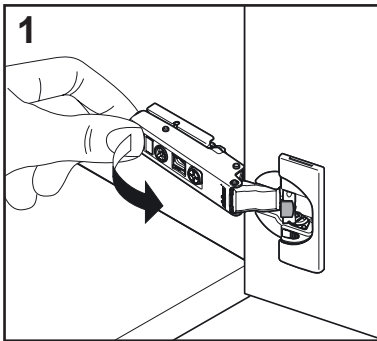
RECESS MOUNTING

These instructions are for recess mounting your cabinet. Before beginning installation remove and set the door aside in a safe place.

NOTES: The cardboard sleeve attached to the door protects the edges and corners of the door during installation. Ensure that the cabinet is mounted so that the door has at least 1" (25mm) clearance from the top of the faucet and at least 1" (25mm) clearance from the ceiling.

1. Remove door from cabinet by taking the hinges off of the mounting plates.
2. Make rough opening and frame on all sides. Find the specific model dimensions to make rough opening (page 5).
3. Electrical Option Cabinets: Provide a separate electrical connection for electrical options and lighting. Pull electric wire through the hole. Be sure to provide enough wire to make proper and safe connections to Portray Electric Upgrade.

WARNING: An Electrical option cabinet must be wired to a Class A 20 Amp GFCI (Ground Fault Circuit Interrupter) protected circuit when used in bathrooms and all other locations required by the National Electric Code.



robern

© 2020 Robern, Inc. 701 N. Wilson Ave. Bristol, PA 19007 U.S.A.
800.877.2376 www.robern.com

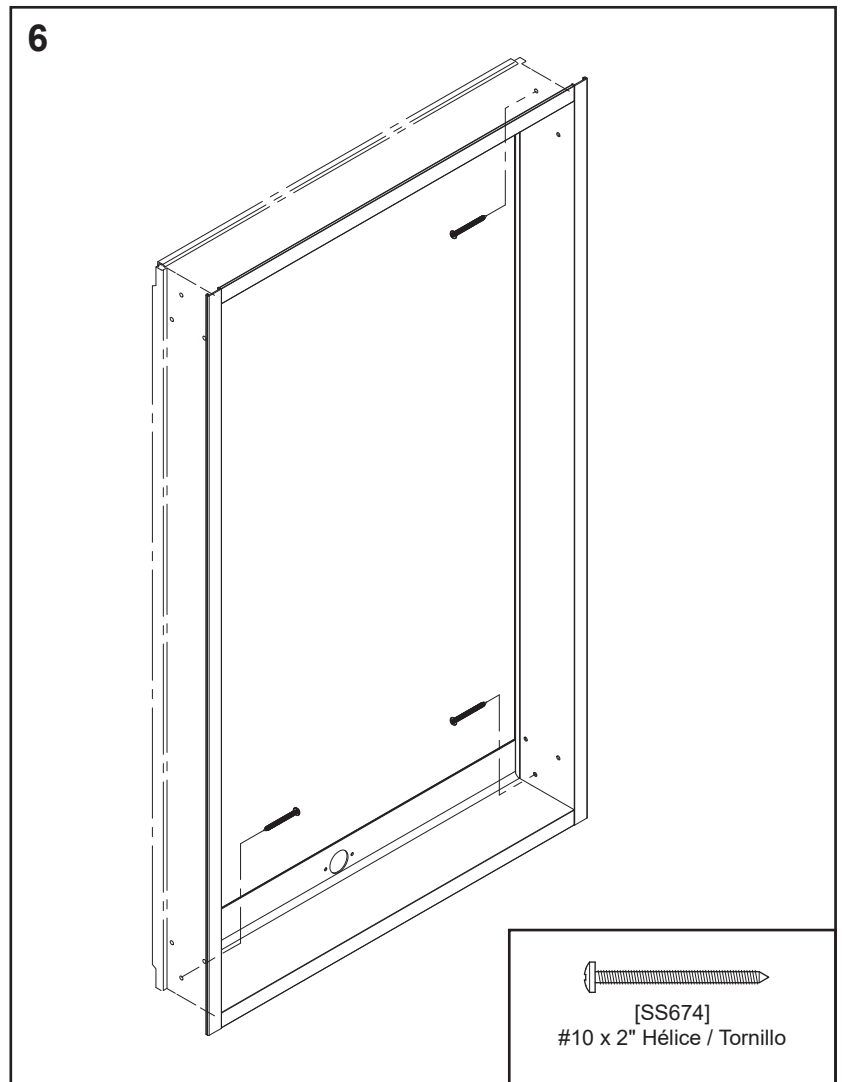
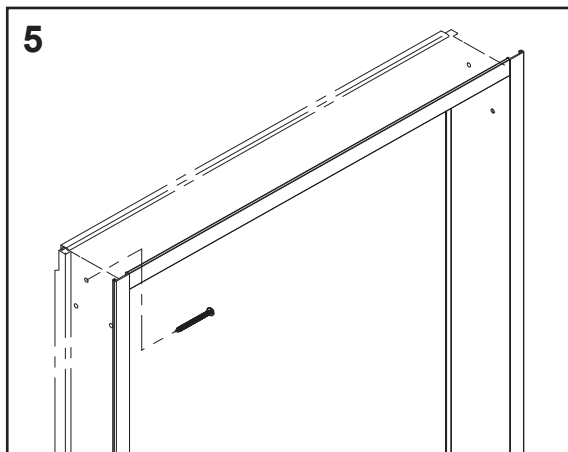
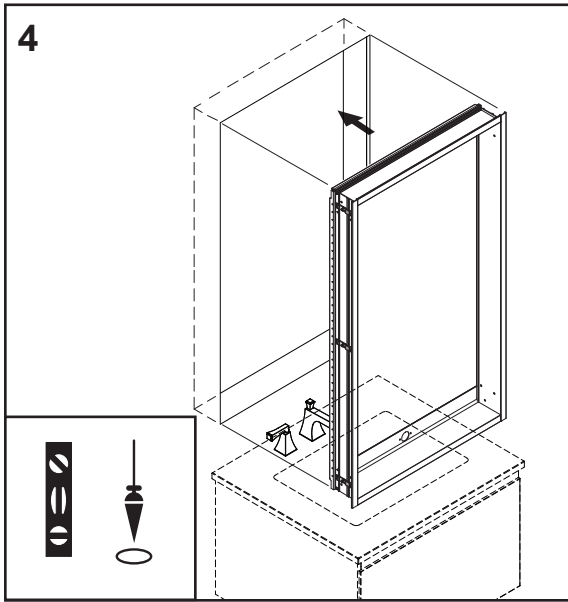
Installation instructions

RECESS MOUNTING

4. Place cabinet in rough-in and make sure cabinet is installed square, plumb, and level.

5. Install a #10 X 2" screw [SS674] through top mounting hole in cabinet side and screw into wall stud as shown. Do not over-tighten screws or cabinet box may deform.

6. Once cabinet is installed square, plumb, and level, install #10 X 2" screws into wall studs through the three remaining mounting holes. Do not over tighten screws.



robern

© 2020 Robern, Inc. 701 N. Wilson Ave. Bristol, PA 19007 U.S.A.
800.877.2376 www.robern.com

Installation instructions

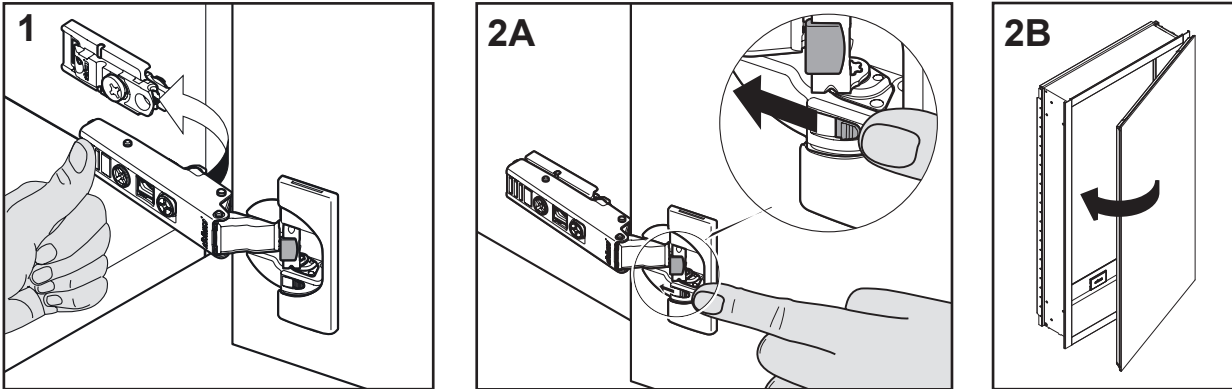
Part no. CB-209-1350 10/27/20
PL Portray Cabinet

FINAL ASSEMBLY

1. Align door and reattach hinges to mounting plates until audible click is heard. Ensure all hinges are fully seated before attempting to adjust door.

2A. For small or light doors, the slow close feature can be deactivated on one of the hinges.

2B. Door must be closed once for the deactivation to be complete. To reactivate, move switch back to original position.

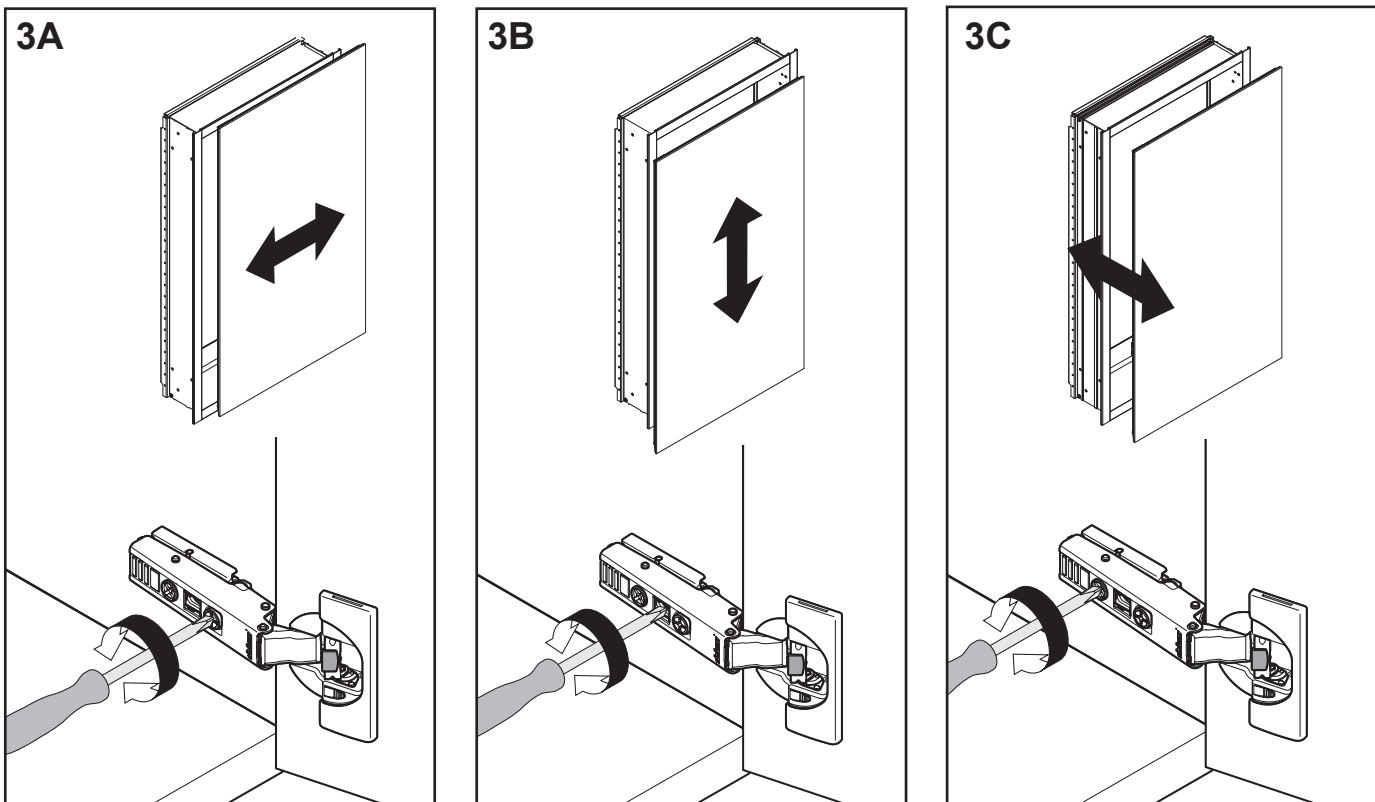


NOTE: The door hinges have a three-way adjustment feature. These adjustments can be made using a #2 Phillips Head screwdriver.

3A. Side adjustment – Rotate front screw to increase or decrease door overlay.

3B. Height adjustment – Rotate cam screw on mounting plate to adjust door.

3C. Depth adjustment – Rotate rear spiral tech cam screw to adjust door gap.



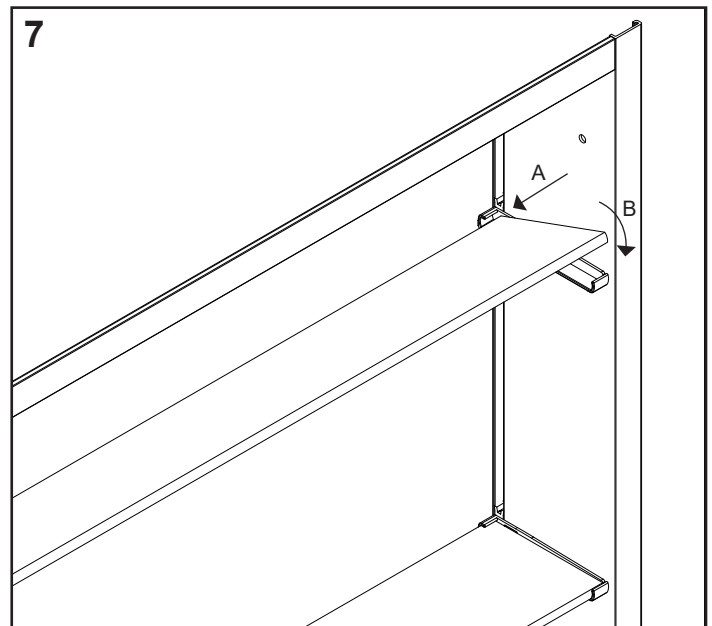
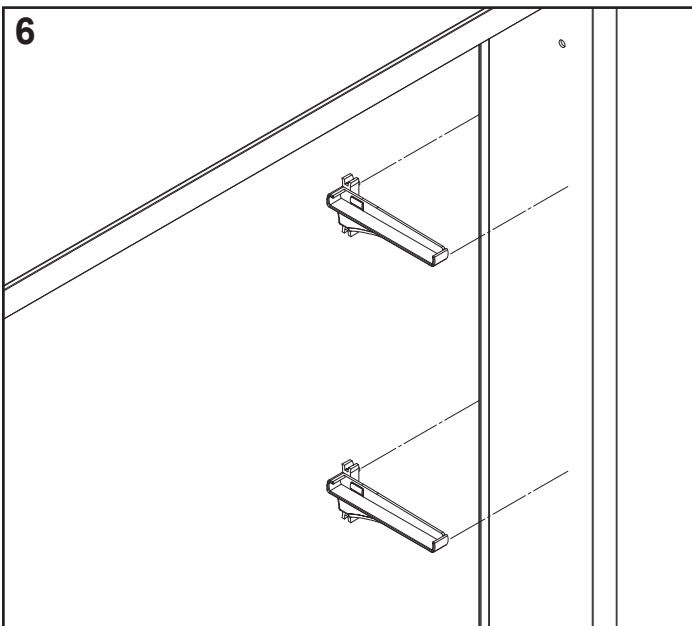
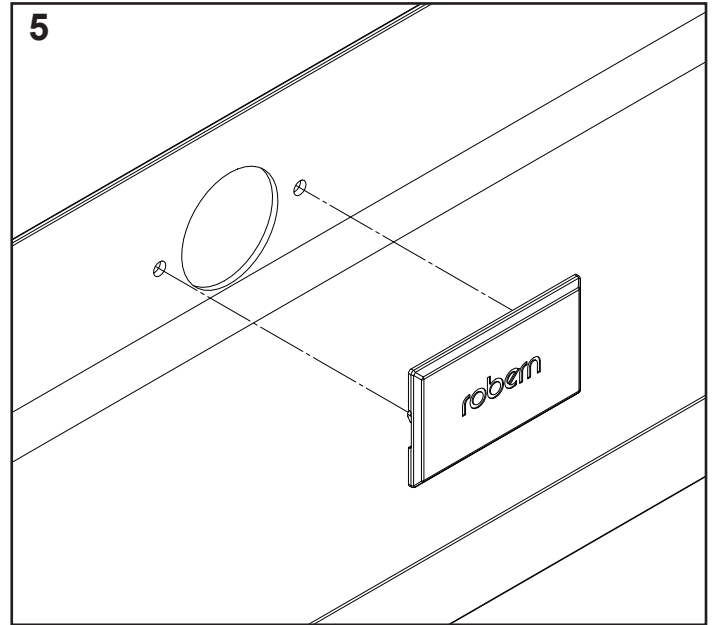
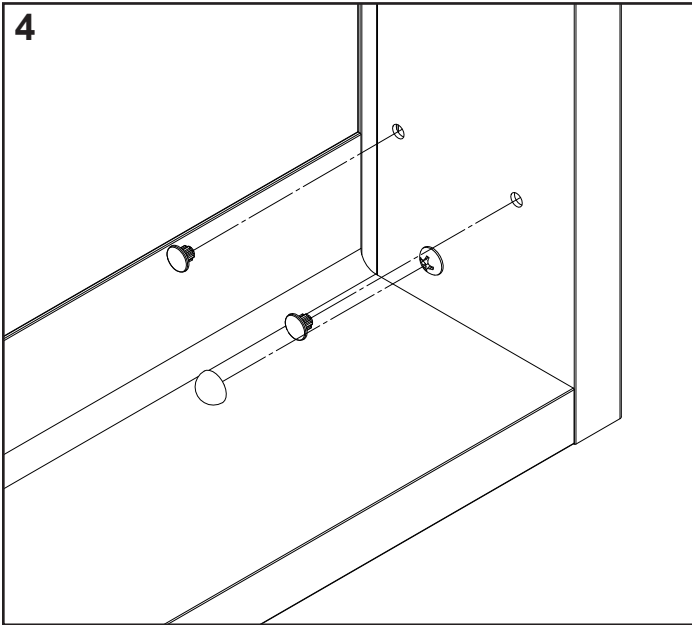
robern

© 2020 Robern, Inc. 701 N. Wilson Ave. Bristol, PA 19007 U.S.A.
800.877.2376 www.robern.com

Installation instructions

FINAL ASSEMBLY

4. Press the Shelf Hole Plugs [SS143] into the unused holes inside the cabinet. Place the Screw Head Caps [SS672] over any exposed screw heads.
5. Install Robern Logo Coverplate [211-1329] into unused electrical access hole.
6. Insert clear Shelf Clips [221-1376] and [211-1377] into the holes in the back channel on the sides of the cabinet.
7. Push the back of the shelf into both the left and right clips (A). Snap the shelf down into the clips (B).



robern

© 2020 Robern, Inc. 701 N. Wilson Ave. Bristol, PA 19007 U.S.A.
800.877.2376 www.robern.com

Installation instructions

Part no. CB-209-1350 10/27/20
PL Portray Cabinet

USE AND MAINTENANCE

CAUTION: Maximum shelf load 34 LBS

The cabinet door and interior are constructed of mirrored glass and aluminum. Use only a damp cloth to clean. Ammonia or vinegar-based cleaners can damage mirrors.

A 50/50 solution of water and isopropyl alcohol is recommended for cleaning the mirrors. A mild detergent may be used on the surfaces.

When cleaning, spray the cloth, not the cabinet, mirror, or surround surfaces. Do not use abrasive cleansers on any part of the light fixture.

NOTE: Do not store items in the cabinet area directly behind the hinge as damage may occur to cabinet or items.

No Ammonia
No Vinegar



WARRANTY

Limited Warranty One Year Term

ROBERN warrants to the original purchaser that, it will, at its election repair, replace, or make appropriate adjustment to products made by this company shown to have significant defects in material or workmanship which are reported to ROBERN in writing within one (1) year from the date of delivery. ROBERN is not responsible for installation costs. The warranty is void in the event the product is damaged in transit, or if damage or failure is caused by abuse, misuse, abnormal usage, faulty installation, damage in an accident, improper maintenance, or any repairs other than those authorized by ROBERN. At the expiration of the one year warranty period, ROBERN shall be under no further obligation under any warranty, expressed or implied, including the implied warranty of merchantability. ROBERN shall not be liable for any consequential damages arising out of or in connection with the use or performance of its products. Some states do not allow limitations on how long an implied warranty lasts or do not allow the exclusion or limitation of incidental or consequential damages, so the above limitation or exclusion may not apply to you. Any liability against ROBERN under any implied warranty, including the warranty of merchantability, is expressly limited to the terms of this warranty. Permission to return any merchandise under this warranty must be authorized by ROBERN and returned prepaid by the purchaser. Claims under this warranty should be sent directly to your dealer.

©2020 ROBERN, INC.

ALL RIGHTS RESERVED

robern

© 2020 Robern, Inc. 701 N. Wilson Ave. Bristol, PA 19007 U.S.A.
800.877.2376 www.robern.com

Part no. CB-209-1350 10/27/20
PL Portray Cabinet