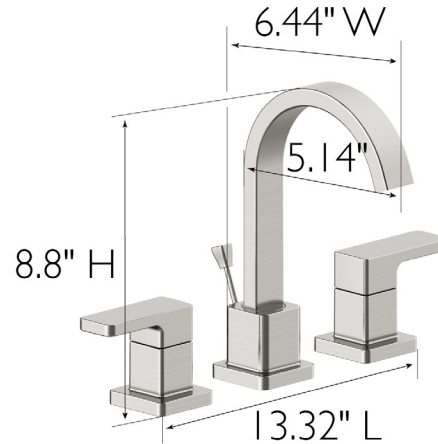


Karsen II Widespread Bathroom Faucet  
Satin Nickel



**SPECIFICATIONS**

<b>MATERIAL:</b>	Zinc/Brass/Plastic	<b>FLOW RATE:</b>	1.2 GPM
<b>HANDLE MATERIAL:</b>	Zinc	<b>LOW FLOW:</b>	Yes
<b>SPOUT MATERIAL:</b>	Brass	<b>HANDLES - CONFIGURATION:</b>	Double Handle
<b>CARTRIDGE MATERIAL:</b>	Ceramic	<b>HANDLE REACH:</b>	N/A
<b>WATERWAY MATERIAL:</b>	Hybrid	<b>SPRAYER INCLUDED:</b>	N/A
<b>DRAIN MATERIAL:</b>	Brass	<b>DIMENSIONS WITH DECK PLATE:</b>	N/A
<b>FAUCET TYPE:</b>	Lav Widespread	<b>WEIGHT WITH DECK PLATE:</b>	N/A
<b>MOUNTING TYPE:</b>	Top Mount	<b>DIMENSIONS W/O DECK PLATE:</b>	13.32" L x 6.44" W x 8.8" H
<b>MOUNTING HOLES:</b>	N/A	<b>WEIGHT W/O DECK PLATE:</b>	4.72 lbs.
<b>MAX DECK THICKNESS:</b>	1.62"	<b>PVD FINISH:</b>	No
<b>DECK PLATE - INCLUDED:</b>	N/A		
<b>SPOUT REACH:</b>	5.14"		
<b>SPOUT HEIGHT:</b>	8.8"		

<b>WARRANTY:</b>	5-Year limited warranty
<b>UPC CERTIFICATION NAME:</b>	cUPC
<b>ANSI CERTIFICATION:</b>	NSF/ANSI 61-9
<b>WATERSENSE:</b>	Yes
<b>ASME:</b>	No
<b>AB-1953 LEAD FREE:</b>	Yes
<b>ADA COMPLIANT:</b>	Yes



<b>TYPE:</b> <b>JOB:</b> <b>ORDER CODE:</b> <b>APPROVALS:</b>
--