

2 Drawer Console Table Assembly Instruction

BEFORE YOU DO THE ASSEMBLY, PLEASE READ THIS ASSEMBLY INSTRUCTION CAREFULLY, PLEASE FOLLOW THIS INSTRUCTION FOR ASSEMBLY TO AVOID ASSEMBLY DIFFICULTY.

COMPONENTS:

- 1. Table Top**
- 2. 4 Wooden Legs**
- 3. Bottom Shelf**
- 4. 4 Feet**

Step 1. Take all packaging off the console table. Turn table top upside down, so it is lying flat on the floor, make sure the ground is clean and smooth.

Step 2. Slightly screw one leg to the bottom of the table top and gently tighten the leg. Do not screw the leg too tight.

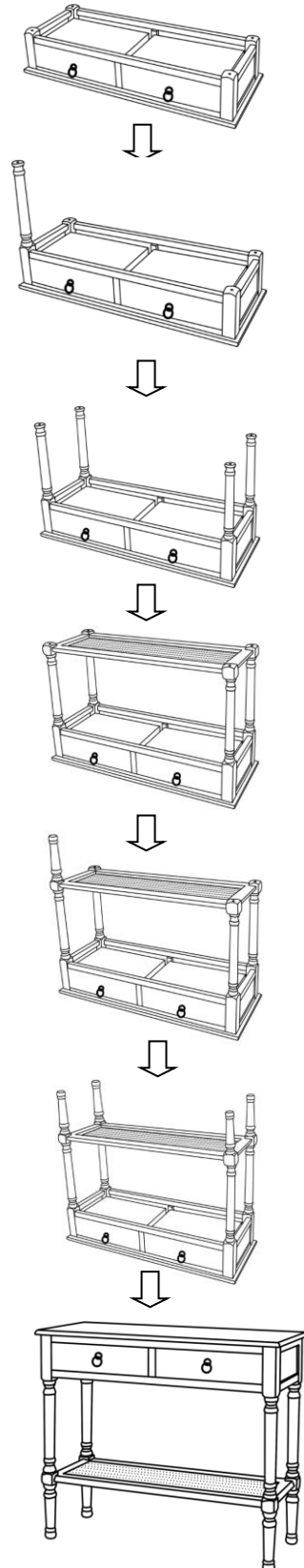
Step 3. Slightly screw the other three legs to the bottom of the table top and gently tighten the legs. Do not screw the legs too tight.

Step 4. Put the bottom shelf over the end of the four legs, slightly adjust the wooden legs so the screw holes on the legs are lined with the holes on the bottom shelf.

Step 5. Slightly screw one foot through the bottom shelf to connect with the wooden leg.

Step 6. Slightly screw the other three feet through the bottom shelf to connect with the wooden legs.

Step 7. Now turn the table up to right side. If the table is not stable enough, please adjust the legs and feet to make it stable.



WARNINGS!

IF SPILLAGE OCCURS WIPE CLEAN WITH SLIGHTLY DAMP CLOTH IMMEDIATELY.