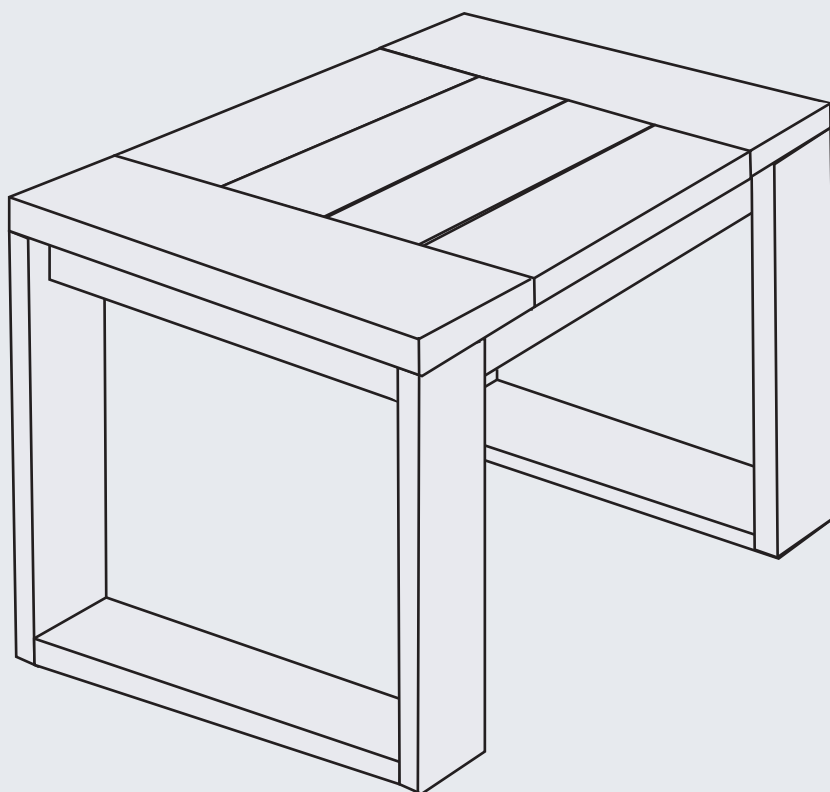


INSTRUCTION MANUAL



Patio End Table

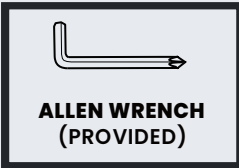
V1.0

! CARE & MAINTENANCE

Please keep this instruction for your future reference.

- Be careful when assembly, avoid hurting the top surface.
- Clean the table with lukewarm water, mild detergent & soft cloth.
- Firmly secure all bolts before use, do not use any part of this item as a step ladder.
- Reconfirm that all bolts, screws, and nuts are secure every 90 days.
- Do not use or store this item in the proximity of open flame or flammable/combustible chemicals.
- Be aware that some parts are heavy and have sharp edges.
- Do not overtighten screws. (Insert all screws before tighten screws.)
- Please do not exceed the weight limitations of this item.

TOOLS REQUIRED



**TABLE
300 LBS
CAPACITY**

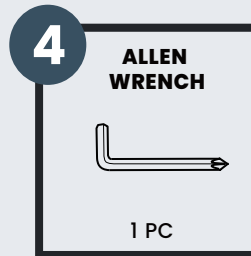
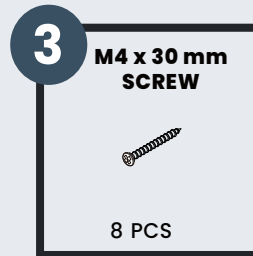
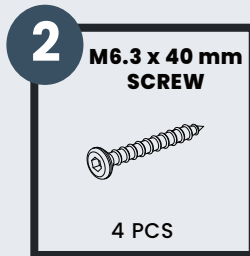
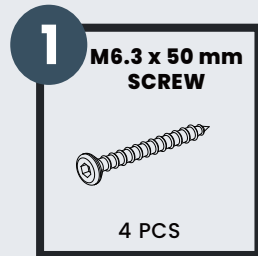


**1 PERSON
ASSEMBLY**

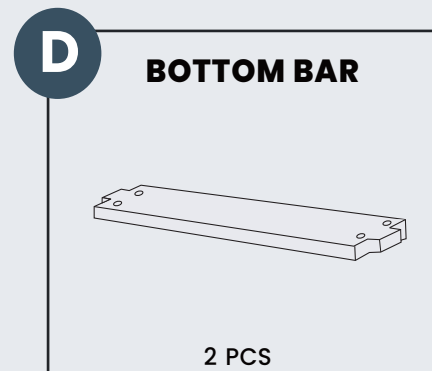
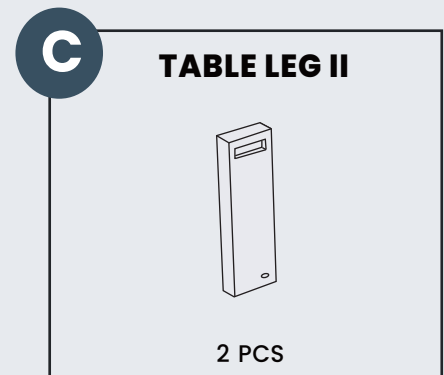
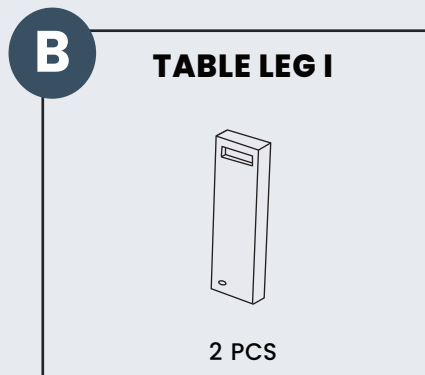
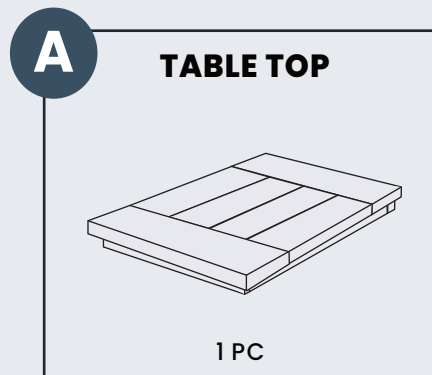


**UP TO 20 MIN.
ASSEMBLY**

HARDWARE

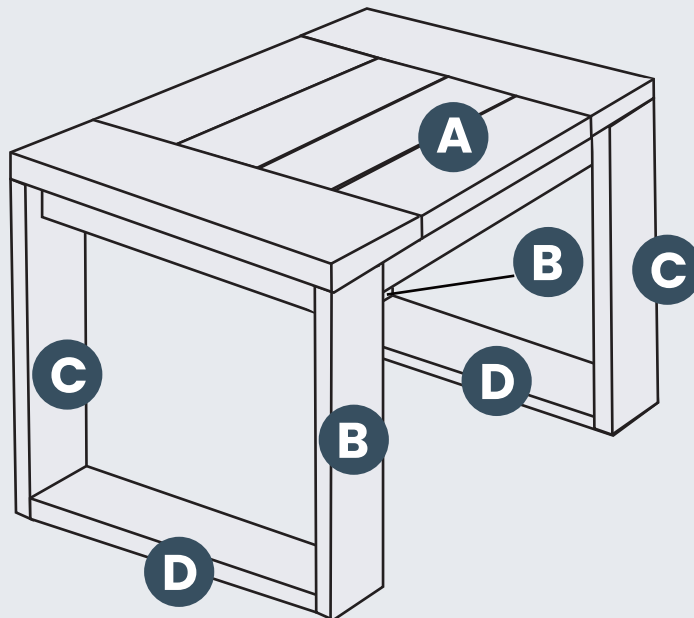


PARTS



PRODUCT ASSEMBLY - OVERALL VIEW

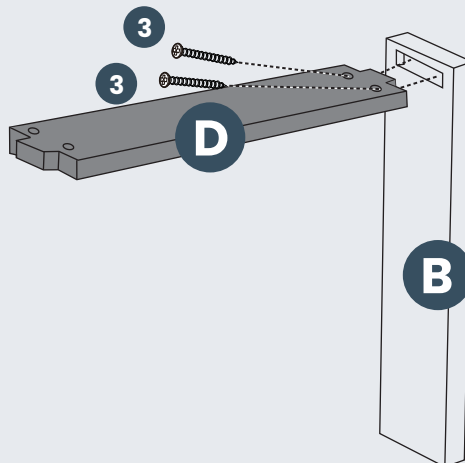
Look at following overall view of this table and learn the exact position of each parts to be assembled.



PRODUCT ASSEMBLY

1

Attach **Part D Bottom Bar** to **Part B Table Leg** with 2 pcs of **Hardware #3 Screw**.

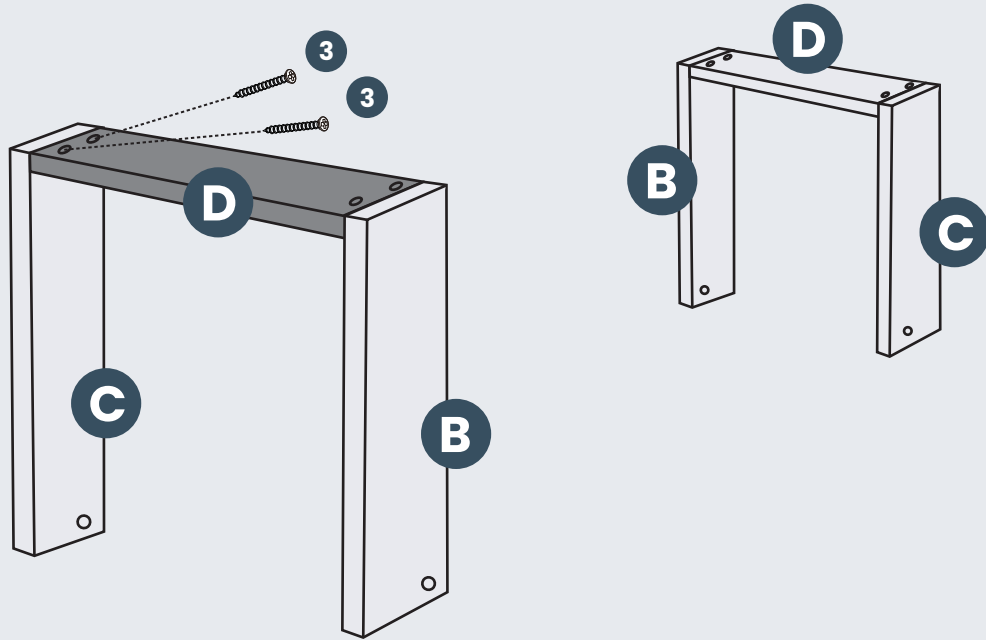


PRODUCT ASSEMBLY

2

Attach **Part D Bottom Bar** to **Part C Table Leg II** with 2 pcs of **Hardware #3 Screw**.

Do the same to assemble any **Part B**, **Part D** and **Part C**.

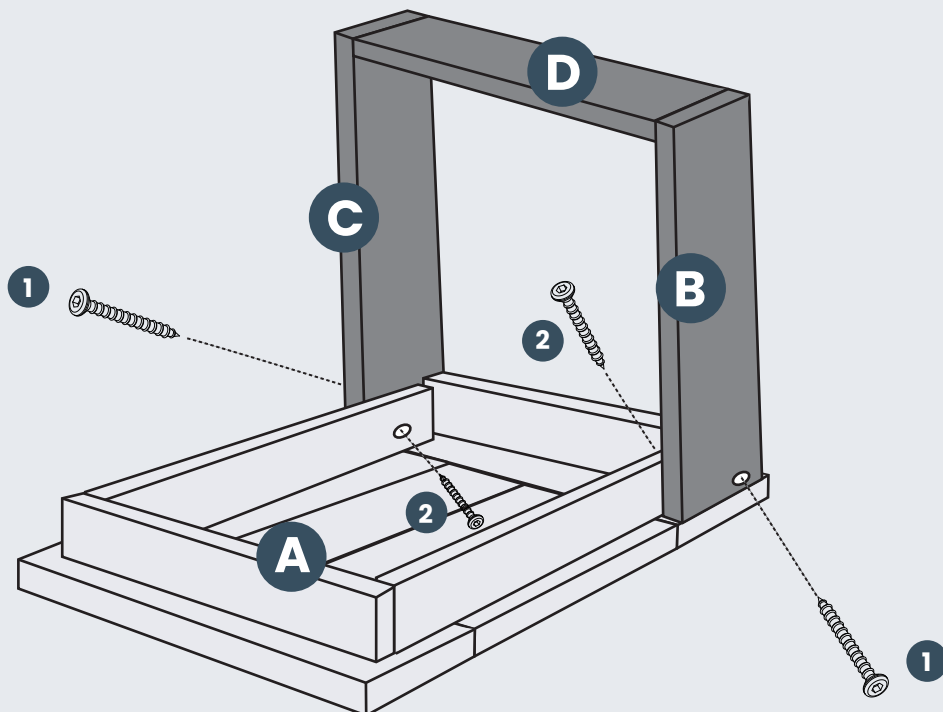


3

Place **Part A Table Top** upside down on flat floor.

Attach **Combined Part (B+C+D)** to **Part A Table Top** with 2 pcs of **Hardware #1 Screw** and 2 pcs of **Hardware #2 Screw** as below.

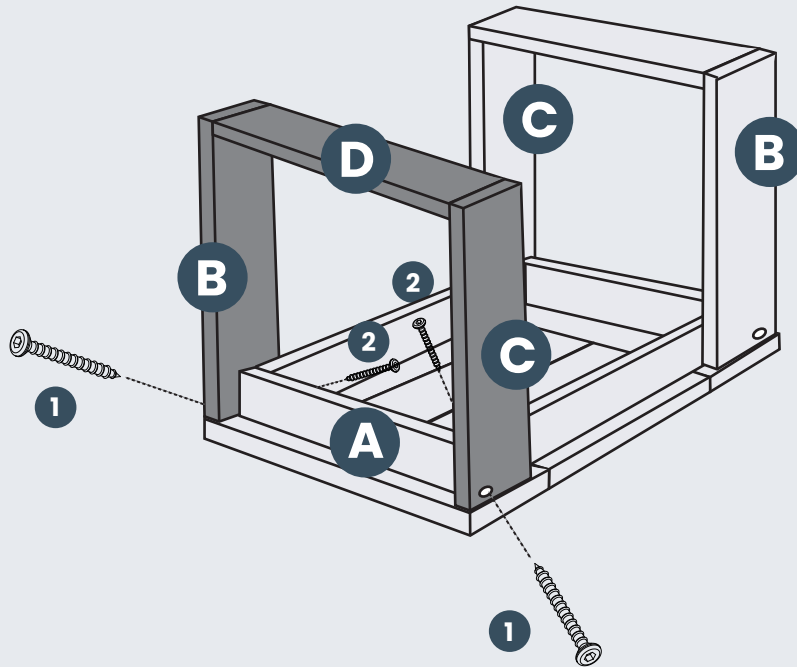
Pay attention to protect the surface paint.



PRODUCT ASSEMBLY

4

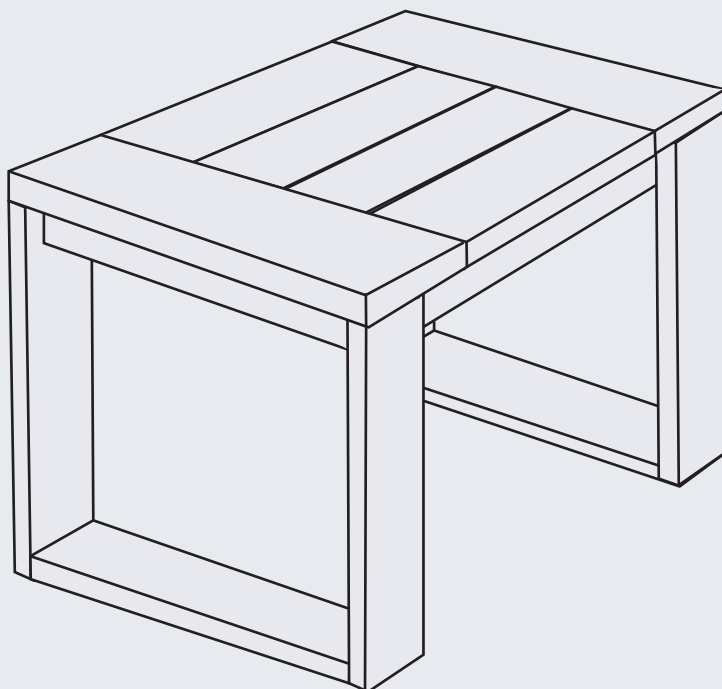
Attach another piece of **Combined Part (B+C+D)** to **Part A Table Top** with 2 pcs of **Hardware #1 Screw** and 2 pcs of **Hardware #2 Screw**.



5

Check and tighten all the screws when the parts are loosely attached.

Enjoy the table now.



CLEANING TIPS

REGULAR CLEAN: Use a mixture of warm water and mild soap. Gently scrub the surface with a soft bristle brush to remove any dirt or stains.

QUICK CLEAN: You can simply wipe down the furniture with a damp cloth.

Regular cleaning not only preserves the aesthetic appeal of your furniture, but also helps extend its lifespan.