

Engineering Specification

Job Name _____
 Job Location _____
 Engineer _____
 Approval _____

Contractor _____
 Approval _____
 Contractor's P.O. No. _____
 Representative _____

LEAD FREE*

Series LFBD Brass Boiler Drain Shutoffs for Water Service

Sizes: 1/2" x 3/4" – 3/4" x 3/4"

Features

- 3/4" hose thread connection on outlet
- Lead Free* brass body
- Dual solder or IP connection models
- Angle and straight pattern models

The LFBD features Lead Free* construction to comply with Lead Free* installation requirements.

Models

- LFBD-1C** Size 1/2" dual connection, solder or male IPS x 3/4" hose thread connection, angle pattern
- LFBD2** Size 3/4" male IPS x 3/4" hose thread connection, angle pattern
- LFBD-2C** Size 3/4" MIP x 3/4" hose thread connection, angle pattern
- LFBD3F** Size 1/2" female IPS x 3/4" hose thread connection, angle pattern
- LFBD4F** Size 3/4" female IPS x 3/4" hose thread connection, angle pattern
- LFBD5** Size 1/2" dual connection, solder or male IPS x 3/4" hose thread connection, straight pattern, hose thread connection
- LFBD6** Size 3/4" Male IPS x 3/4" hose thread connection, straight pattern

Dimensions – Weights

MODEL	SIZE	DESCRIPTION	DIMENSIONS						WEIGHT	
			A		B		K		lbs.	kgs
	in.		in.	mm	in.	mm	in.	mm		
LFBD-1C	1/2	Male IP or Solder inlet, angle	1 1/3	34	3 1/2	89	2 1/10	54	.5	.24
LFBD2	3/4	Male IP inlet, angle	1 1/2	38	3 9/16	91	2 1/8	54	.5	.24
LFBD-2C	3/4	Male IP inlet, angle	1 1/3	34	3 1/2	90	2 1/10	54	.4	.20
LFBD3F	1/2	Female IP inlet, angle	1 1/2	38	3 1/4	82	2 1/8	54	.5	.24
LFBD4F	3/4	Female IP, angle	1 1/2	38	3 1/4	82	2 1/8	54	.5	.24
LFBD5	1/2	Male IP or Solder, straight	1 1/8	28	2 15/16	75	2 1/8	54	.4	.20
LFBD6	3/4	Male IP inlet, straight	1 1/8	28	3 1/8	80	2 1/8	54	.4	.20



LFBD-1C

Pressure – Temperature

Maximum Pressure: 200psi (14 bar) WOG, non-shock
 Maximum Temperature: 250°F (121°C)

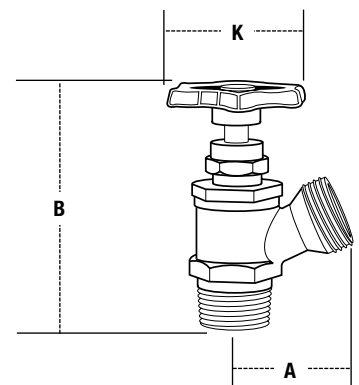
NOTICE

The information contained herein is not intended to replace the full product installation and safety information available or the experience of a trained product installer. You are required to thoroughly read all installation instructions and product safety information before beginning the installation of this product.

NOTICE

Inquire with governing authorities for local installation requirements.

*The wetted surface of this product contacted by consumable water contains less than 0.25% of lead by weight.



Watts product specifications in U.S. customary units and metric are approximate and are provided for reference only. For precise measurements, please contact Watts Technical Service. Watts reserves the right to change or modify product design, construction, specifications, or materials without prior notice and without incurring any obligation to make such changes and modifications on Watts products previously or subsequently sold.



USA: T: (978) 689-6066 • Watts.com
 Canada: T: (888) 208-8927 • Watts.ca
 Latin America: T: (52) 55-4122-0138 • Watts.com