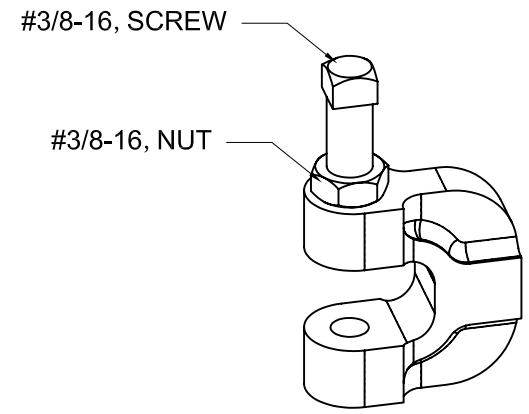
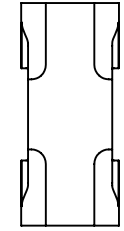
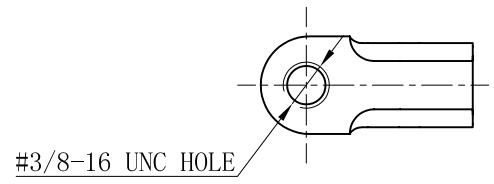
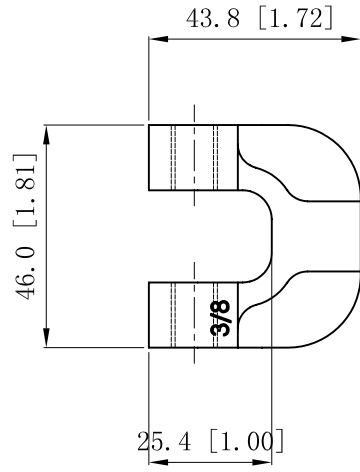
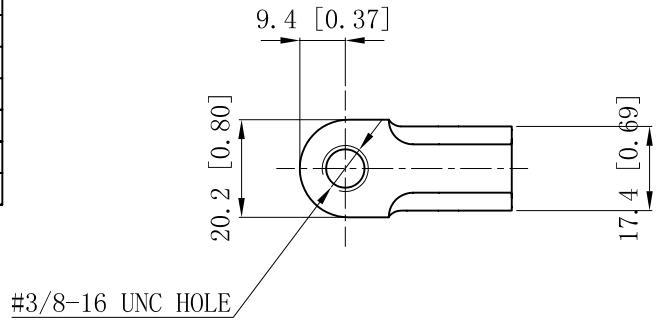


SIDES	BOTTOM
1 PCS 3/8-16×1 1/2 Screws Installed	
1 PCS 3/8-16 hex nut	
Material:Steel-Malleable Casting Galvanized	



This data sheet is for reference only .GARVIN INDUSTRIES reserves the right to make changes to the design without prior notice.

DESCRIPTION
TRADE REFERENCE TERMS

STANDARD PACKING
25 PCS

TITLE			GARVIN INDUSTRIES		
"C" STYLE BEAM CLAMPS					
SIZE	DWG NO.				REV
A4	MCC-3816				
DATA SHEET					