

ITEM #89650

Tableau Vintage Oak 50" TV Console

Leick
Home
SINCE 1910

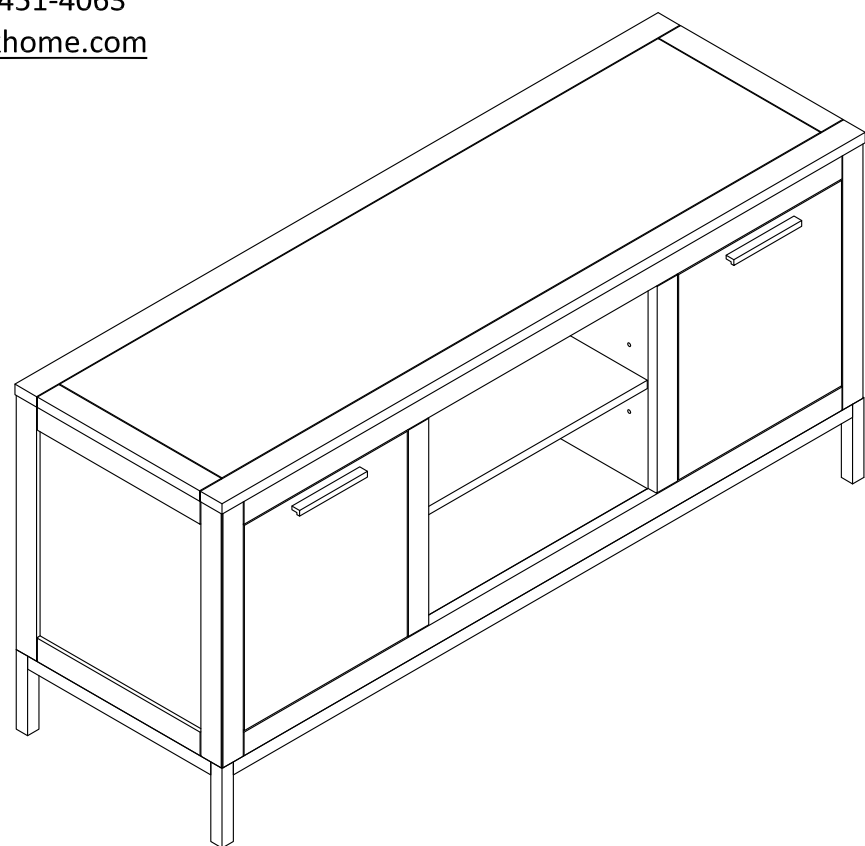
2219 S. 19th St.

Sheboygan, WI 53081

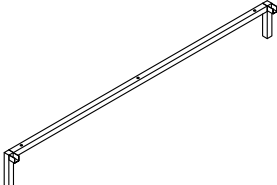
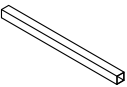
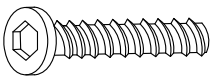
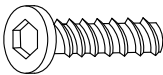

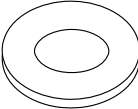
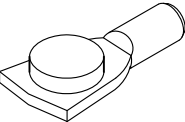
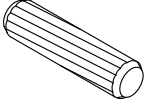

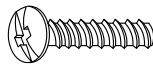
Ph: 920-451-4060

Fax: 920-451-4063

info@leickhome.com



Hardware List

Item	Description	Qty
a 	Metal Leg	2PCS
b 	Metal Rail	2PCS
c 	Long Bolt 1/4"x1-3/8"	12PCS
d 	Short Bolt 1/4"x1/2"	4PCS
e 	Allen wrench	1PC
f 	Flat Washer 1/4"x16mm	16PCS
g 	Shelf metal clip	24PCS
h 	Wood Dowel	2PCS
i 	Door Pull	2PCS
j 	Machine Screw 5/32"x1/2"	2PCS

Parts List

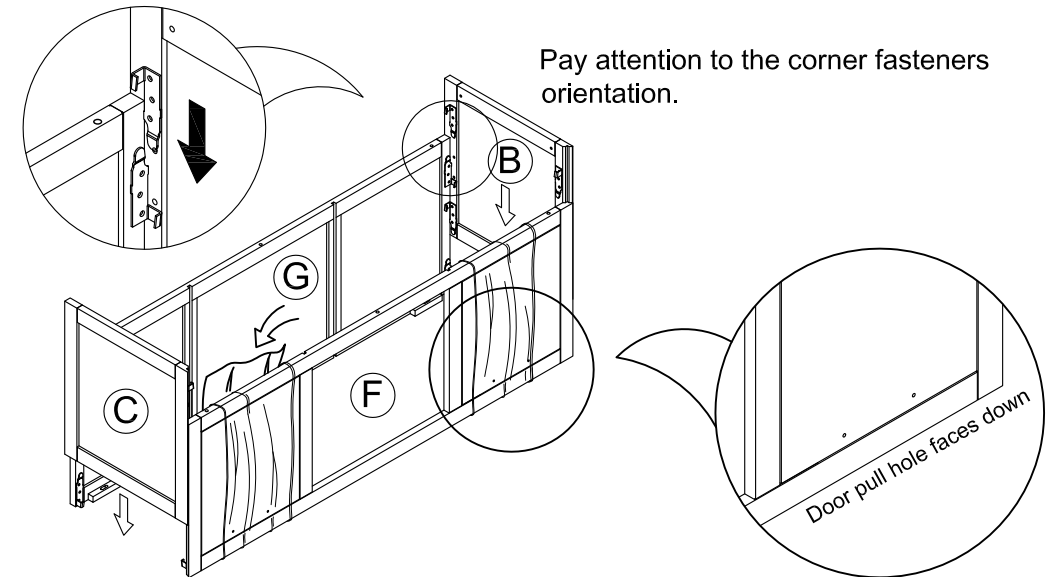
Item	Description	Qty
A	Top	1PC
B	Left Side Panel	1PC
C	Right Side Panel	1PC
D	Middle Side Panel	2PCS
E	Middle Adjustable Shelf	2PCS
F	Front Assembly	1PC
G	Bottom Assembly	1PC
H	Side Adjustable Shelf	4PCS

Assembly Instructions

Two person assembly recommended.

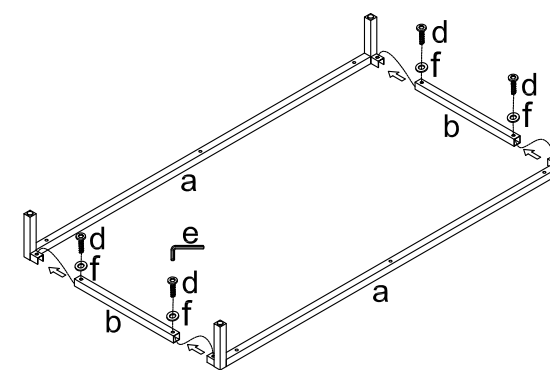
step 1

Assemble upside down. Put one side frame (B) to the front frame (G) making sure both corner fasteners line up. Tap down with your hand or a light tap with a hammer should do it. Do the same with the other side frame (C) and back side frame(F). Cut the shrink wrapper lightly on front frame.



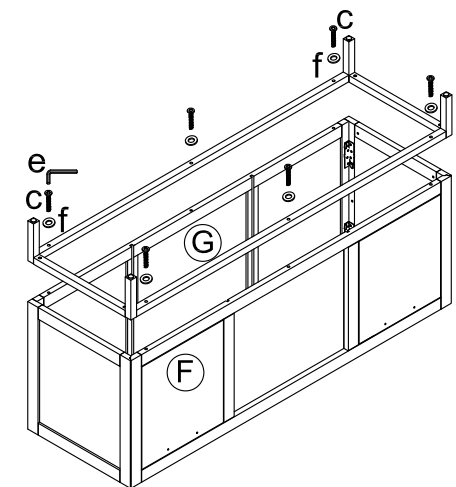
step 2

Insert and push metal rails onto metal legs, tighten with short bolts.



step 3

Put the metal base on the cabinet and fasten with long bolts. Hold the doors with hands before placing the cabinet right side up.

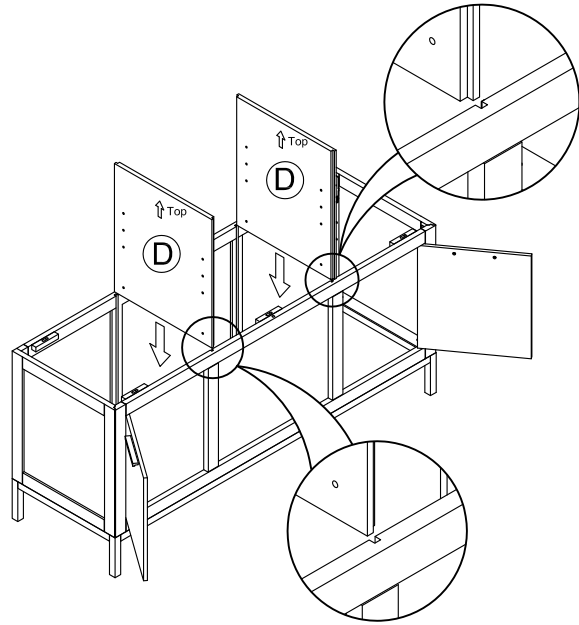


Assembly Instructions

Two person assembly recommended.

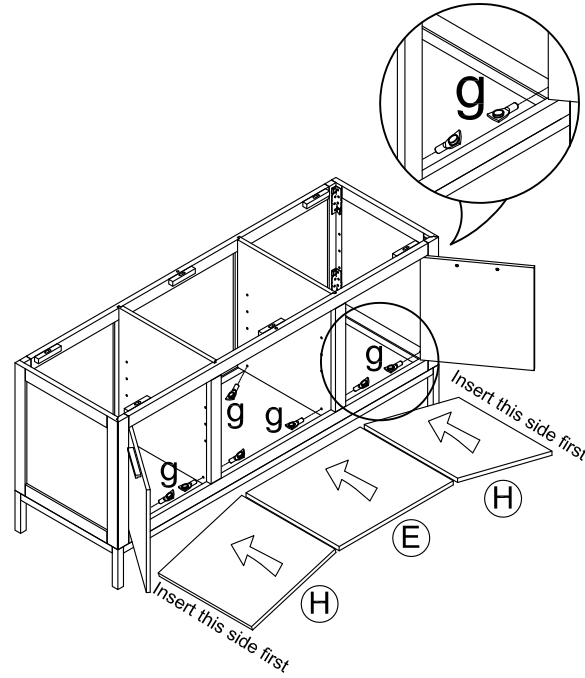
step 4

Slide the panels (D) into the TV cabinet according to sketch below. Pay attention to enlarged drawing that shows how to align the grooves on back and front frame.



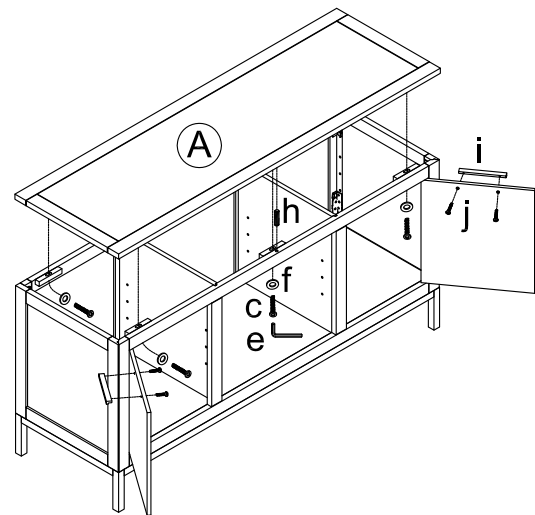
step 5

Insert the shelf supports and place the bottom shelves on shelf supports.



step 6

Fasten the door pulls with machine screws. Insert two wood dowels into front and back frames. Tighten the top with long bolts.



step 7

Place the middle shelves on shelf supports. Adjust the levelers on bottom of legs if needed.

