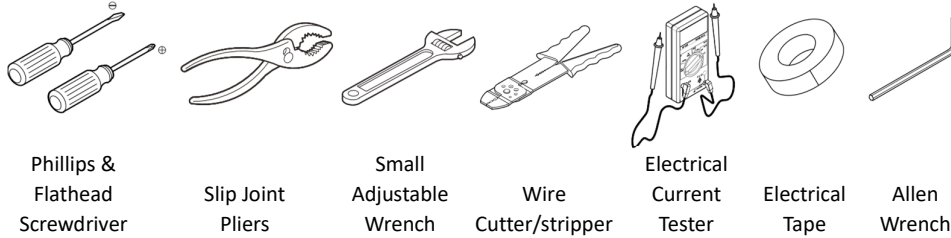


PREPARATION

1. Record your model number for future reference.
2. **DANGER: Risk of electric shock.** To avoid electric shock, the power must be turned off at the circuit breaker or fuse box before beginning the installation procedure.
3. **DANGER: Risk of electric shock.** To avoid electric shock, the outlet box must be properly grounded.
4. **Important Information.** Inspect the product for any damages. This product is for indoor use only. Observe all local codes.
5. Your product may appear different than the one illustrated. The installation procedures remain the same.

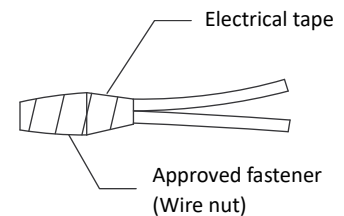
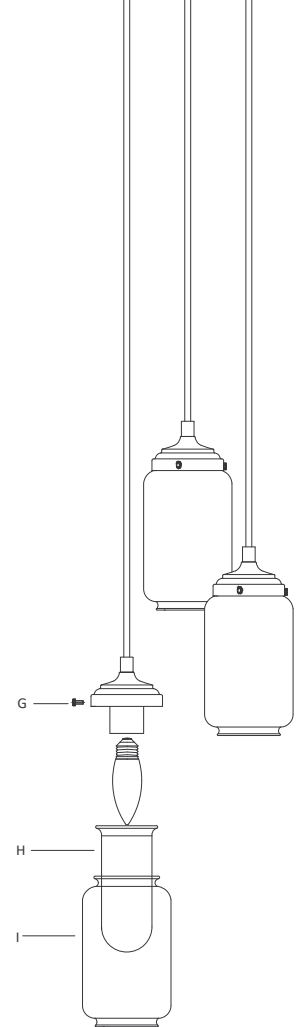
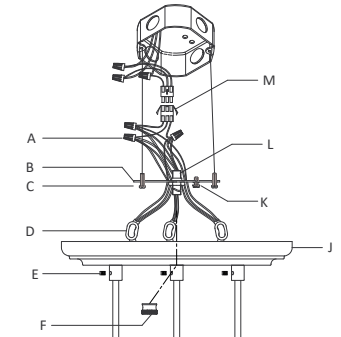
Please see next page for a larger installation image

TOOLS AND MATERIALS NEEDED



FIXTURE INSTALLATION

1. Remove the fixture and parts bag(s) from the carton. Put them onto a clean and soft cloth to protect finish. Confirm all parts are included.
2. To adjust length of cords. Loosen the set screws (E) on canopy (J) until the cords can slide. Be careful, do not remove the set screw. Pull cords through canopy (J) to make sure each fixture has the desired height. Then tighten set screws (E); be careful not to pierce wiring.
3. Slide safety clips (D) down to touch the canopy. Do not damage the cord insulation layer.
4. Cut excess cord to minimum 6" beyond canopy (J).
 - a) Trim cloth 2" from the end.
 - b) Strip insulation 5/8" from end of wire without cutting copper wire.
 - c) Twist each copper wire individually.
5. Attach mounting plate (B) onto outlet box with screws (C). Ensure the direction of ground screw (K) is as shown.
6. **NOTICE:** To avoid short circuit, make sure wires are not exposed. Gang together three black wires from fixture and one black wire from the quick connect into a wire nut (A). Wrap the wire connector with electrical tape so that the tape seals the end of wire nut (A). Then repeat the step for the white wires from fixture and white wire from quick connect; repeat the step for the green wires from fixture and green wire from quick connect. See diagram.
7. **NOTICE:** To avoid short circuit, make sure wires are not exposed. Using the other quick connect piece, connect black wire from outlet box and black wire from the connect piece in a wire nut (A). Wrap the wire connector with electrical tape so that the tape seals the end of wire nut (A). Then repeat the step for the white wires from outlet box and white wire from quick connect; repeat the step for the green wires from outlet box and green wire from quick connect. See diagram.
8. Press together the two connectors (M).
9. Tuck wires carefully inside outlet box. Adjust the height of the nipple (L) on mounting plate (B). Secure nipple on mounting plate with hex nut (F). Let it protrude the hole on the canopy (J). Attach the canopy onto ceiling then secure it with nut (F).
10. **NOTICE:** Do not exceed recommended wattage. Install lamp(s). Rated **Max 40 W, Type B.** (Bulb(s) not included).
11. Install the small glass (H) and medium-sized glasses (I) onto glass holder, with screws (G).
12. Restore power to circuit at breaker or fuse box.



CLEANING

Please clean fixture with a soft and dry cloth ONLY. Clean glass with a mild soap.

