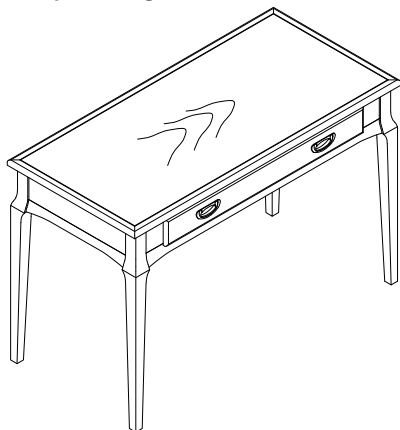


Assembly Instructions, #22400 STRATUS LAPTOP/WRITING DESK

Note:

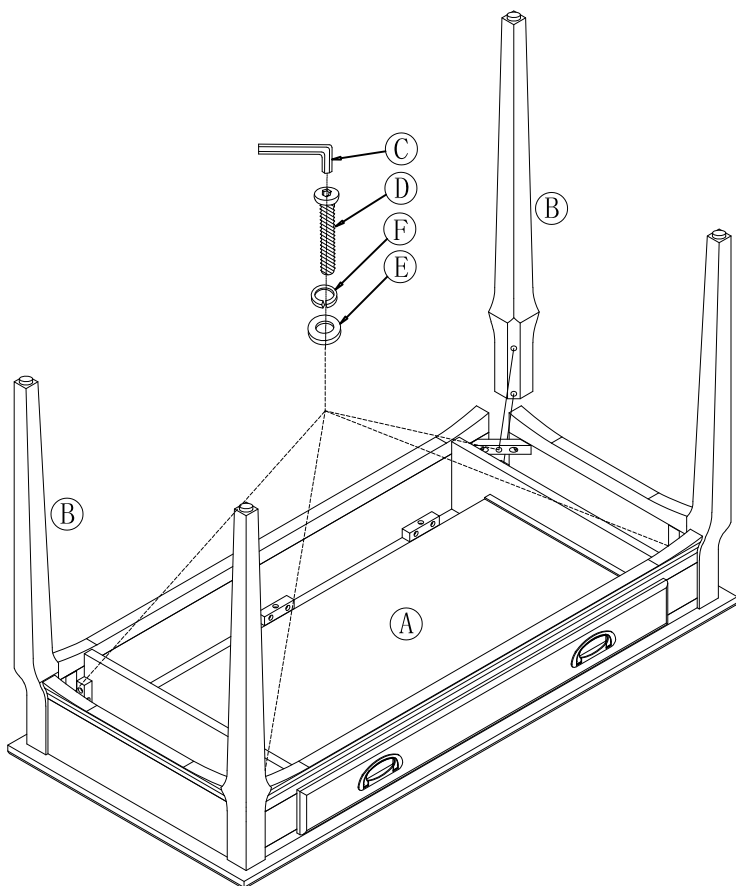
A packet with complete set of hardware can be found by pulling the red ribbon that's easily visible upon opening the box.



A: Top Assembly	
B: (4) Legs	
C: Allen Wrench	
D: (8) Bolts	
E: (8) Flat Washers	
F: (8) Lock Washers	

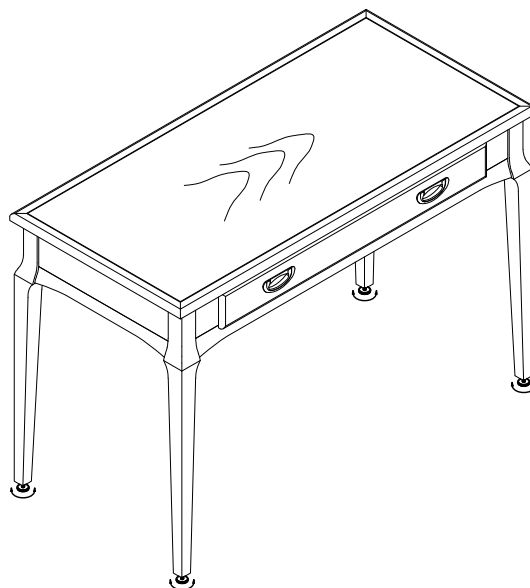
Step 1

Fasten four legs with 8 (bolts, flat washers and lock washers) using the Allen wrench. Tighten.



Step 2

Adjust levelers on bottom of legs.



Wire management hole on back of desk: pull the disk out, run wires, and snap disk back in place.

