

Installation Instructions

Recessed Valve

Record your model number:
Noter le numéro de modèle:
Anoté su número de modelo: _____

Français, page 9
Español, página 17

KOHLER®

Thank You for Choosing KOHLER

Need help? Contact our Customer Care Center.

- USA/Canada: 1-800-4KOHLER (1-800-456-4537) Mexico: 001-800-456-4537
- Service parts: kohler.com/serviceparts
- Care and cleaning: kohler.com/clean
- Patents: kohlercompany.com/patents





Warranty

This product is covered under the KOHLER® Faucet Lifetime Limited Warranty, found at kohler.com/warranty. For a hardcopy of warranty terms, contact the Customer Care Center.

IMPORTANT INSTRUCTIONS

READ AND FOLLOW ALL INSTRUCTIONS

SAVE THESE INSTRUCTIONS

-  **WARNING: Risk of scalding.** High water temperature can cause severe burns. Set the water temperature at or below 120°F (49°C) following the adjustment procedure packed with the valve trim.
-  **WARNING: Risk of scalding or other severe injury.** Before completing the installation, the installer must set the maximum water temperature setting of this valve to minimize the risks associated with scalding hazards according to ASTM F 444.
-  **CAUTION: Risk of scalding.** This device has been calibrated at the factory to ensure a safe maximum water temperature. Any variance in settings or water inlet conditions from those used during factory calibration may raise the discharge temperature above the safe limit, and may present a scalding hazard. Responsibility for installation and adjustment of this device in accordance with these instructions lies with the installer.
-  **CAUTION: Risk of product damage.** Do not apply excessive heat near the valve or apply flux or acids directly onto the valve. This valve contains plastic and rubber components that will melt if heat is directly applied.

NOTICE: Risk of product damage. Do not apply petroleum-based lubricants to the valve components, as damage may result.

NOTICE: Risk of product damage. Inlet and outlet threaded joint connections should be made with plumbers PTFE tape or liquid sealant. Oil-based, non-setting compounds should not be used.

The installer is responsible for adjusting the maximum water temperature of this valve according to instructions packed with the valve trim. If you do not understand the temperature adjustment instructions, in the United States contact our Customer Care Center at **1-800-4KOHLER**. Outside of the U.S., contact your distributor.

IMPORTANT! Fill in the blanks in the NOTICE TO HOMEOWNERS box in this guide and on the valve label. Retain this guide for future reference.

Factory Calibrated Inlet Conditions:

Hot and cold water pressure	43.5 psi (300 kPa)
Hot water supply temperature	145°F (63°C)
Cold water supply temperature	55°F (13°C)

If inlet conditions differ from those used during factory calibration, recalibration of the valve may be necessary after installation. **The installer must check the mixed flow temperature after installation, and adjust the valve as needed according to the instructions.**

NOTICE TO HOMEOWNERS!

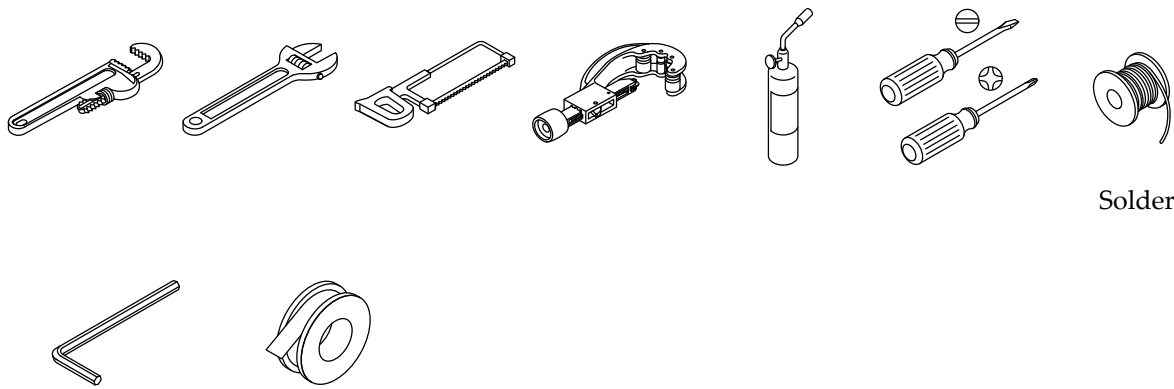
This device has been preset by _____ of _____ to ensure safe maximum temperature. Any change in the setting may raise the discharge temperature above the limit considered safe, and lead to scalds.

Date: _____

This product meets or exceeds ASME A112.18.1/CSA B125.1 and ASSE 1016/ASME A112.18.1016/CSA B125.16.

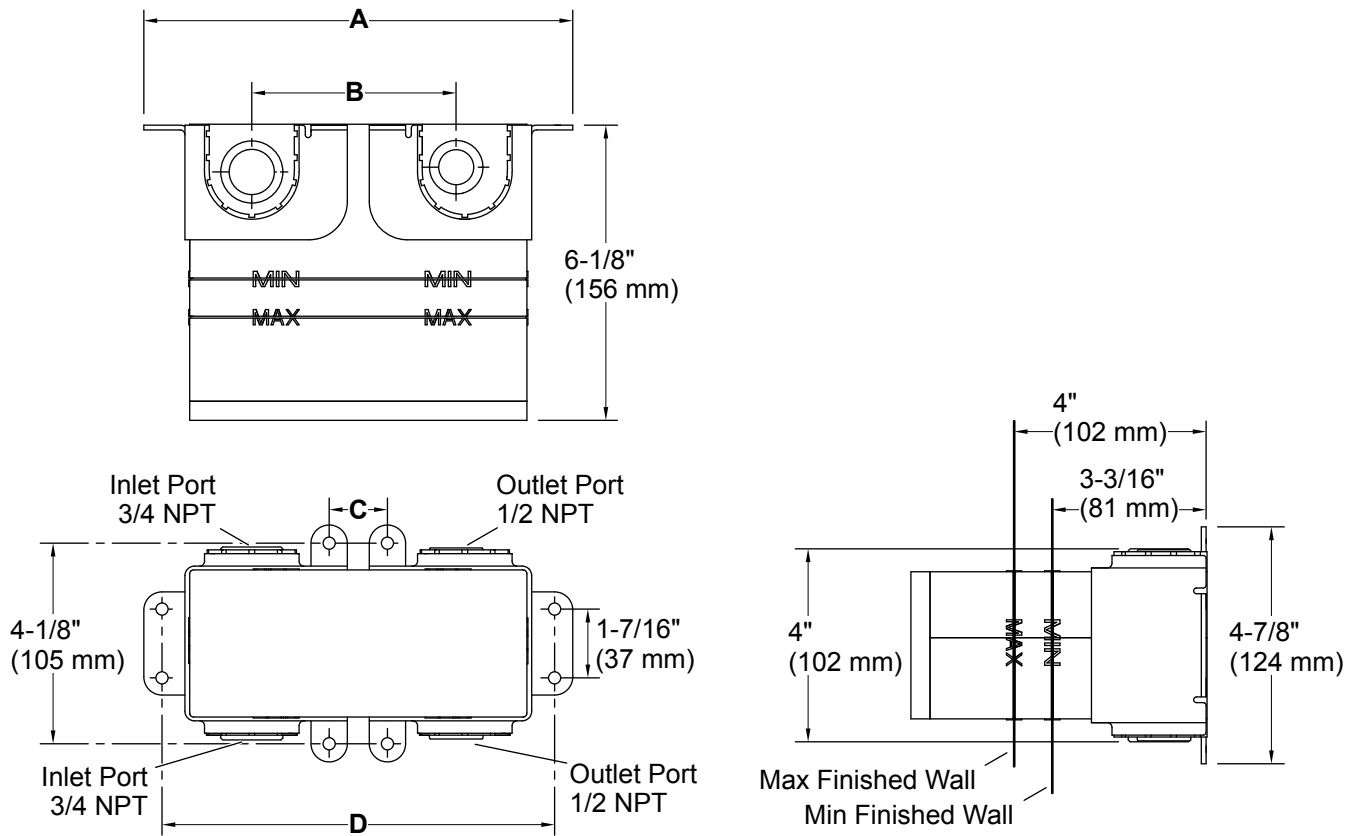
Follow all local plumbing and building codes.

Tools and Materials



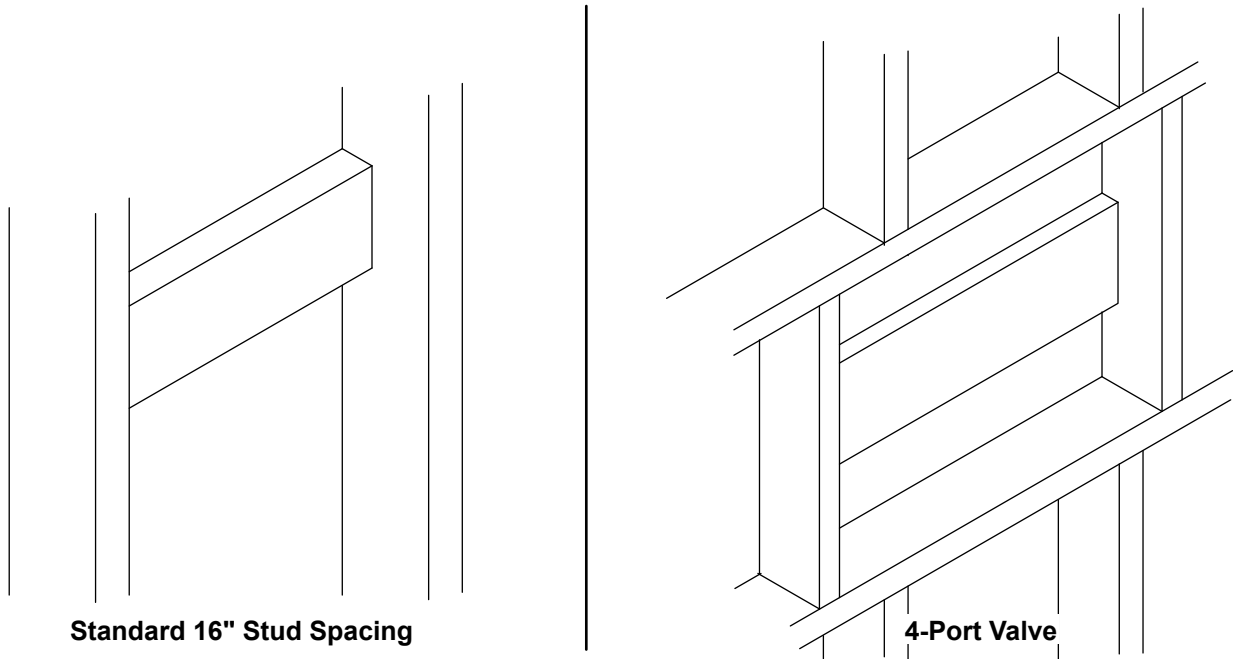
8 mm Hex Wrench Sealant Tape

Roughing-In



SKU	Dim "A"	Dim "B"	Dim "C"	Dim "D"
26339-NA	8-7/8" (225 mm)	4-1/4" (108 mm)	1-3/16" (30 mm)	8-1/8" (206 mm)
26340-NA	11-3/8" (289 mm)	6-13/16" (173 mm)	3-3/4" (95 mm)	10-11/16" (271 mm)
26341-NA	13-15/16" (354 mm)	9-3/8" (238 mm)	6-5/16" (160 mm)	13-1/4" (336 mm)
26342-NA	16-1/2" (419 mm)	11-15/16" (303 mm)	8-7/8" (225 mm)	15-3/4" (400 mm)

1. Prepare the Site

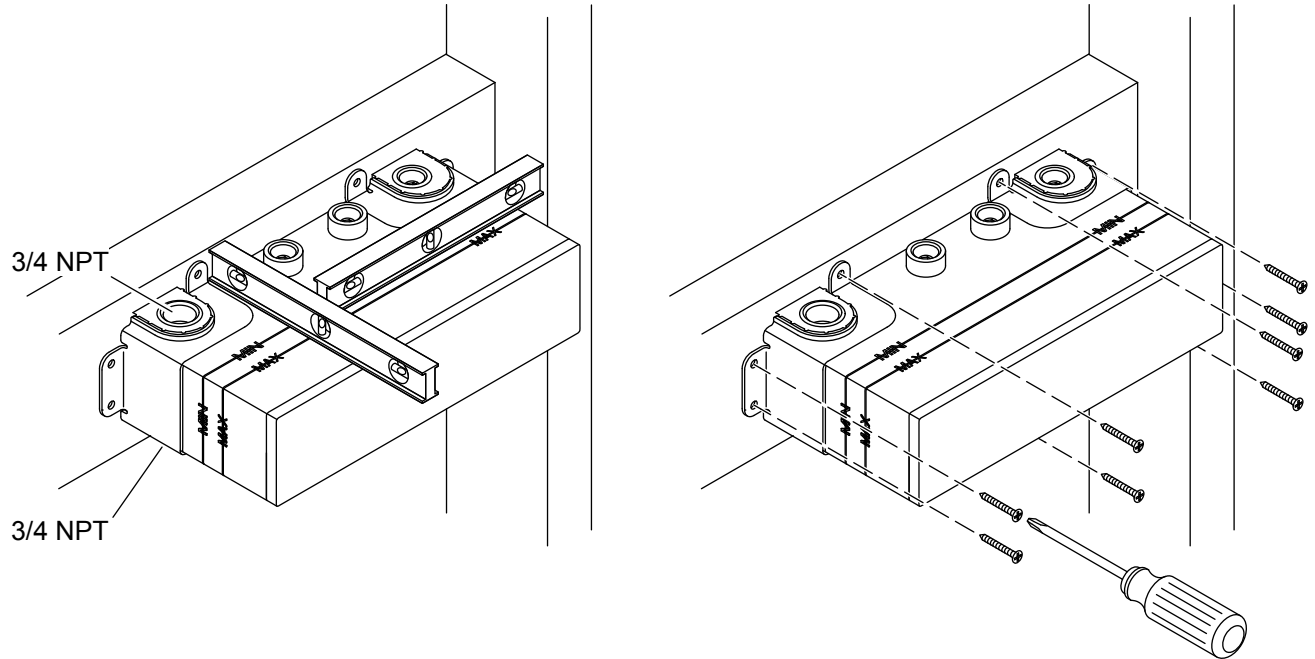


IMPORTANT! Support framing location is critical. Determine finished wall thickness and locate support framing based on the dimensions from the "Roughing-In" section.

NOTE: The 4-port valve is too wide to fit between standard stud framing. A wider stud support box will be needed.

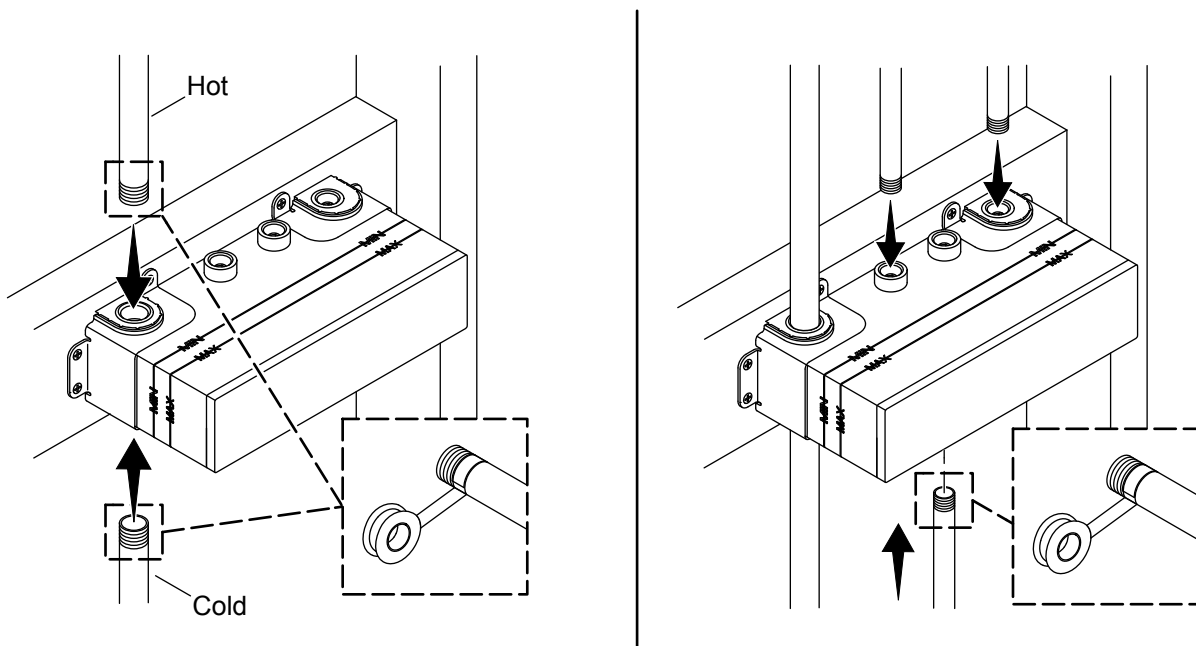
- Install support framing between the studs at the valve installation location.

2. Secure the Valve



- Position the 3/4 NPT inlet ports on the left.
- Verify that the valve is level from front to back, and from side to side.
- Secure the valve to the support framing using the provided screws.

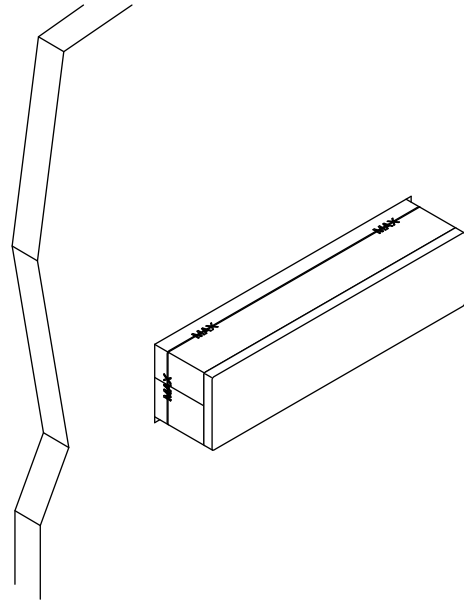
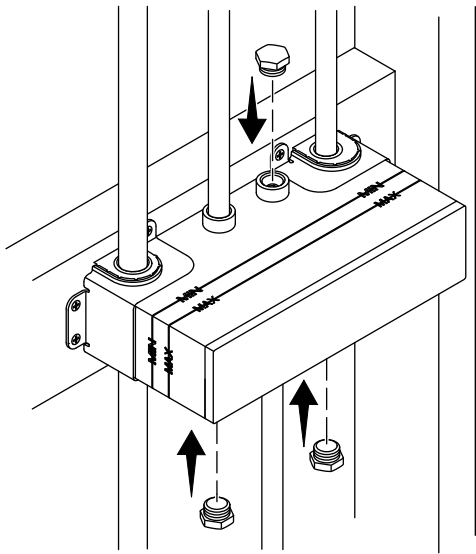
3. Connect the Water Supplies



NOTE: Each outlet port can only fit one outlet pipe.

- Connect the hot and cold water supplies.
- Connect the outlet pipes to the top or bottom outlet ports depending on the desired shower setup.

4. Complete the Installation



- Install a plug into each unused port.
- Turn ON the water supplies and check for leaks.
- Install the finished wall.