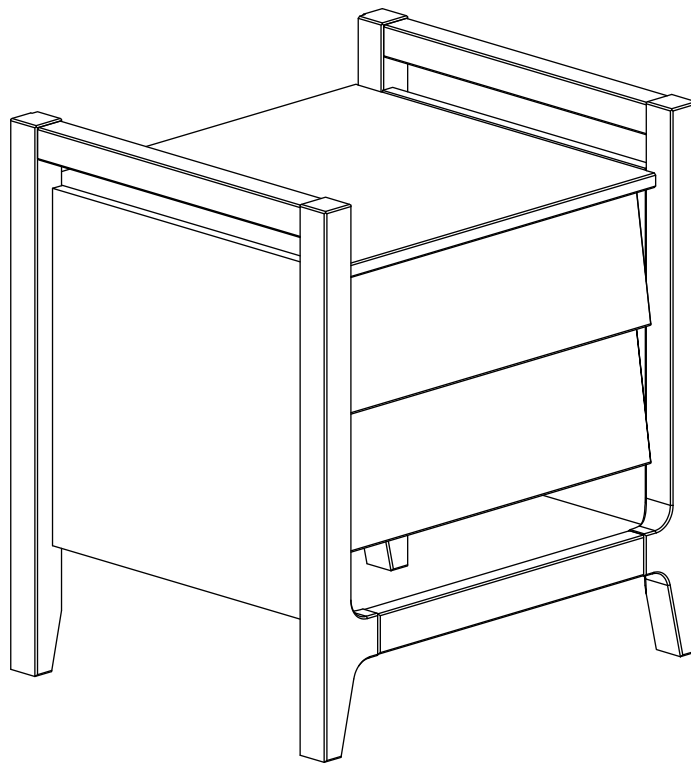


Item # : OSWB4C

Assembly Instructions

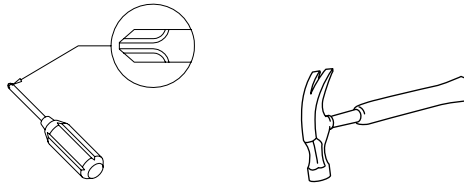


Please visit our website for the most current instructions, assembly tips, to report damage or request parts. www.walkeredison.com

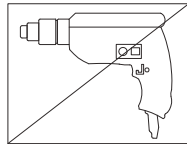
Revised 07/23 - V5

General Assembly Guidelines

- I. Ensure that all parts and hardware are available before beginning assembly.
- II. Follow each step carefully to ensure the proper assembly of this product.
- III. Two people are recommended for ease in the assembly of this product.
- IV. The three main types of hardware used to assemble this product are wood dowels, screws and bolts.
- V. A Phillips head screwdriver and hammer is required for the assembly of this product.



- V I. Power tools should not be used to assemble this product.

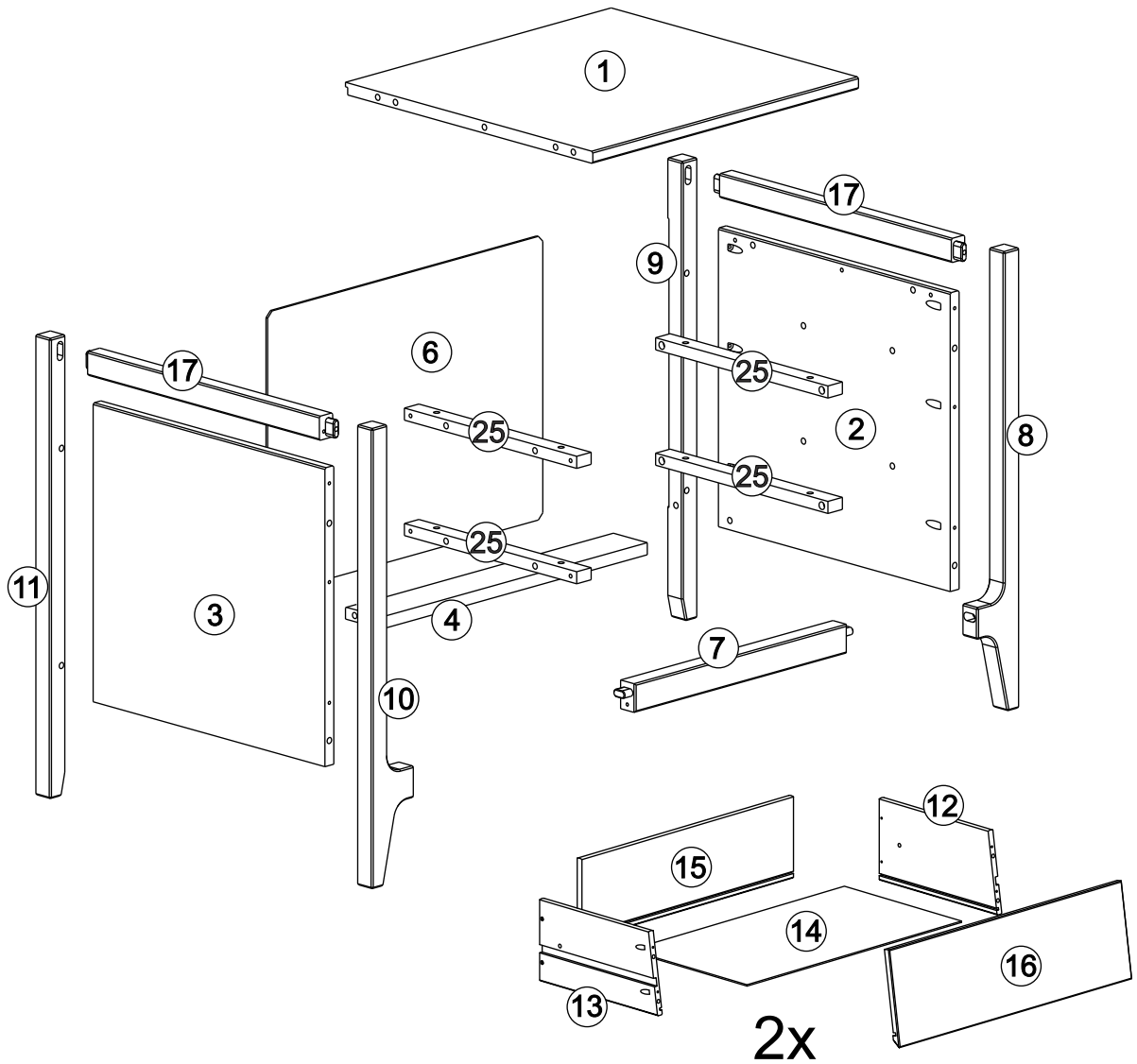


VII. Maintenance Guide

To maintain long term performance and easy gliding of your solid wood drawers, we recommend applying wax to the wooden guide rails.

1. Bee's wax is recommended or Paraffin wax from a standard candle can be used.
2. Apply the wax by rubbing it on the wooden guide rails where there is wood-on-wood contact when opening and closing the drawer. (Wax should be room temperature, do not melt the wax onto the wood)
3. Wax should be applied every few months for the first year and then only when needed after that to keep the drawers sliding smoothly.

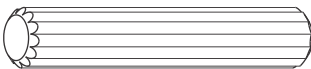
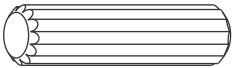
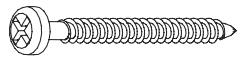
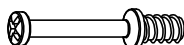


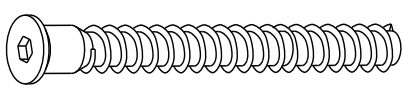

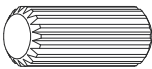
Parts List

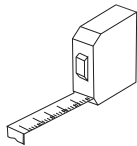


Part#	Description	Qty
1	Top panel	01 pcs
2	Right side	01 pcs
3	Left side	01 pcs
4	Bottom rear crossbeam	01 pcs
25	Drawer runner	04 pcs
6	Back panel	01 pcs
7	Bottom front crossbeam	01 pcs
8	Right front foot	01 pcs

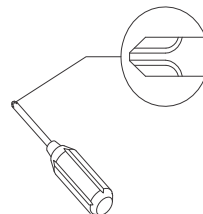
Part#	Description	Qty
9	Right back foot	01 pcs
10	Left front foot	01 pcs
11	Left back foot	01 pcs
12	Right side drawer	02 pcs
13	Left side drawer	02 pcs
14	Drawer bottom	02 pcs
15	Drawer back	02 pcs
16	Front Drawer	02 pcs
17	Side top crossbar	02 pcs

Hardware List

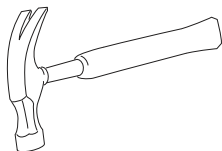
A		Ø8*40mm	Wooden dowel	04 pcs
B		Ø8*30mm	Wooden dowel	28 pcs
C		Ø4,0*30mm	Screw	46 pcs
D			Cam bolt	06 pcs
E		Ø15*09mm	Cam lock	06 pcs
F		Ø8*8	Nail	12 pcs
G		Ø7,0*50mm CB 10	Screw	02 pcs
H			Hex key	01 pc
I		Ø10*20mm	Wooden dowel	08 pcs



Tape measure and hammer
recommended for assembly
(not included)

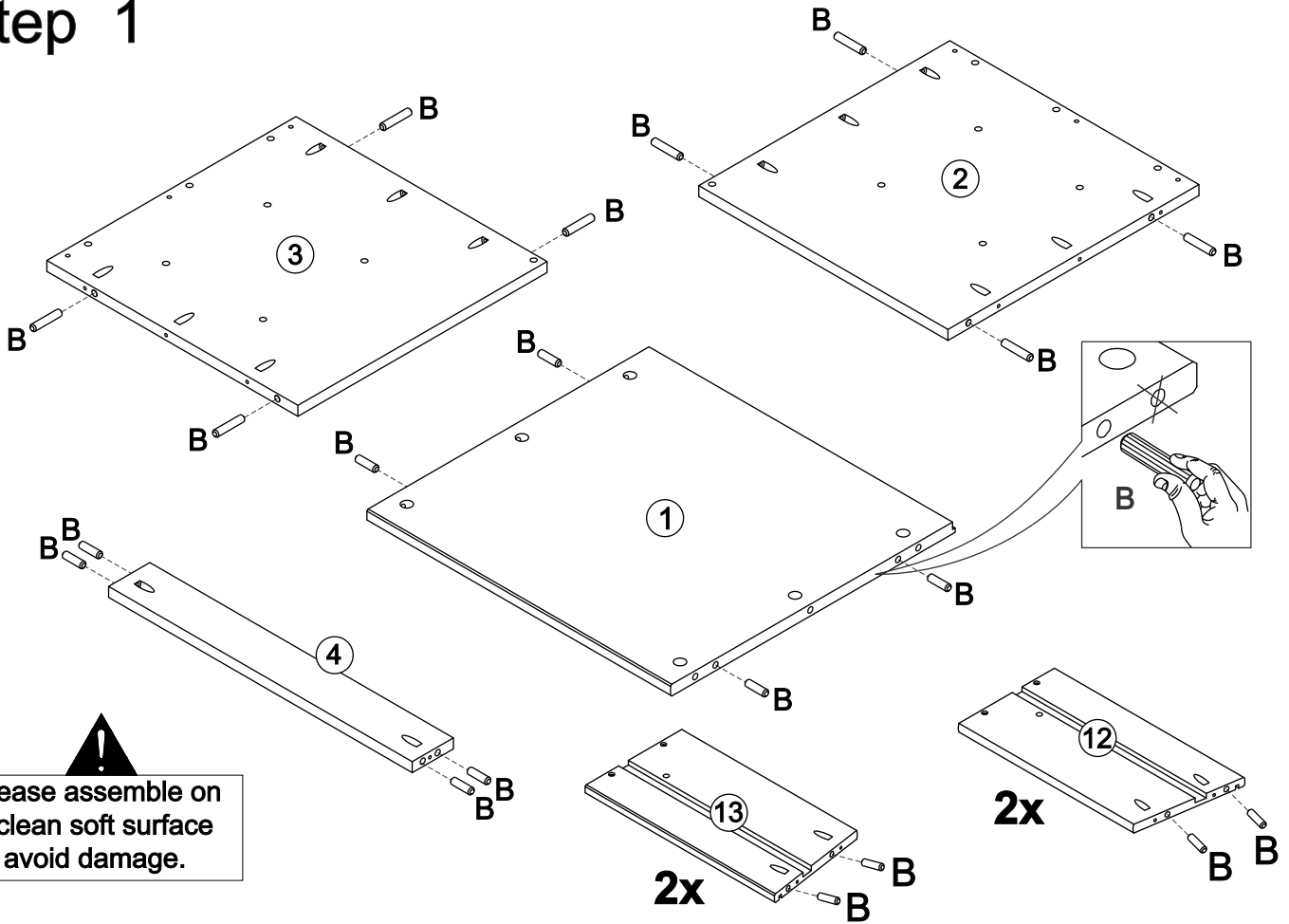


Philips head screwdriver
required for assembly
(not included)



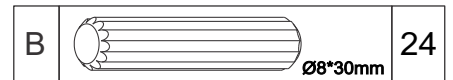
*The hardware quantities listed above are required for proper assembly.
Some extra hardware may also have been included.*

Step 1



!
Please assemble on a clean soft surface to avoid damage.

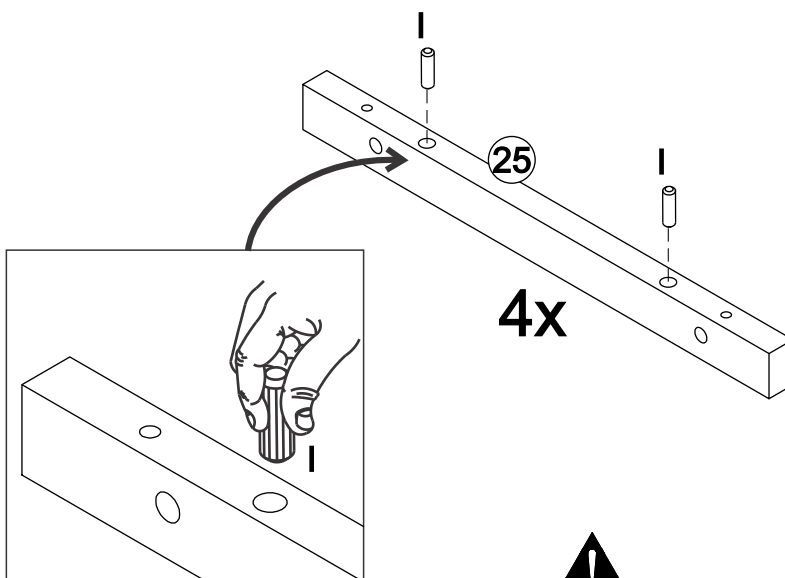
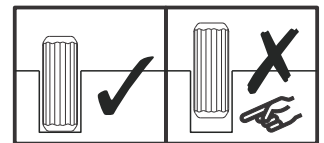
Insert wood dowel (B) into parts (1, 2, 3, 4, 12, 13).



Step 2

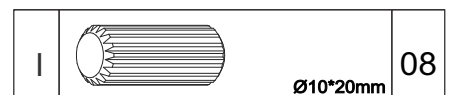


Attention to the dowel size:
 $\varnothing 10 \times 20 \text{mm}$

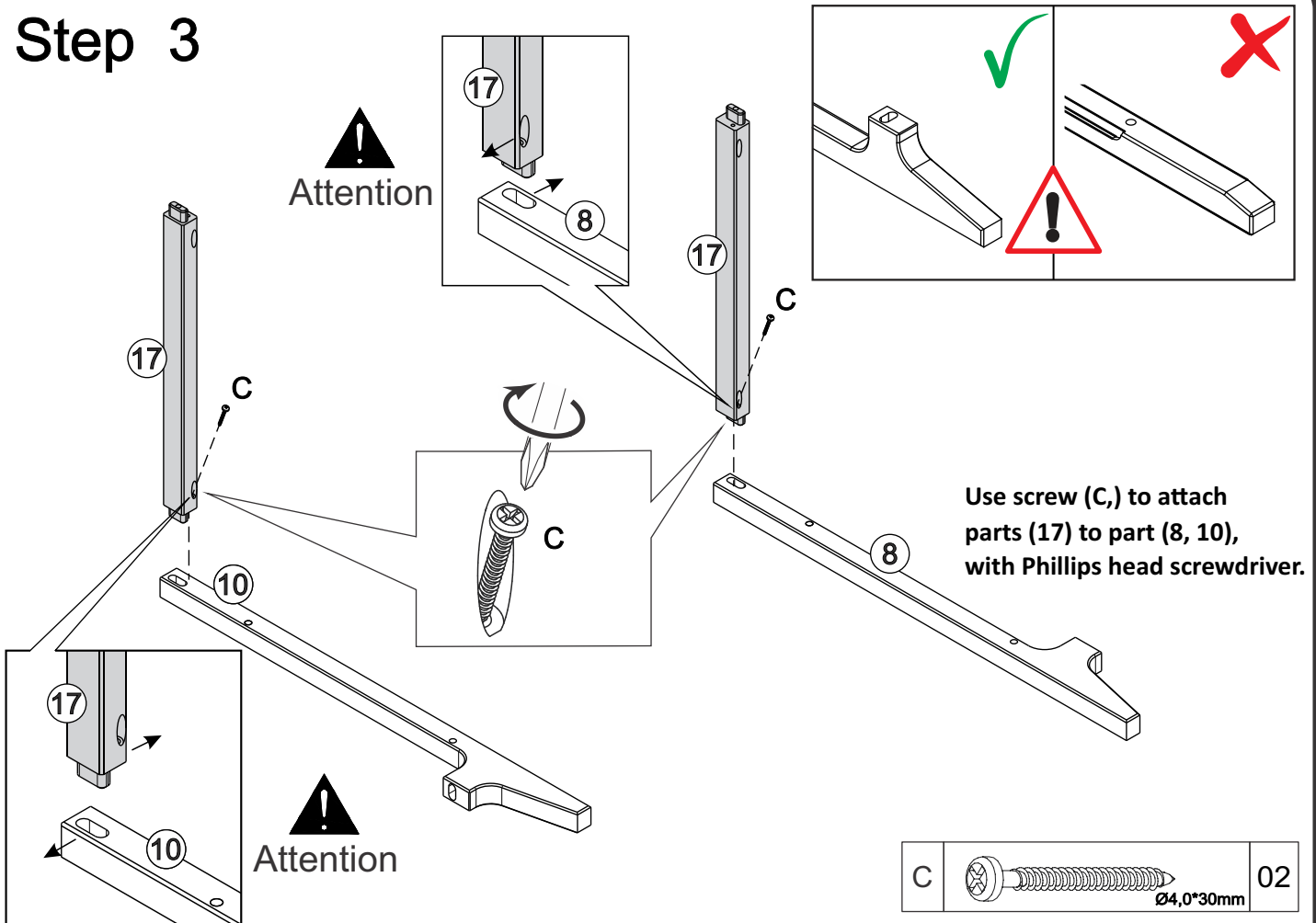


Insert wood dowel (I) into part (25).

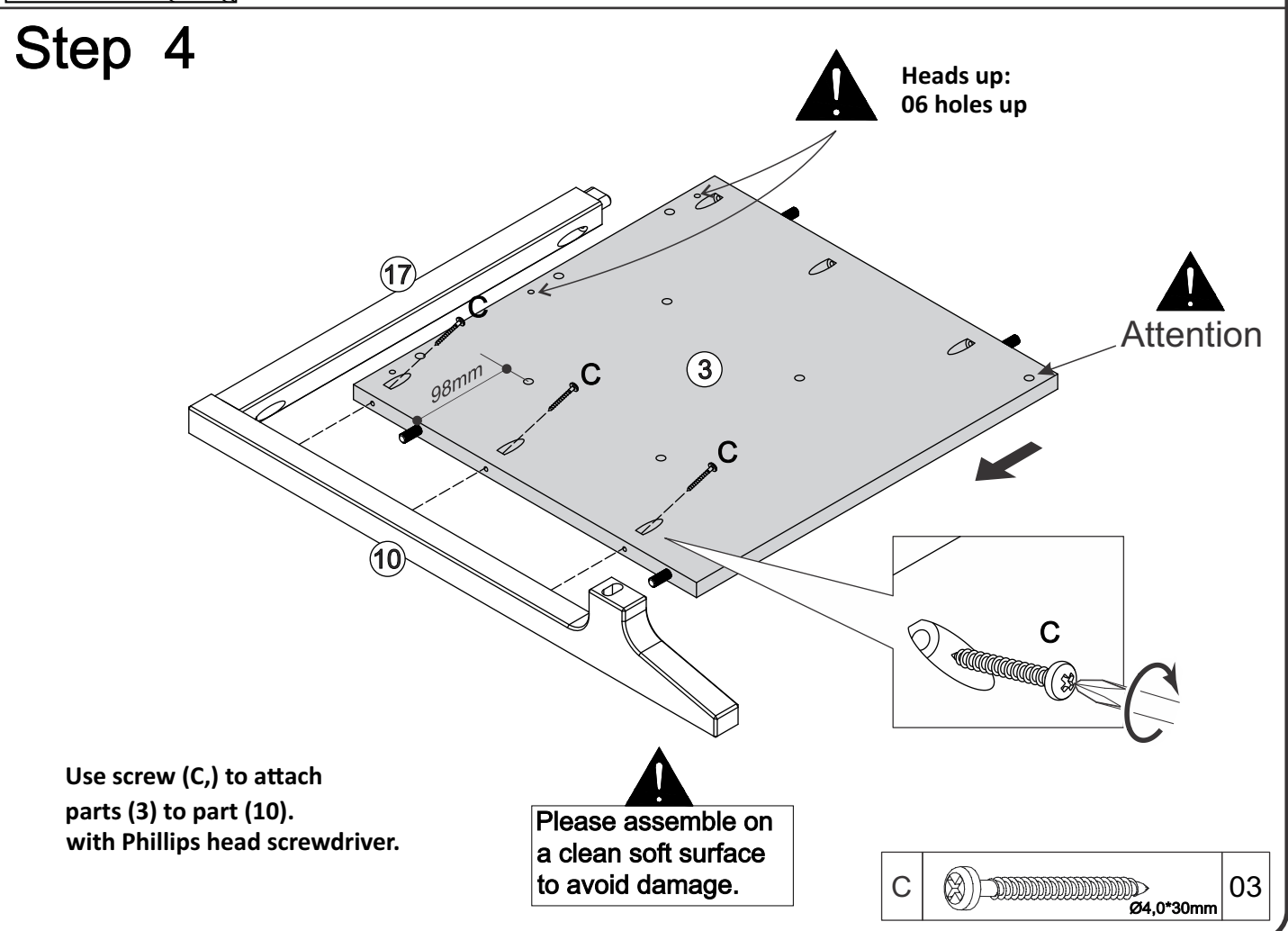
!
Please assemble on a clean soft surface to avoid damage.



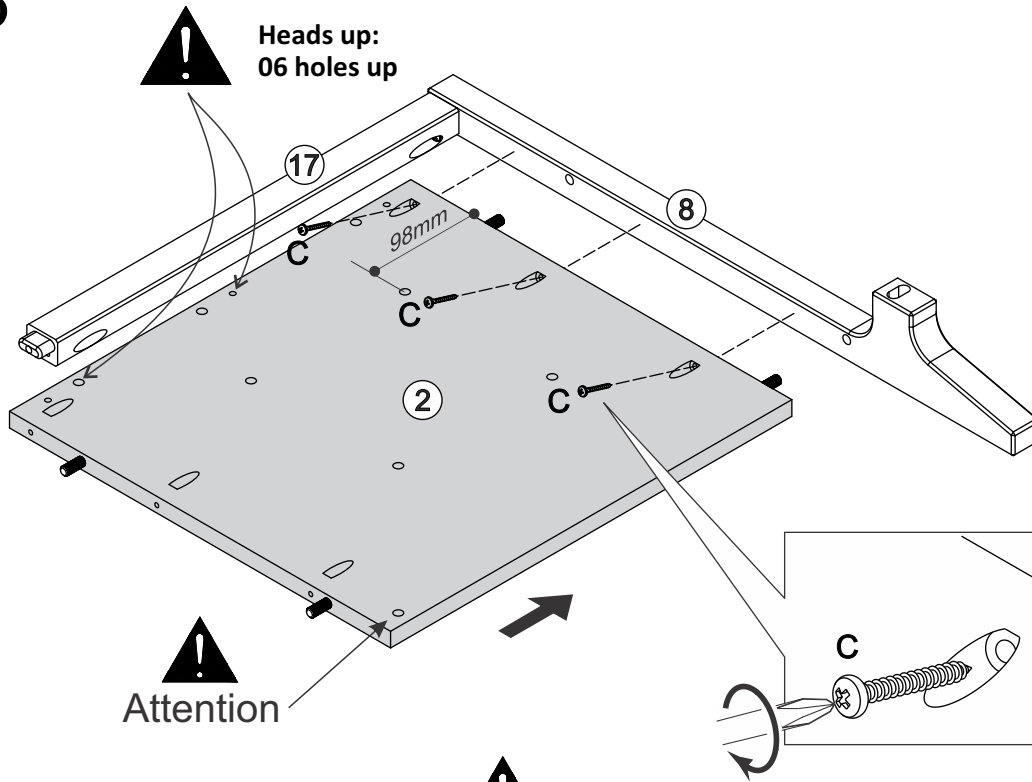
Step 3



Step 4




Step 5

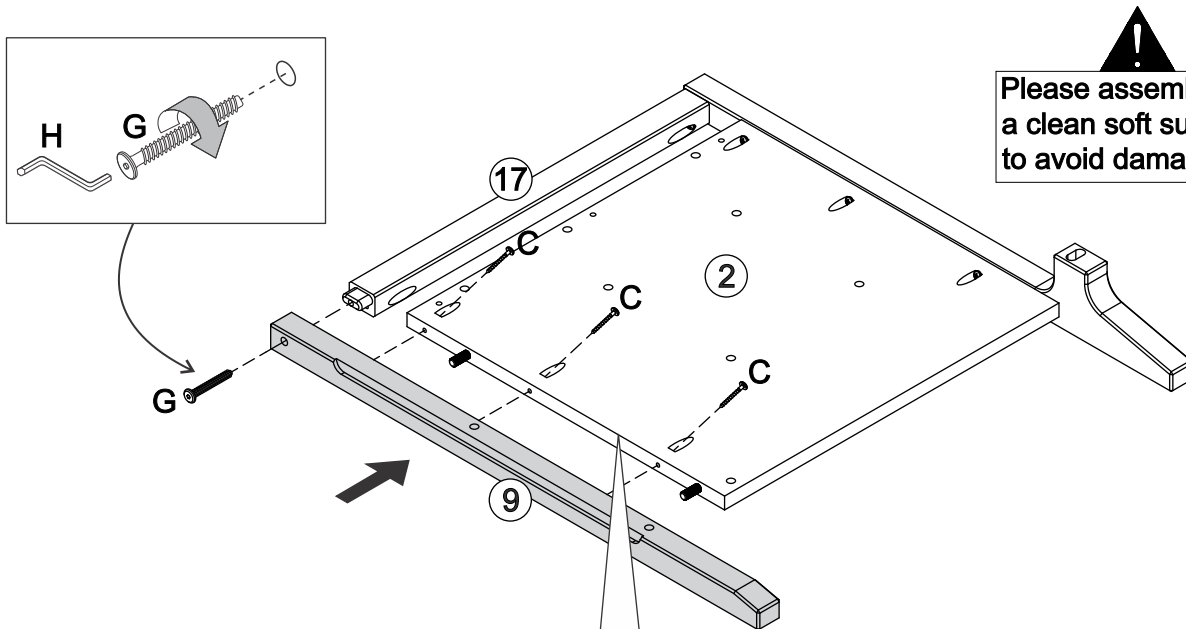


Use screw (C) to attach parts (2) to part (8), with Phillips head screwdriver.

Please assemble on a clean soft surface to avoid damage.


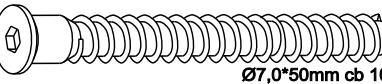

C		Ø4,0*30mm	03
---	---	-----------	----

Step 6



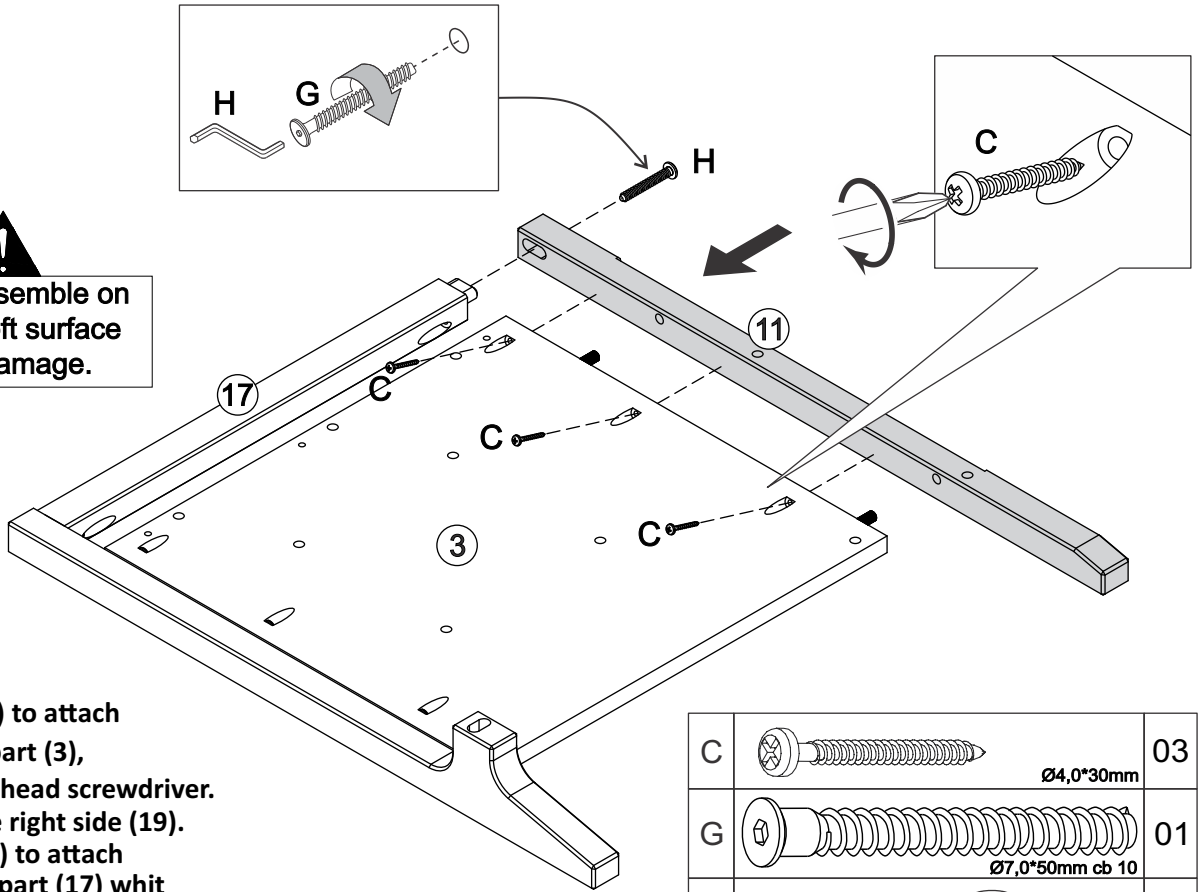
Please assemble on a clean soft surface to avoid damage.

Use screw (C) to attach part (9) to part (2), with Phillips head screwdriver, making it the right side (18). Use screw (G) to attach parts (9) to part (17) with Hex Key (H)

C		Ø4,0*30mm	03
G		Ø7,0*50mm cb 10	01
H			01

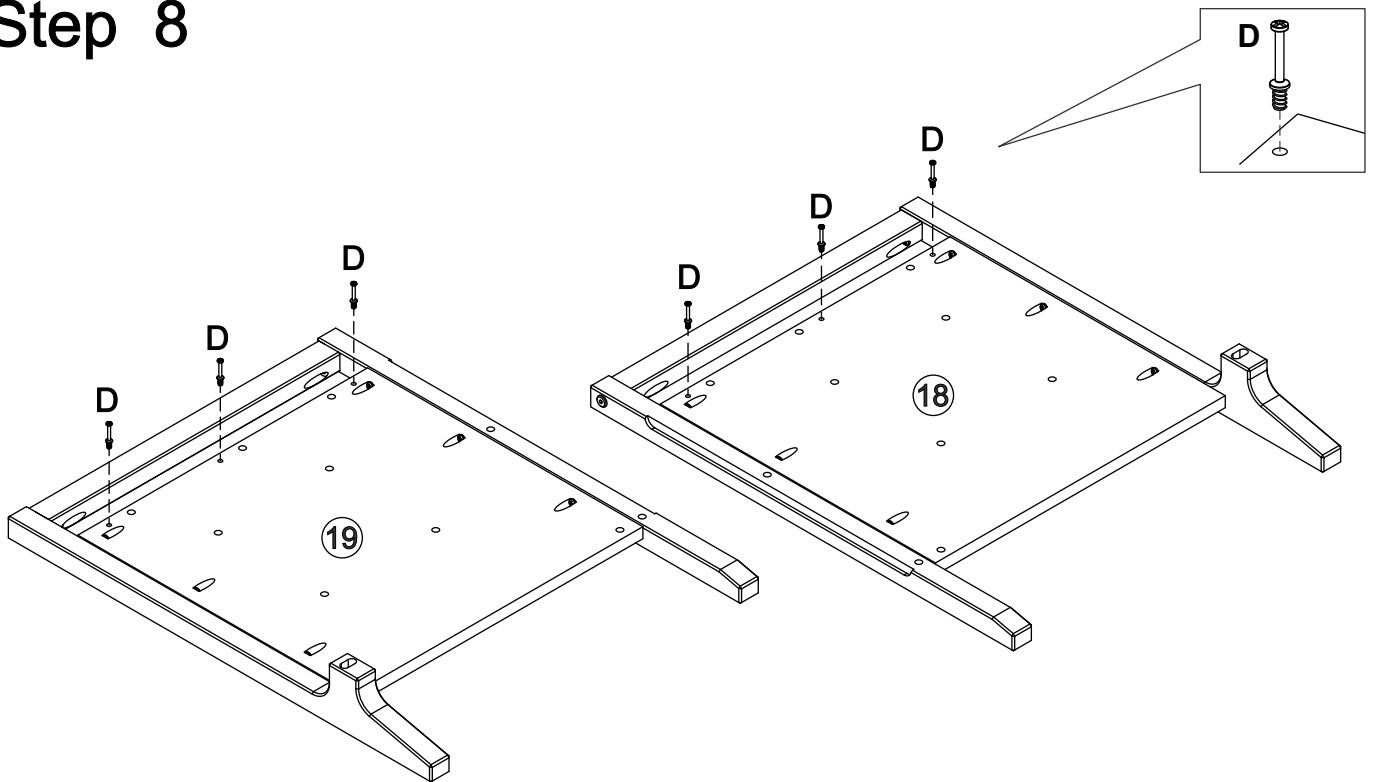
Step 7

!
Please assemble on a clean soft surface to avoid damage.



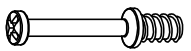
Use screw (C) to attach part (11) to part (3), with Phillips head screwdriver, making it the right side (19). Use screw (G) to attach parts (11) to part (17) with Hex Key (H)

Step 8



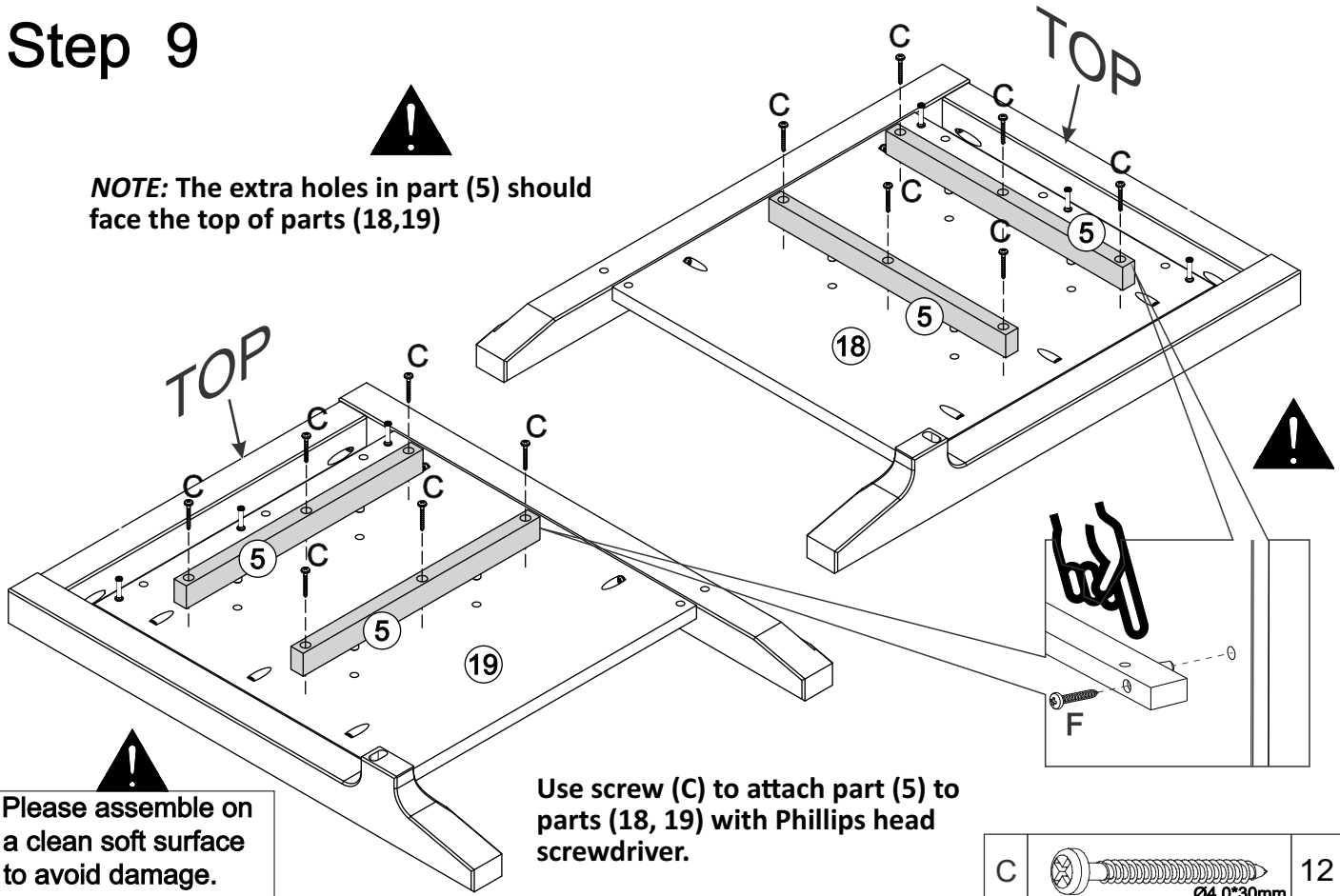
!
Please assemble on a clean soft surface to avoid damage.

Insert cam bolt (D) to part (18,19). with Phillips head screwdriver.

D		06
---	---	----

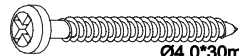
Step 9

NOTE: The extra holes in part (5) should face the top of parts (18,19)



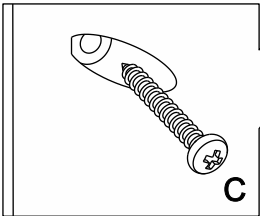
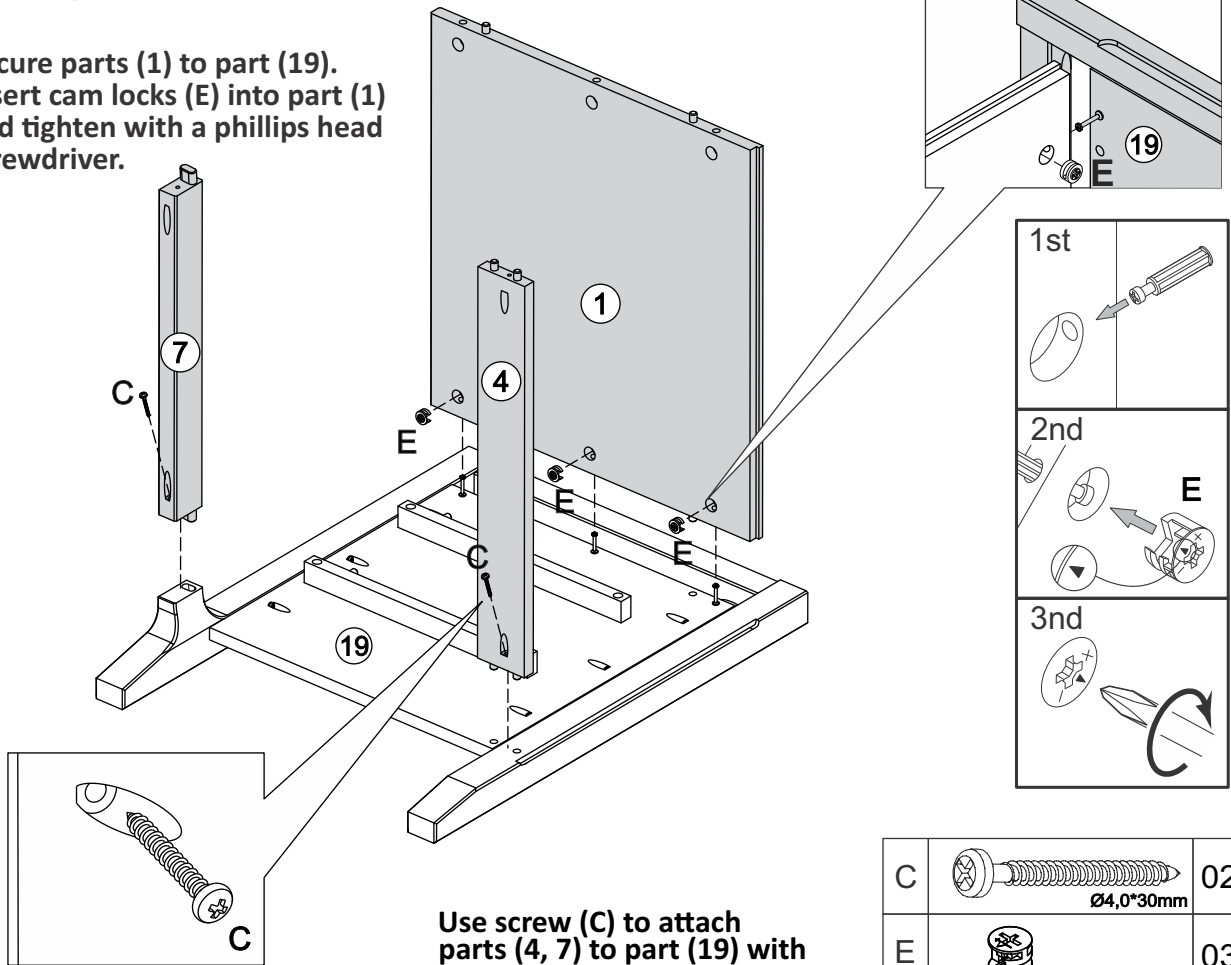
!
Please assemble on a clean soft surface to avoid damage.

Use screw (C) to attach part (5) to parts (18, 19) with Phillips head screwdriver.



C		12
	$\varnothing 4,0 \times 30\text{mm}$	

Step 10

Secure parts (1) to part (19). Insert cam locks (E) into part (1) and tighten with a phillips head screwdriver.

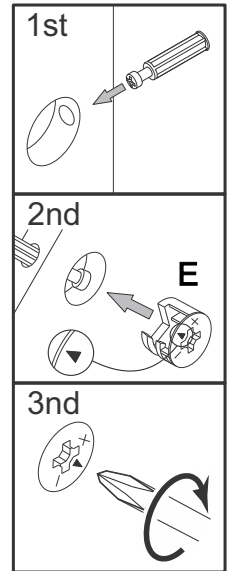
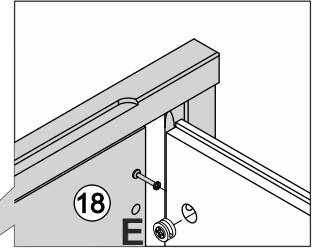
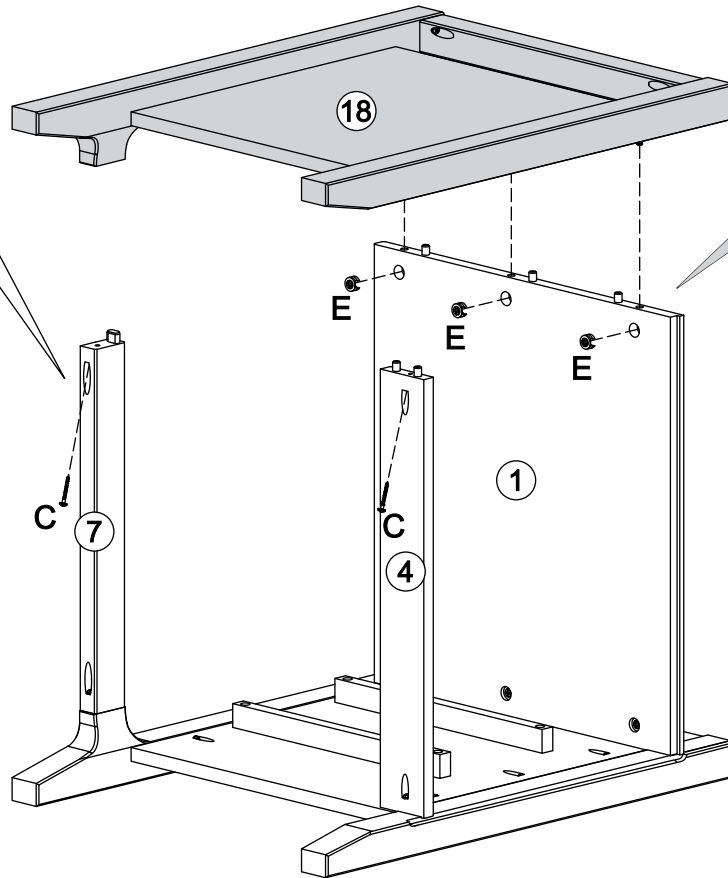
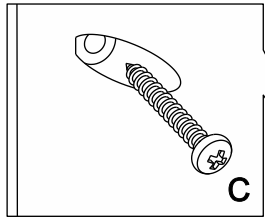


Use screw (C) to attach parts (4, 7) to part (19) with Phillips head screwdriver.

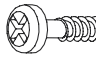

C		02
	$\varnothing 4,0 \times 30\text{mm}$	
E		03
	$\varnothing 15 \times 09\text{mm}$	

Step 11

Secure parts (1) to part (19).
Insert cam locks (E) into part (1)
and tighten with a phillips head
screwdriver.

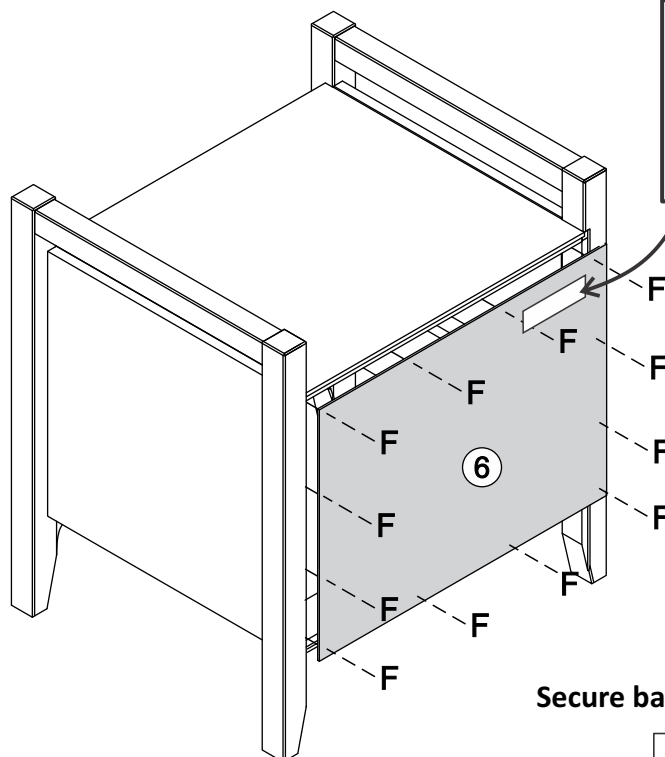


Use screw (C) to attach
parts (4, 7) to part (18) with
Phillips head screwdriver.

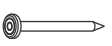
C		02 Ø4,0*30mm
E		03 Ø15*09mm

Step 12

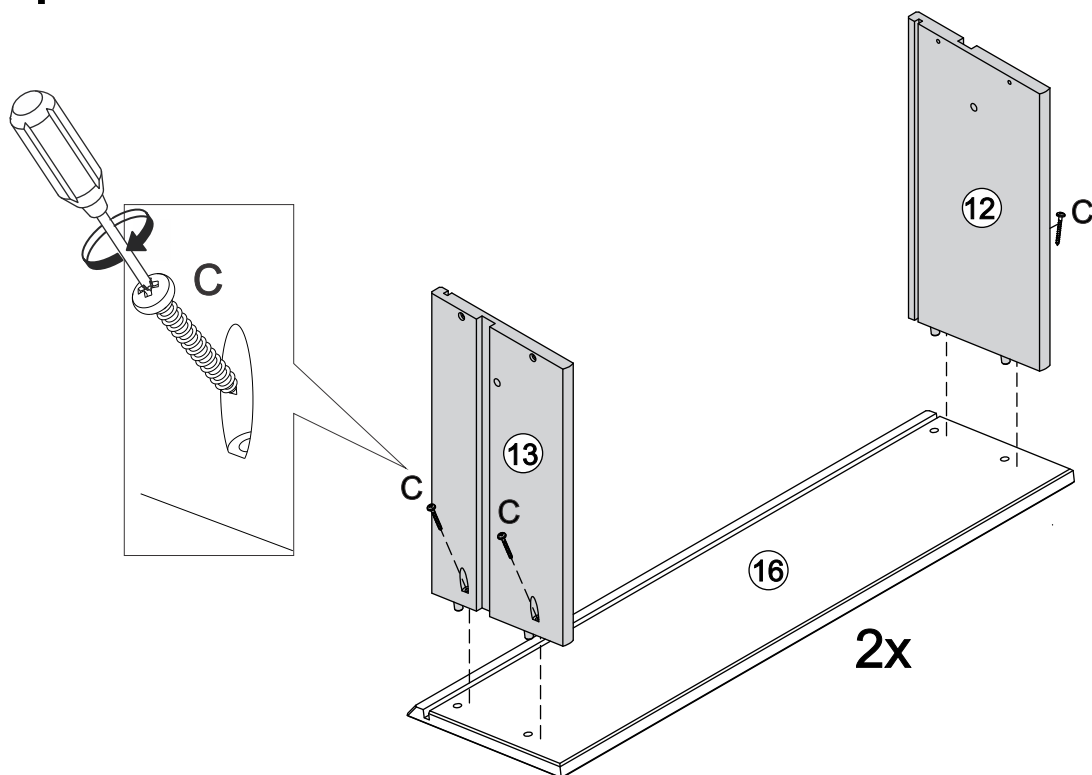
Name and
address of
the supplier
and date of
production.



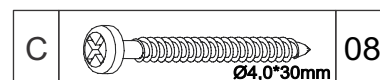
Secure back panel (6) with nail (G).

F		12 Ø8*8mm
---	---	--------------

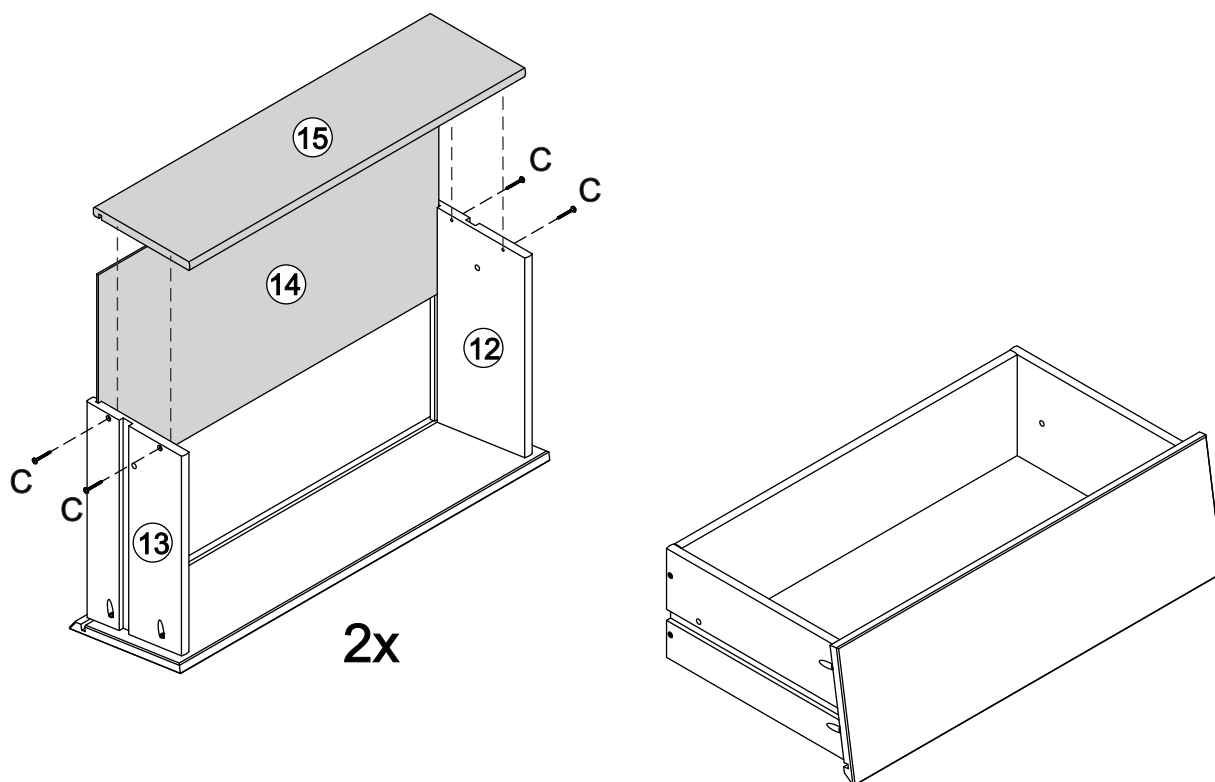
Step 13



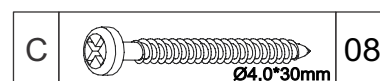
Use screw (C) to attach parts (12, 13) to part (16) with Phillips head screwdriver.



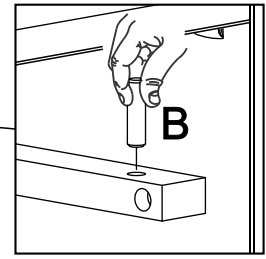
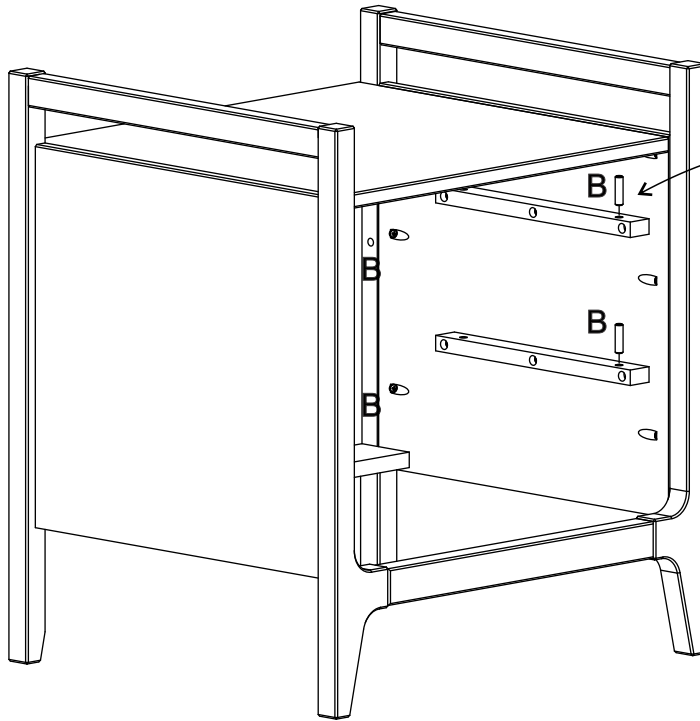
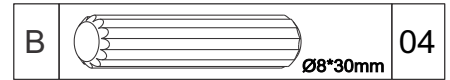
Step 14



Insert panel (14) into parts (12, 13). Use screw (C) to secure part (15) to parts (12, 13) with Phillips head screwdriver.



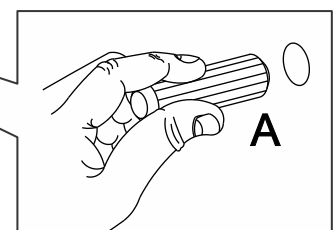
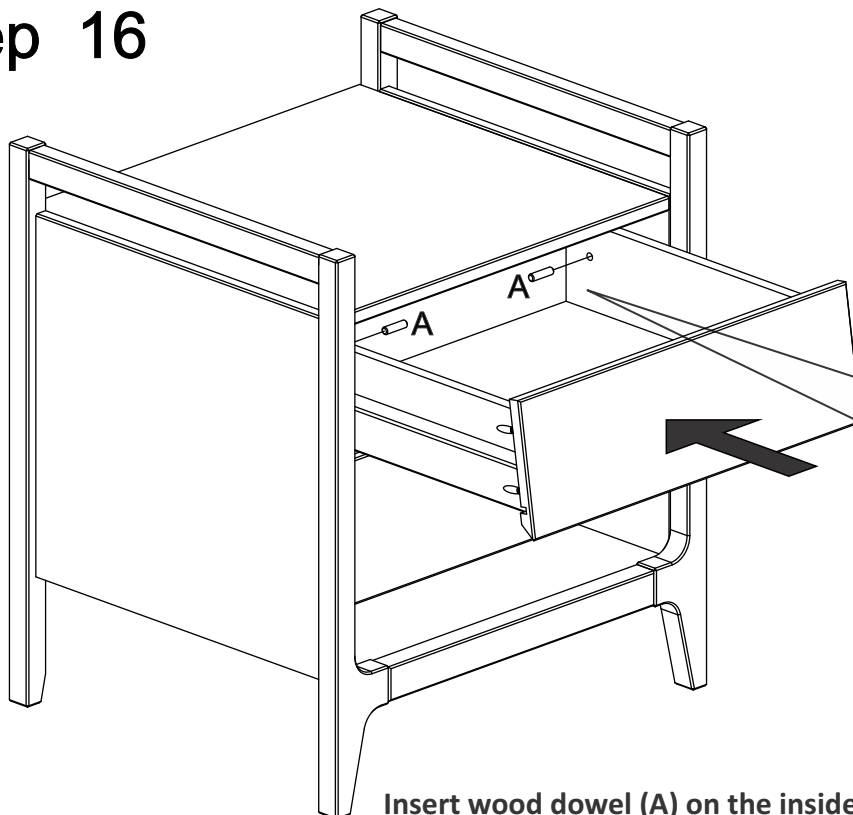
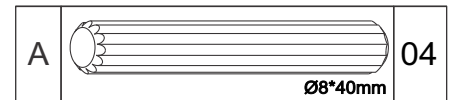
Step 15



Insert wood dowel (B)

Insert the dowels (B) into the drawer side.

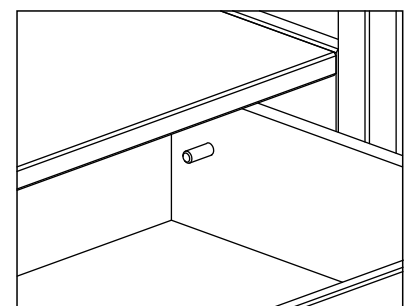
Step 16



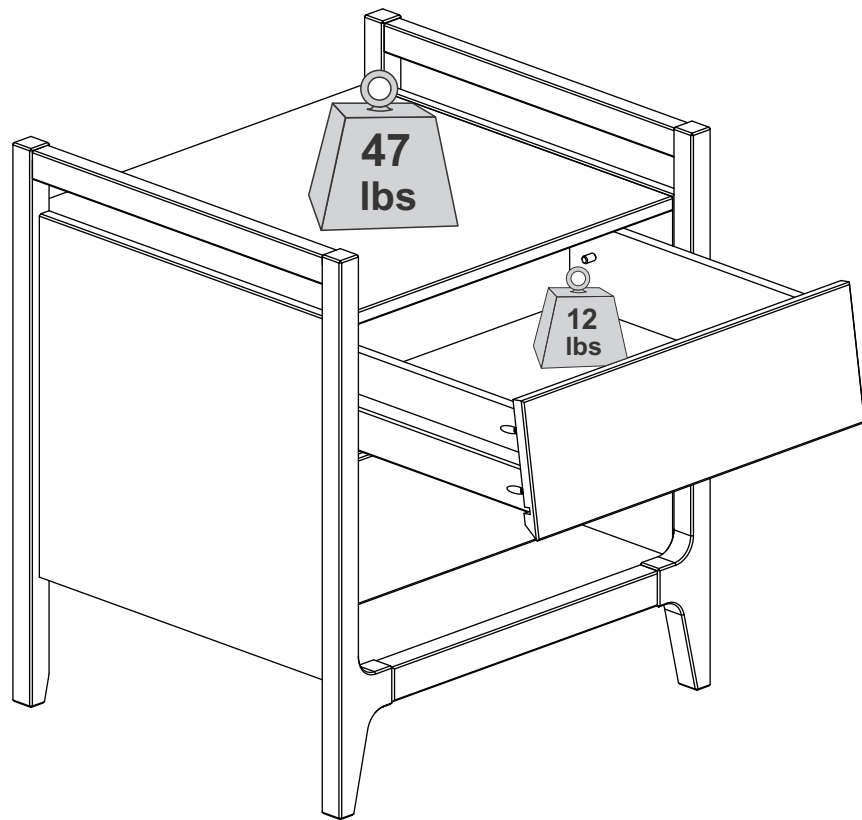
Insert wood dowel (A)

Insert wood dowel (A) on the inside of all drawers, with the drawer inside the unit, after having passed the wood dowel that is in the drawer slide.

The dowel is not flush with the panel, it is a little inside the drawer to help when you need to remove the lock dowel to remove the drawer.



Step 17



Assembly Complete!