

88 5537 28

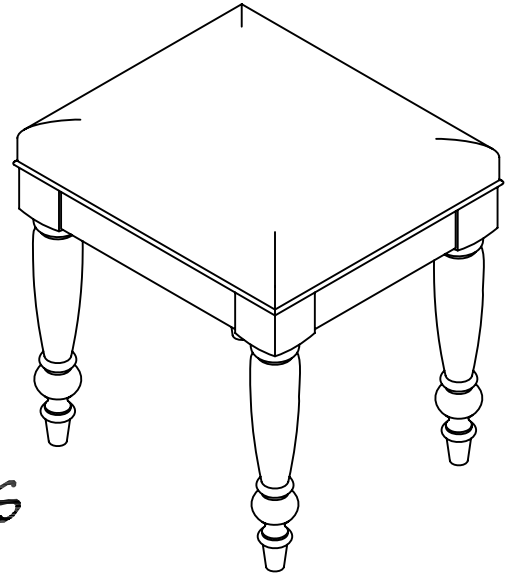
Lafayette Bench

IMPORTANT NOTE

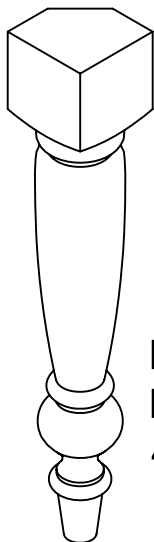
Carefully remove all the parts from the carton and put them individually on a soft cloth to prevent scratches or other damages occurring to the wood parts.

We have taken great care in the design of this product and request that you carefully and strictly follow our assembly instructions to ensure a completed product as it was designed.

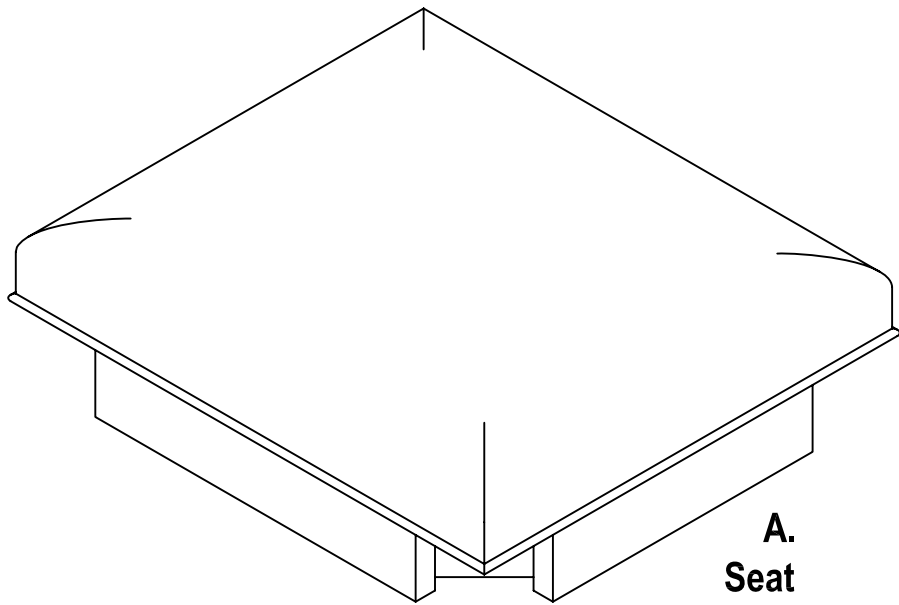
Home Styles



Part List

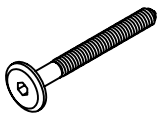


B.
Leg
4 pcs.



A.
Seat
1 pc.

Hardware List



Bolt
8 pcs. (+1 extra)



Flat Washer
8 pcs. (+1 extra)



Spring Washer
8 pcs. (+1 extra)



Hex Wrench
1 pc.



Hex Wrench (Small)
1 pc.

Home Styles Consumer Assistance Line 888-680-7460 and 877-831-0319
servicedesk@homestyles-furniture.com

Assembly Instructions 2/2

IMPORTANT

- * Do not tighten up all the bolts until each part is properly assembled.
- * Use a soft cloth between these parts and the floor.

STEP 1

Attach Seat (A) to the Legs (B) using Bolts, Flat Washers and Spring Washers.

Tighten using the Hex Wrench.
(See figure 1)

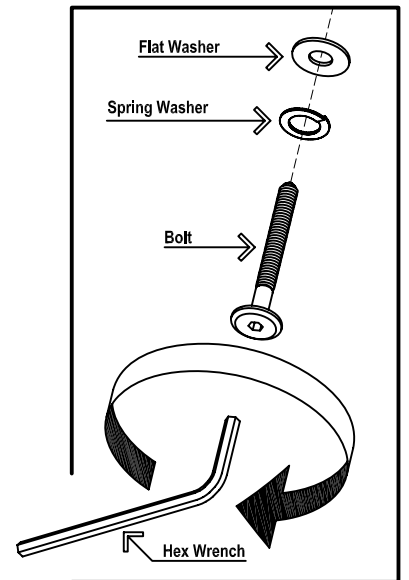
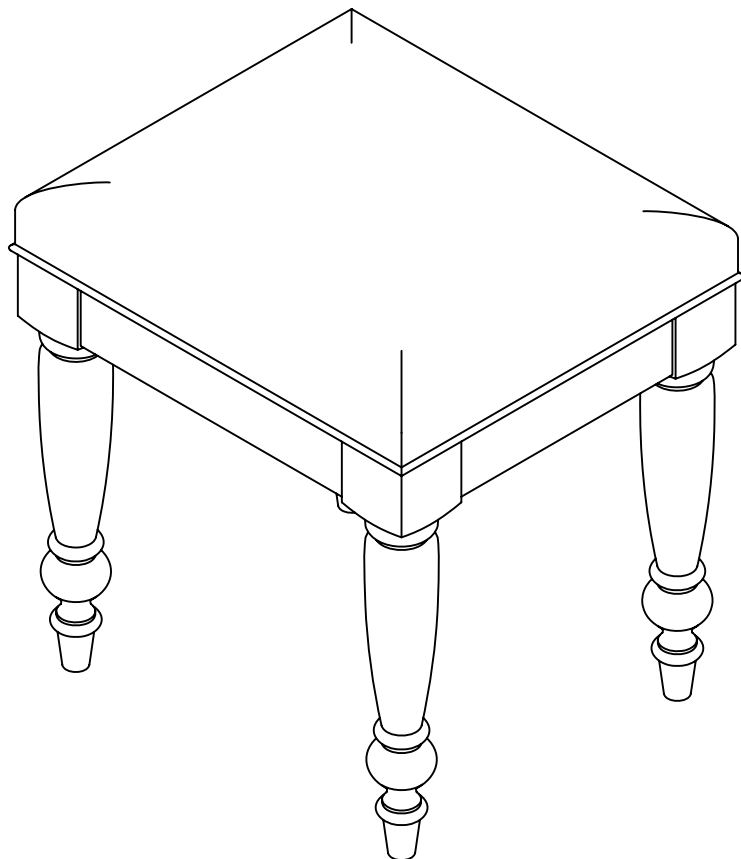
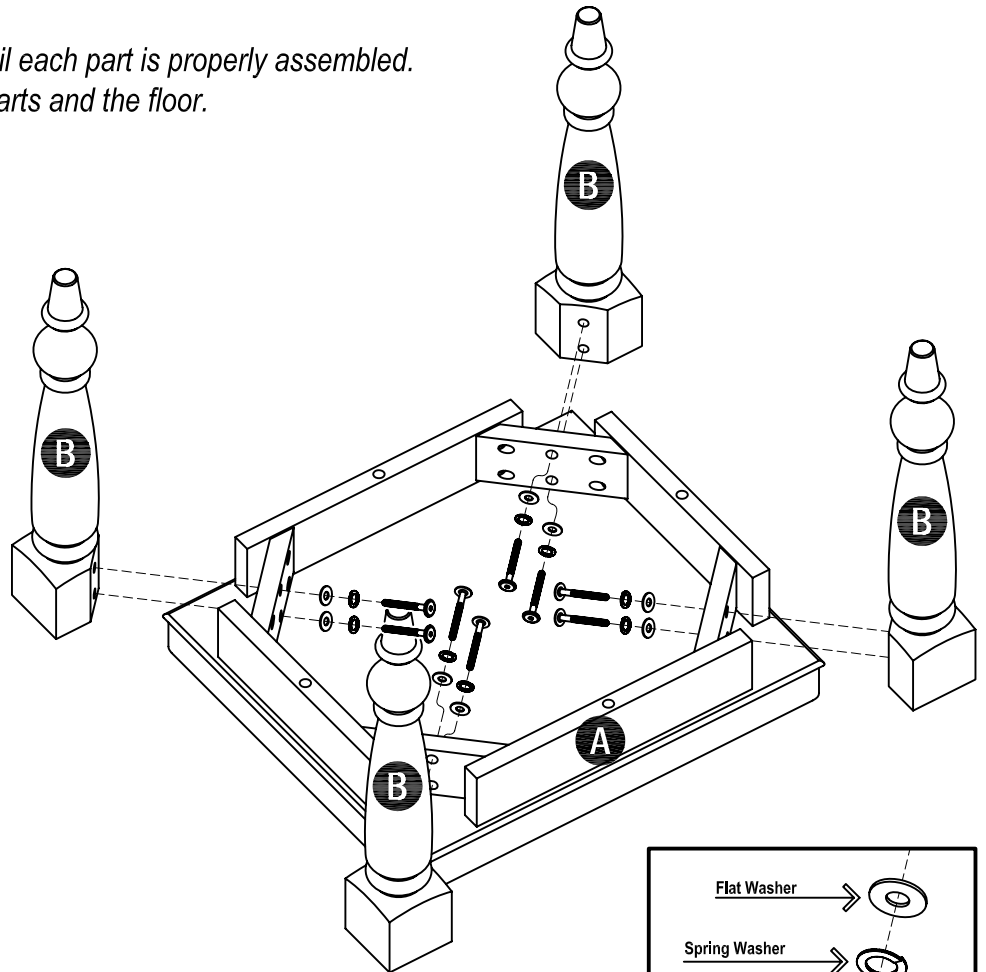


Figure 1

STEP 2

Turn the unit to its' upright position.

VERY IMPORTANT !!

CARE INSTRUCTIONS

NEVER

USE GLASS CLEANERS ON FINISHED FURNITURE. AMMONIA WILL CHEMICALLY ATTACK THE LACQUER.

NEVER

ALLOW LIQUIDS OF ANY KIND TO REMAIN ON THE FURNITURE. ABSORPTION CAUSES WOOD TO WARP AND SPLIT AND FINISHES TO DELAMINATE.

DO NOT WRITE DIRECTLY ON SURFACE.



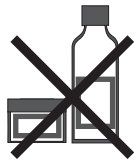
PREVENT MARKING

DO NOT PLACE IN DIRECT SUNLIGHT.



PREVENT FADING

DO NOT USE COMMERCIAL WAXES AND POLISHES.



PREVENT YELLOWING

DO NOT PLACE HOT OBJECTS ON SURFACE.



PREVENT FINISH DAMAGE

DO NOT USE RUBBER BASED PLACE MATS.



PREVENT DISCOLORING

TO CLEAN

USE A SOFT CLOTH MOISTENED IN LEMON OIL POLISH OR LUKEWARM SOAP AND WATER, THEN BUFF WITH A DRY CLEAN CLOTH.

