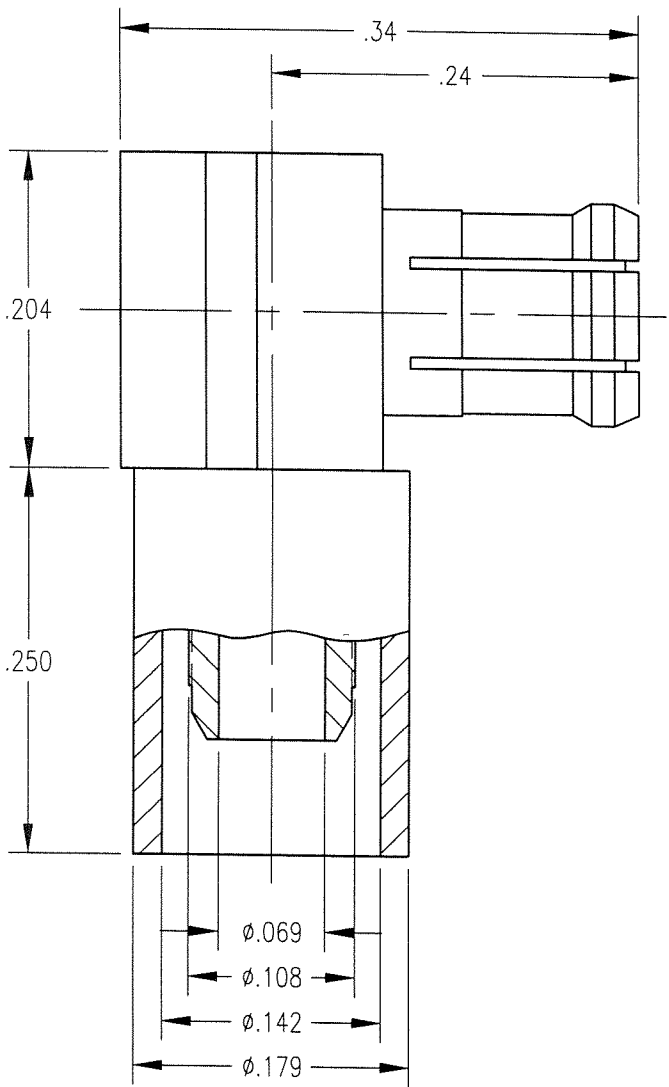
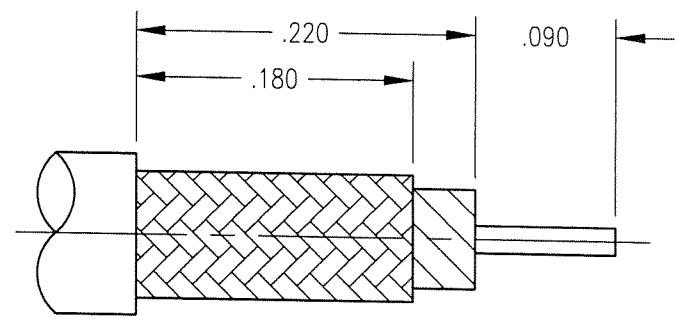


DWG. NO.			
452-900-0631N			
REV	DESCRIPTION	BY DATE	APPD
D	ECR 6638	MJM 2/7/01	<i>[Signature]</i>



- NOTES:
- MATERIALS:
 FRONT BODY: BERYLLIUM COPPER PER ASTM B196
 INSULATOR: TEFLON PER ASTM D1710
 ALL OTHER METAL PARTS: BRASS PER ASTM B16
 - FINISH:
 CENTER CONTACT: .000030 MIN. GOLD PER MIL-G-45204 OVER
 .000050 MIN. NICKEL PER QQ-N-290
 ALL OTHER METAL PARTS: .000100 MIN. NICKEL PER QQ-N-290
 OVER COPPER FLASH
 - FOR USE WITH RG-316 DOUBLE SHIELDED CABLE OR EQUIVALENT.
 - FOR CABLING PROCEDURES USE CAP 9-09 WITH TRIMMING DIMENSIONS SHOWN.
 - CRIMP FERRULE USING .151 HEX DIE.



CABLE TRIMMING DIMENSIONS

PER ASME Y14.5M-1994 UNLESS OTHERWISE SPECIFIED: DIMENSIONS ARE IN INCHES (MM)				Litton			
TOLERANCES: DECIMALS .xx ± .01/0.254 xxx ± .005/0.127 ANGLES ± 2° SCALE: 8:1				Winchester/Retconn 400 Park Road Watertown, Connecticut 06795			
CUSTOMER DRAWING			TITLE	MCX R/A CABLE PLUG FOR RD-316 CABLE			
DRAWN	DATE	CHECKED	DATE	A	452-900-0631N	SHT. 1 OF 1	REV. D
JED	4/27/98	JMC	4/27/98				
APPROVED	DATE	APPROVED	DATE				
PRP	4/27/98	PRP	4/27/98				