

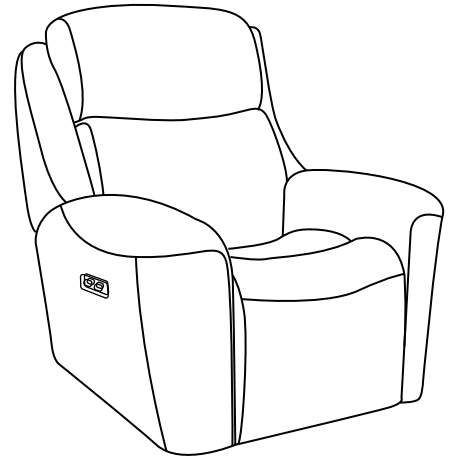
FLEXSTEEL®

Power Recliner with Power Headrest Power Gliding Recliner with Power Headrest

IMPORTANT NOTE

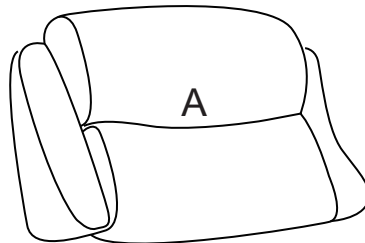
Read these instructions carefully, and familiarize yourself with each procedure before assembling the furniture. Check that you have all the component parts, and familiarize yourself with each part before proceeding.

Take all the fittings out of the plastic bag and separate them into groups. Ensure you have enough space to lay out all the parts before assembly. To prevent damage to the parts, we recommend that you assemble the unit on a soft, level surface.

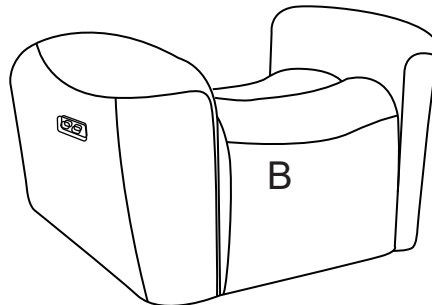


Part List

- A. Back Cushion
1 piece



- B. Seat Cushion
1 piece

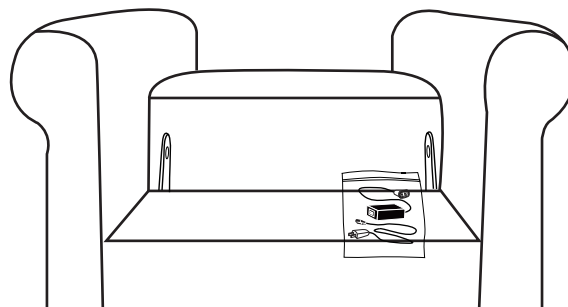


Assembly Instructions

STEP 1

Detach the transformer from the back of the Seat (B). (See Figure 1.)

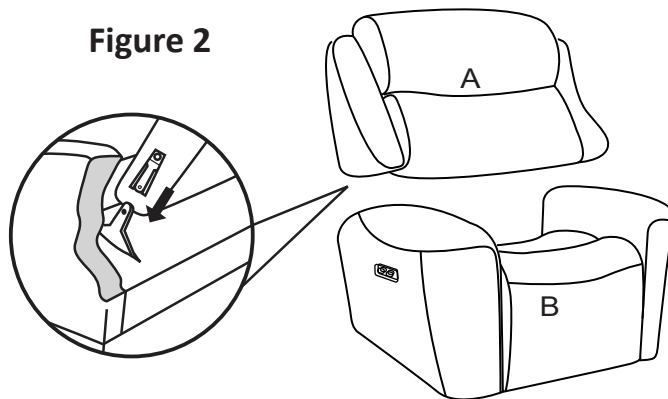
Figure 1



Assembly Instructions

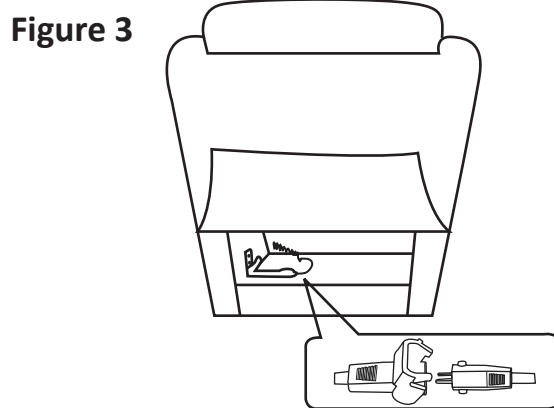
STEP 2

Attach the Back (A) to the Seat (B). Ensure the latches fit well. (See Figure 2.)



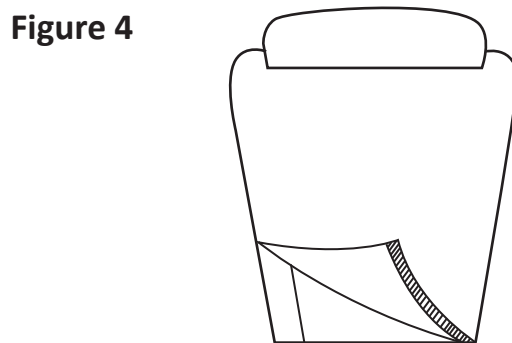
STEP 3

Flip up the back flap, and remove the headrest cable from the Back (A). Connect the headrest cable to the power button control cable, and place them behind the flap. (See Figure 3.)



STEP 4

Fasten the back flap to the bottom of the furniture. (See Figure 4.)



STEP 5

Plug the transformer into a nearby outlet, still making sure it is clear of the metal base.

IMPORTANT NOTE

- To avoid any risk of suffocation to children or pets, dispose of all plastic bags immediately.
- To ensure proper performance, occasionally check for loose screws and tighten as needed.
- If the reclining functions are not working properly, check for loose cable connections before contacting the retailer.