

# Installation Instructions

## Wall Sconce

Record your model number:  
Noter le numéro de modèle:  
Anoté su número de modelo: \_\_\_\_\_

Français, page 8  
Español, página 14

**KOHLER**<sup>®</sup>

## Thank You for Choosing KOHLER

---

Need help? Contact our Customer Care Center.

- USA/Canada: 1-800-4KOHLER (1-800-456-4537) Mexico: 001-800-456-4537
- Service parts: [kohler.com/serviceparts](http://kohler.com/serviceparts)
- Care and cleaning: [kohler.com/clean](http://kohler.com/clean)
- Patents: [kohlercompany.com/patents](http://kohlercompany.com/patents)


## Warranty


---

This product is covered under the **KOHLER® Indoor Lighting Fixtures Limited Warranty**, found at [kohler.com/warranty](http://kohler.com/warranty).  
For a hardcopy of warranty terms, contact the Customer Care Center.

## Before You Begin

---

 **DANGER: Risk of electric shock.** To avoid electrical shock, the electricity must be turned OFF at the circuit breaker or fuse box before beginning installation.

 **DANGER: Risk of electric shock.** To avoid electrical shock, the electrical outlet box must be properly grounded.

**IMPORTANT!** Do not exceed recommended wattage. Rated Max 60 W E12 base B11 or T8 bulb(s) not included.

Follow all local plumbing, building, and electrical codes.

Please read all instructions before you begin.

The fixture should be installed by a qualified electrician.

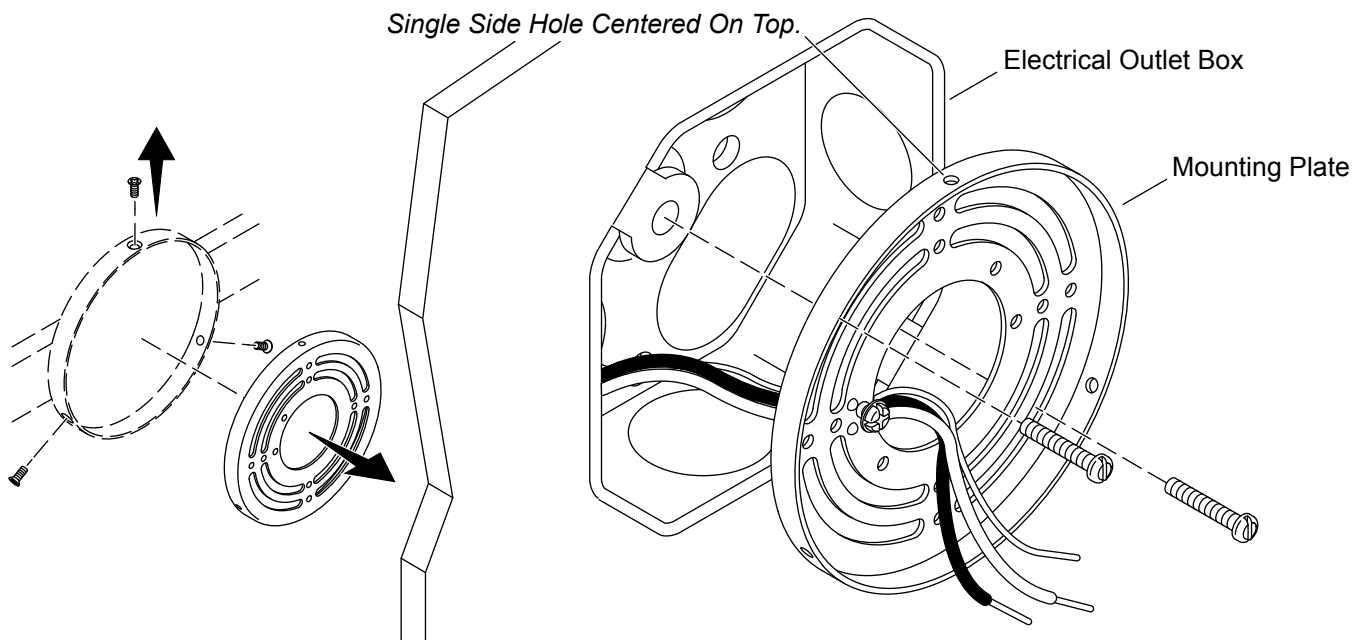
This fixture is for indoor use only.

Carefully inspect the fixture for damage.

Your product may appear different from the one illustrated. The installation procedure is the same.

## 1. Install the Mounting Plate

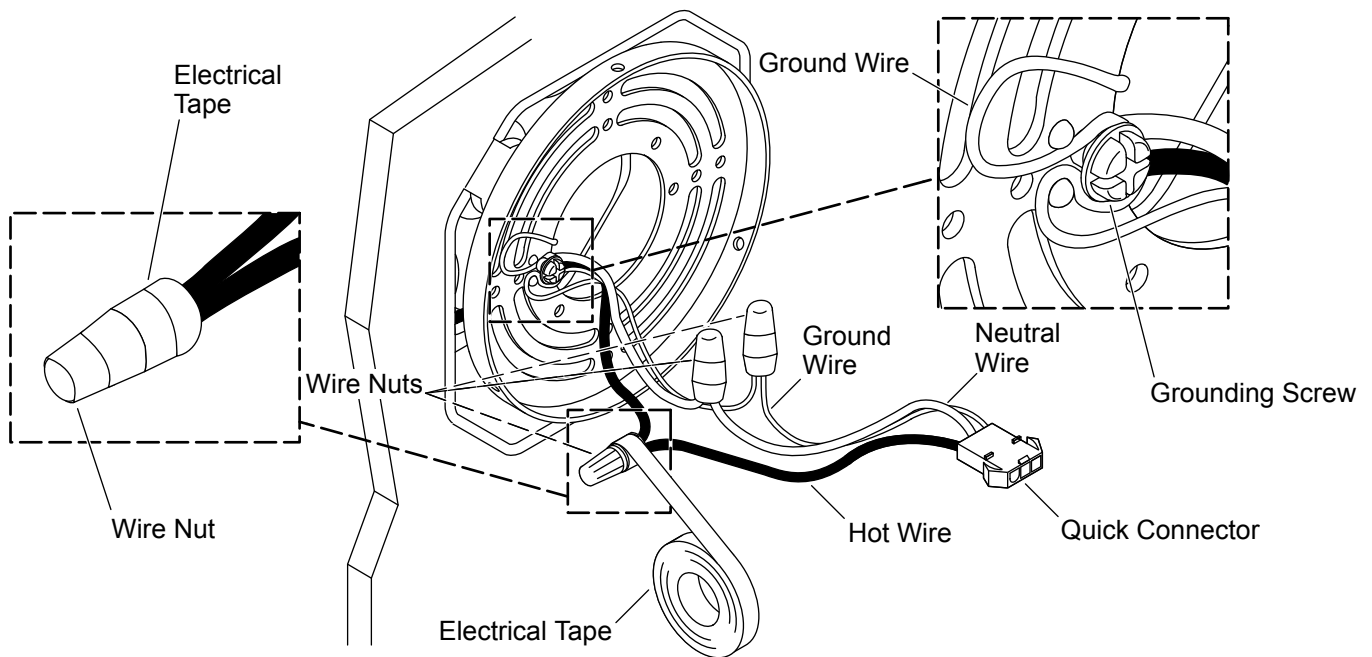
---



- Remove the screws securing the mounting plate to the fixture and remove the mounting plate.
- Carefully pull out the electrical wires from the electrical outlet box and allow the electrical wires to hang down.
- Position the flat side of the mounting plate flat against the electrical outlet box.
- Align the mounting holes on the mounting plate with the holes on the electrical outlet box.
- Position the mounting plate so that a single side hole is centered at the top.
- Securely tighten the mounting plate to the electrical outlet box with the mounting screws (included).

## 2. Connect the Electrical Wires

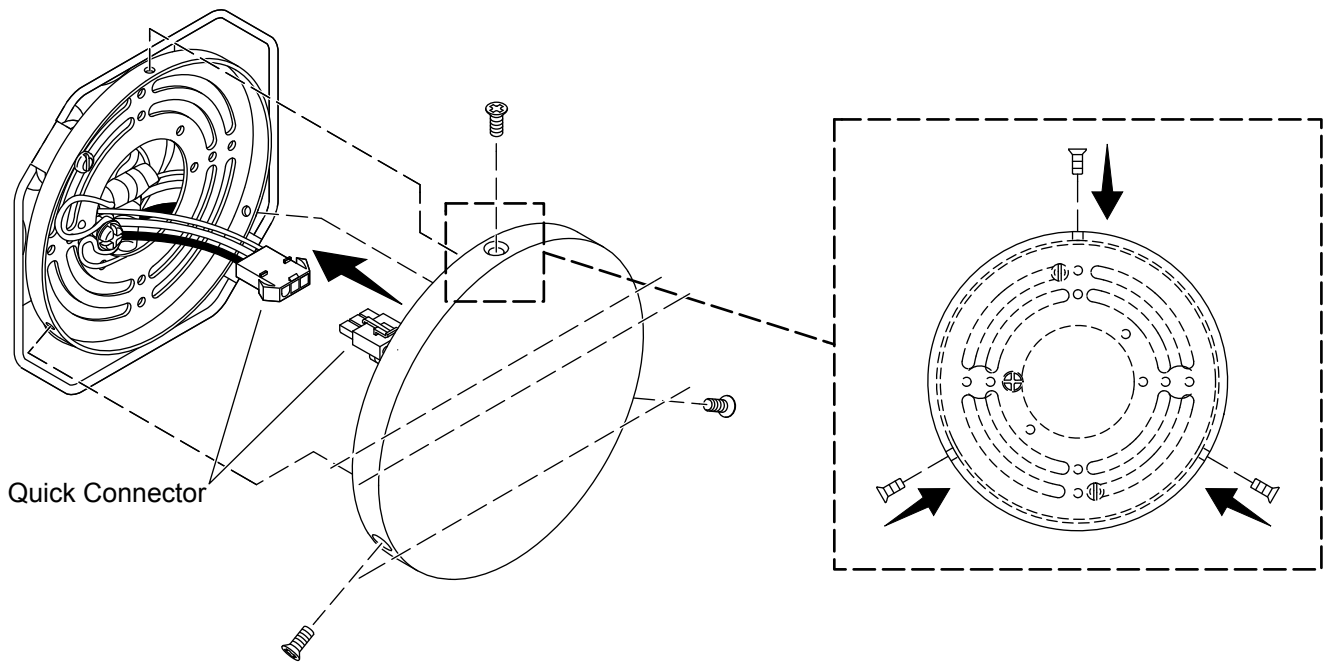
---



- Make a loop in the ground wire and wrap around the grounding screw on the mounting plate. Tighten the grounding screw.
- Attach the ground wire (green), from the quick connector, to the ground wire (usually bare copper or green) from the electrical outlet box.
- Fasten the ground wires together with the provided wire nut.
- Attach the neutral wire (white), from the quick connector, to the neutral wire (usually white) in the electrical outlet box.
- Fasten the neutral wires together with the provided wire nut.
- Attach the hot wire (black), from the quick connector, to the hot wire (usually black) in the electrical outlet box.
- Fasten the hot wires together with the provided wire nut.
- Wrap the wire nuts with electrical tape.
- Verify that all plastic wire nuts are securely fastened and strands of bare wire are not exposed.

### 3. Install the Fixture

---

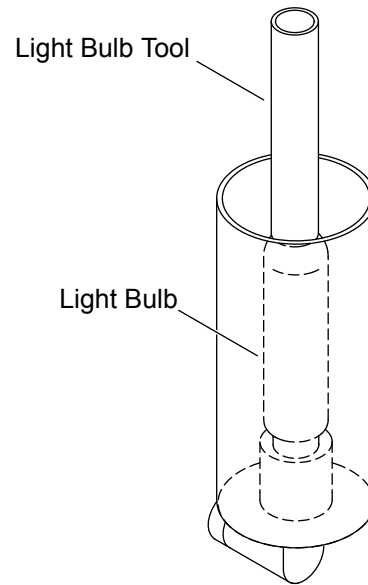
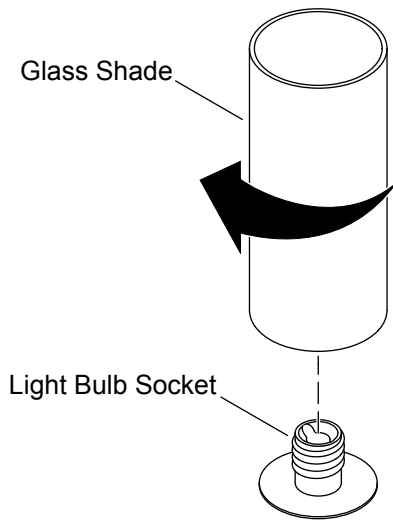


**NOTE:** Your product may appear different than the one illustrated. The installation procedure is the same.

- Carefully position the electrical wires inside the electrical outlet box behind the mounting plate.
- Connect the quick connector to the fixture.
- Position the fixture over the mounting plate and align the screw holes.
- Secure the fixture to the mounting plate with the provided screws.
- If the fixture is not level, remove the fixture, loosen the mounting bracket screws, and rotate the mounting bracket as needed. Tighten the mounting bracket screws and install the light fixture.

## 4. Install the Shade(s)

---



- Thread the glass shade(s) onto the light bulb socket(s). Handtighten until the glass shade is secure.
- Gently twist the light bulb tool over the end of the light bulb(s).
- Insert the light bulb(s) into the light bulb socket(s).
- Turn ON the main electrical supply from the main fuse or circuit breaker.
- Confirm proper operation.