



Project Name: _____

Location: _____

Item #: _____ Qty: _____

Model: _____

SILVER SAVER BURNISHER (3/4 HP)

MODEL: BB-914



BB-914

The Blakeslee Silver Saver is the only burnishing unit that will restore luster and brightness to stainless-silver tableware. Special porcelain-ceramic burnishing media and chemical compound makes it possible to restore luster and brightness to stainless steel flatware, hollow ware, aluminum ware, pewter and silverware. So it looks just like new!

FEATURES AND CONSTRUCTION

- 0.75 HP silver burnisher with open-top design for easy loading and unloading
- Porcelain-ceramic media, non-rusting, 1/3 the weight of steel balls eliminates peening of hollow ware
- Burnishing operation cycle is less than 10 minutes
- Quiet operation, less than 85 decibels
- Exterior is constructed of PBS plastic with 3" swivel casters for mobility or for storage when not in use
- Interior polishing tub is 11-gauge steel with polyurethane lining and chemical compound tank is molded plastic
- Supplied with ceramic burnishing media and polishing compound
- Burnishing compound is safe for brass, silver and stainless steel
- De-tarnishing soaking is not necessary

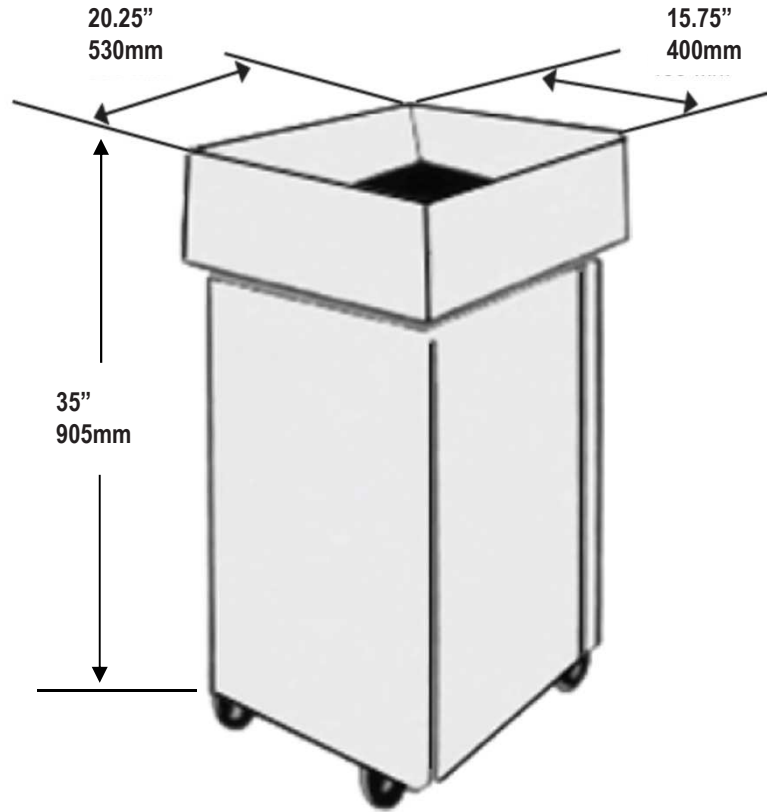
ELECTRIC

115V / 60Hz / 1Ph 9.4 Amps
Grounded cord and plug

BLAKESLEE WARRANTY (USA / CANADA)

Blakeslee burnishers are warrantied for one year from date of installation against defective materials and workmanship; three years tub lining coarse.

Contact Blakeslee USA for details at service@blakesleeinc.com or 630.532.5021



APPROXIMATE SHIPPING SPECIFICATIONS

MODEL	UNIT DIMENSIONS	SHIPPING DIMENSIONS	ELECTRICAL	AMPS	UNIT WEIGHT	SHIPPING WEIGHT
BB-914	15.75" x 20.25" x 35" (400 x 515 x 889 mm)	24" x 32" x 39" (610 x 813 x 990 mm)	115V/60Hz/1Ph	9.4A	104 lbs (63.6 kg)	205 lbs (93 kg)