

NOTES: UNLESS OTHERWISE SPECIFIED

1. MATERIAL SPECIFICATIONS:

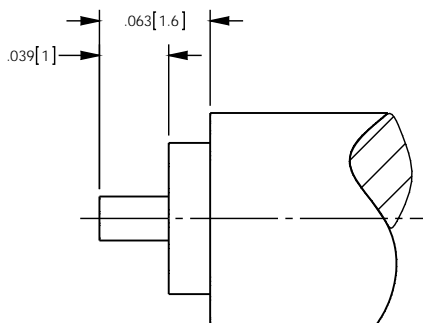
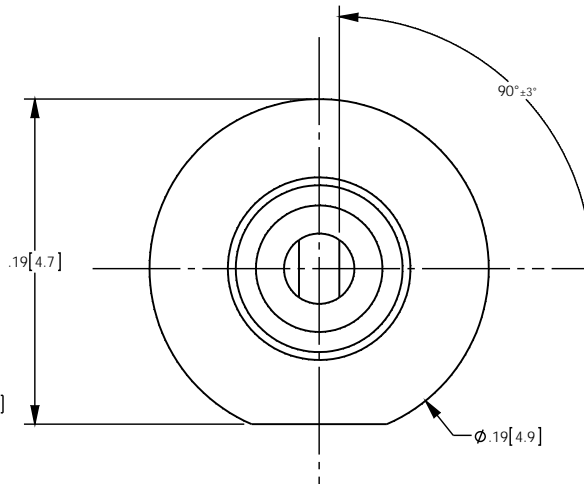
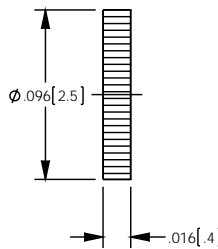
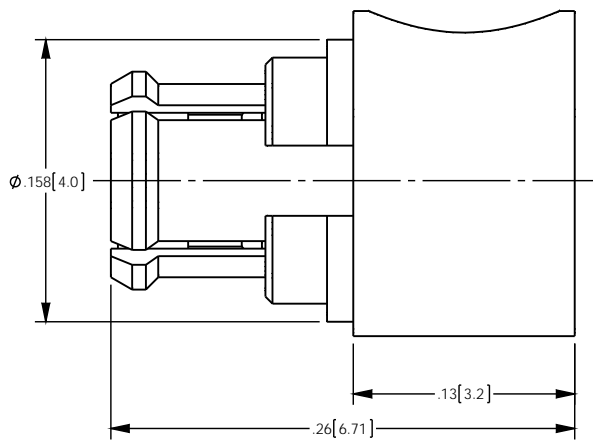
BODY AND CONTACT: BERYLLIUM COPPER  
 INSULATOR: PTFE  
 RETAINING RING AND COVER: BRASS

2. FINISH SPECIFICATIONS:

CONTACT: .000030 MIN. GOLD OVER .000050 MIN. NICKEL OVER .000050 MIN. COPPER  
 ALL OTHER METAL PARTS: .000003 MIN. GOLD OVER .000050 MIN. NICKEL OVER .000050 MIN. COPPER

3. COVER SHIPPED LOOSE.

REV	DESCRIPTION	BY DATE	APPD
A	ER057283	SL/20/10 lf	SK



CATALOG P/N: 2021D504-405

PER ASME Y14.5M-1994 UNLESS OTHERWISE SPECIFIED, DIMENSIONS ARE IN INCHES (MM) TOLERANCES: DECIMAL: .XX [XX] ± .01 [0.3] XXX [XXX] ± .005 [0.13] XXXX [XXXX] ± .000X ANGLES: ± 2°                      SCALE: 12:1				 by WINCHESTER ELECTRONICS Winchester Electronics Corporation 199 Park Road Ext Suite 104 Middlebury, Connecticut, 06762
CUSTOMER SALES DRAWING		THIRD ANGLE 	SMP RA DIRECT SOLDER PLUG	
DRAWN	DATE	APPROVED	DATE	
J	03/16/2015	SK	04/15/2016	
APPROVED	DATE	APPROVED	DATE	
XXX	XX/XX/XX	XXX	XX/XX/XX	

A	SD2021D504-405	SHT	OF	REV
		1	1	A