

Features

- Provides On/Off operation with precise control of water volume and intensity
- Single-handle operation
- 28.0 gpm flow rate at 45 psi (3.1 bar)
- 3/4" female NPT connections
- Ideal for use with Kohler thermostatic mixing valves
- Quarter-turn operation with ceramic disc cartridge
- Requires volume control valve trim (sold separately)

Material

- Forged dezincification-resistant brass body provides long term reliability and resistance to aggressive water conditions

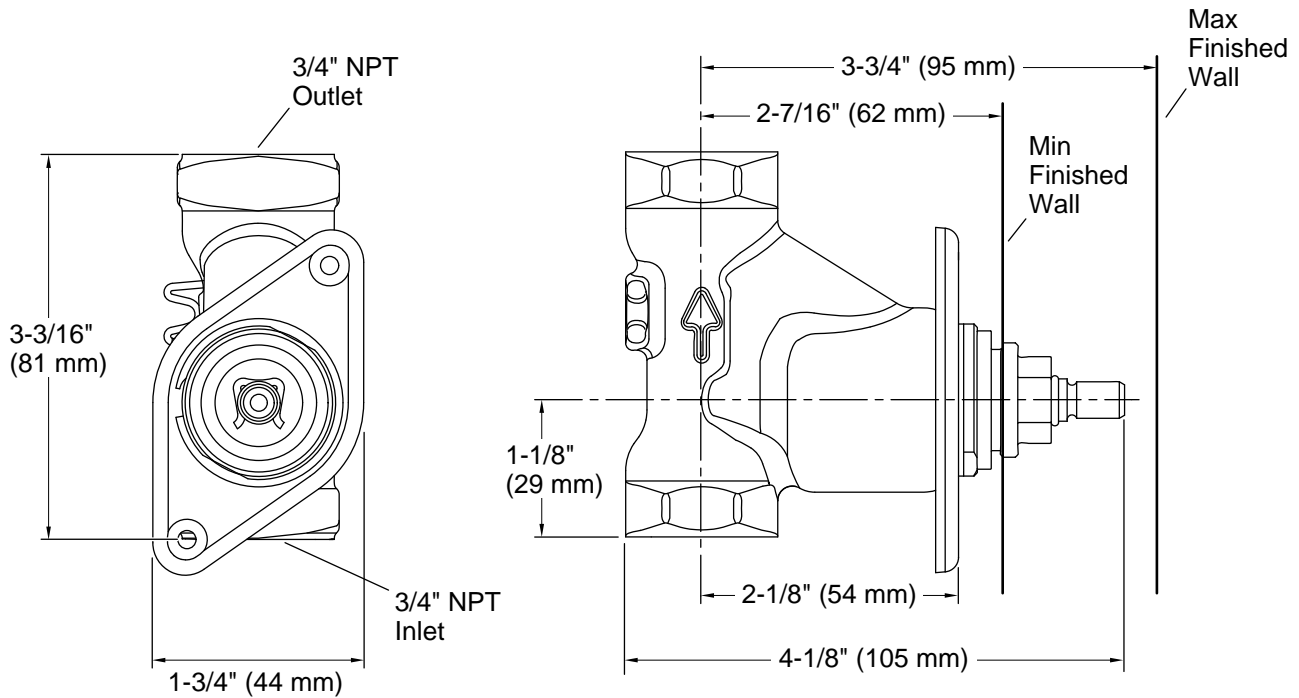


Codes/Standards

ASME A112.18.1/CSA B125.1
IAPMO Certification

KOHLER® Faucet Lifetime Limited Warranty

See website for detailed warranty information.



Technical Information

All product dimensions are nominal.

Handshower:

Rated maximum flow: 0 gal/min (0 l/min)

Notes

Install this product according to the installation guide.