

User's Manual

HIR9BGTA

**UNIVERSAL HEADREST
WITH PRE-INSTALLED
9" (229mm) WIDESCREEN
TFT VIDEO MONITOR**

**WITH BUILT-IN DVD PLAYER AND
FEATURING USB AND
SD/MMC CARD PORTS**

HIR9BGTA

**UNIVERSAL HEADREST WITH
PRE-INSTALLED 9" (229mm)
WIDESCREEN TFT VIDEO MONITOR**

**WITH BUILT-IN DVD PLAYER AND FEATURING
USB PORT AND SD/MMC CARD PORT**

01.2012



tech support: www.bossaudio.com/support

BOSS[®]
AUDIO SYSTEMS

BOSS Audio Systems
3451 Lunar Court • Oxnard, CA 93030

www.bossaudio.com

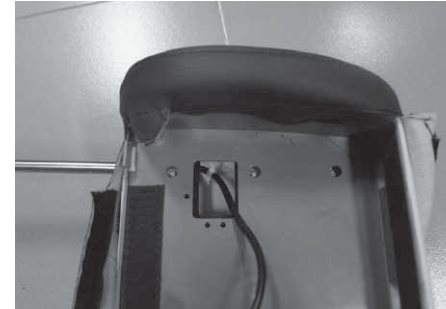
800.999.1236

BOSS[®]
AUDIO SYSTEMS

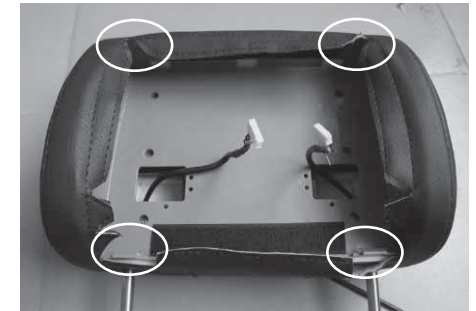
DVD CONTENTS

1. DVD Features	2
2. Front Panel Controls	3
3. Installation	4
4. Remote Control Operation	6
5. OSD Operation	7
6. DVD Operation	8
7. Disc Compatibility	9
8. Handling Discs	9
9. Safety Precautions	10
10. Troubleshooting	11
11. Technical Specifications	12
12. leather change instruction	13

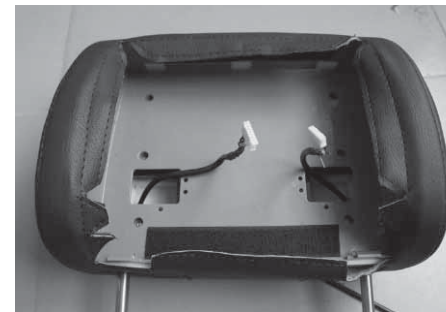
leather change instruction



STEP 7: Slide on the edges of the leather cover from left to right.



STEP 8: Make sure the leather covers all headrest cushion areas after the cover is set in place.



STEP 9: Secure all the edges of leather cover by pressing firmly on the Velcro areas.

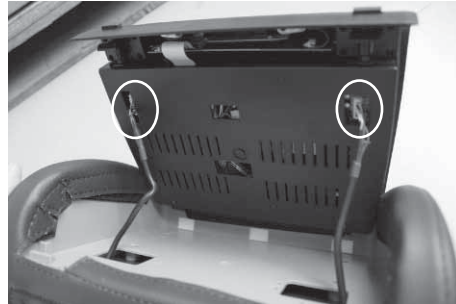


STEP 10: Connect the two cables and reassemble.

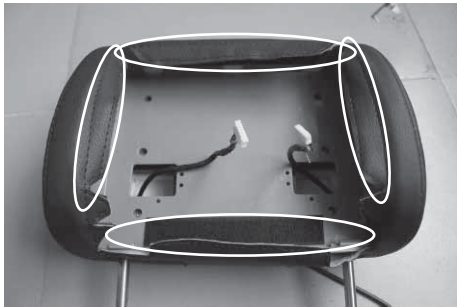
leather change instruction



STEP 1: Press the two buttons on the bottom of the headrest firmly.



STEP 2: Disconnect the connecting cables.



STEP 3: Pull out the 4 edges of the leather cover held by Velcro.



STEP 4: Once the edges are loosen, remove the leather cover beginning on one end and moving on to the other.



STEP 5: Flip the new desired leather cover inside out.

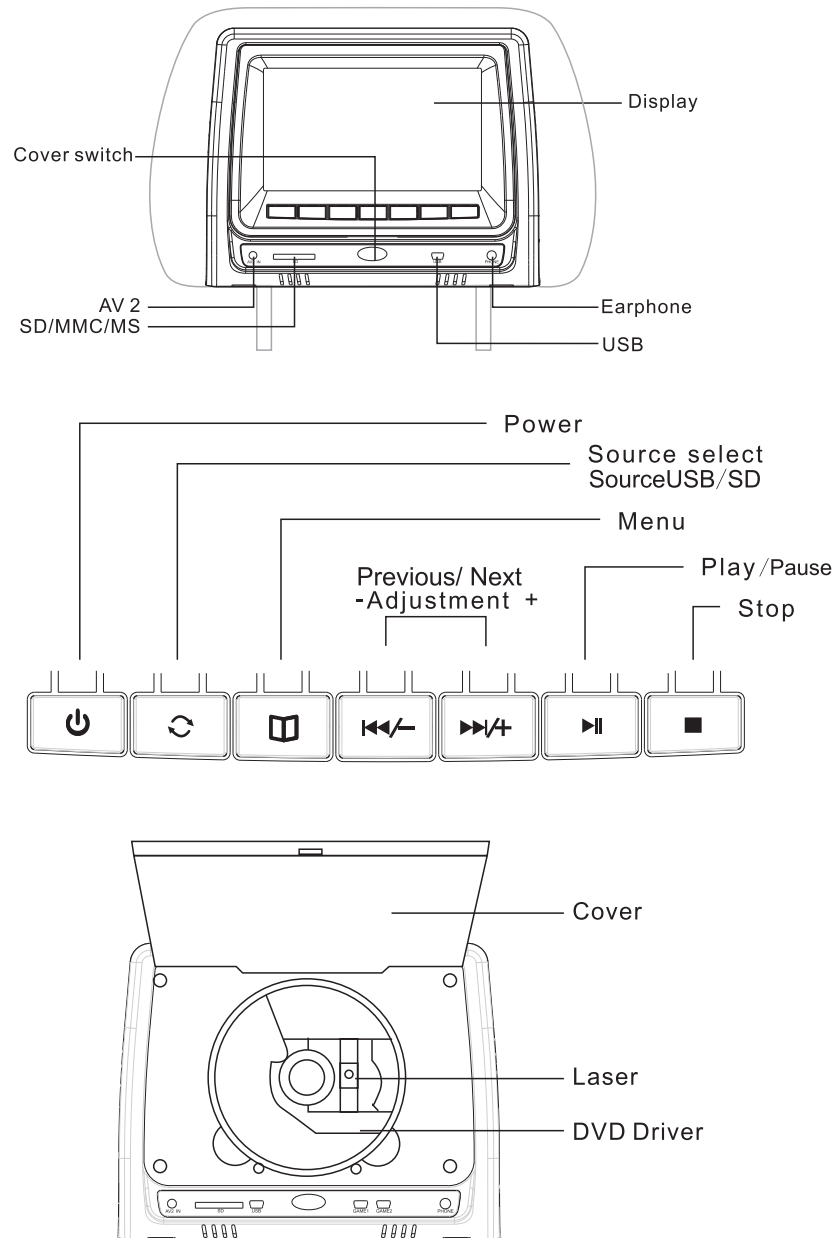


STEP 6: Slide the 2 metal poles through the two openings on the reversed leather cover.

DVD Features:

- Built-in DVD Player compatible with DVD/VCD/MP3/MP4/CD-R/CD-RW/DIVX
- LED backlit panels for exceptional picture quality, high efficiency and long life
- Cover colors easily interchangeable between black, grey and tan to match vehicle interior (all 3 colors included)
- Pole distance adjustable from 4"-7" apart for universal fit
- Free tilt mechanism allows for adjustment to optimal viewing angle
- Mini USB port and SD/MMC card slot for music, image and video files
- Automatically selects PAL/NTSC system
- Front 3.5 mm jack for headphones
- 2 A/V inputs
 - One 3.5 mm front input jack
 - One wired RCA input
- 1 A/V RCA output
- Wireless remote control
- Built-in dual-channel speaker
- Built-in FM transmitter
- Built-in dual channel IR transmitter
 - Ch A: 2.3MHz(left)-2.8MHz(right)
 - Ch B: 3.2MHz(left)-3.8MHz(right)
- 9"(16:9) TFT LCD display
- Resolution:800(H) X 3(RGB) X 480(W)
- Number of Pixels: 1,152,000
- Brightness: 400 cd/m²
- Power supply: DC +12V (10.6V-15.8V) .
- Power consumption: 12W
- Operating temperature:-10°C to +60°C.
- Dimensions: 11" x 6" x 14 ¾"
- Weight: 5.5 lbs.

Front Panel Controls



Technical Specifications

panel	TFT LCD
Screen size	9 Inches (16:9)
Pixel	800 X 3 (RGB) X 480
Temperature	Operation:14 °F ~ 122 °F; Storage:-22 °F ~167 °F
Back light	LED
Brightness	400 cd /m ²
Color system	PAL/NTSC
Playable discs	DVD、VCD、CD、MP3、CR-R、CD-RW、DVD-R、DVD-RW、
Resolution	≥500
S/N	≥90 dB
Isolation	≥65 dB
Audio Input/Output	1.6V±20%
Video Input/Output	1V p-p ±20%
Power supply	DC 12V
Power	≤ 12W
Product Dimensions	11" x 6" x 14 3/4"
Net weight	5.5lbs

Note:

The design and specifications are subject to change without notice .

Troubleshooting

Fault	Reason	Resolution
No power	Yellow wire should be connected to 12v + source; red wire should be connected to the ACC; black wire should be connected to the ground	Connect power correctly
	Fuse burned out	Change fuse
	Power cable is disconnected	Connect power correctly
No picture	No AV input	Input video
	Video lines disconnected	Reconnect video lines
Remote does not work	Battery is blocked by protective paper	Remove paper
	Pointed in wrong direction	Point remote to remote sensor
	No power	Change batteries
Can't play Disc	Bad disc	Replace disc
Distortion	Disc loaded incorrectly	Re-insert disc
	Disc is dirty	Clean disc
	Fast forward/backward	This is normal

Installation

First check to make sure the appearance and installation specifications match with the subject vehicle. Before you begin, choose the right accessories and right tools.

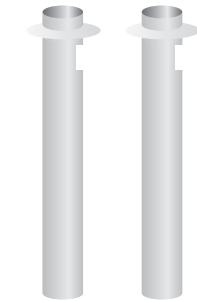
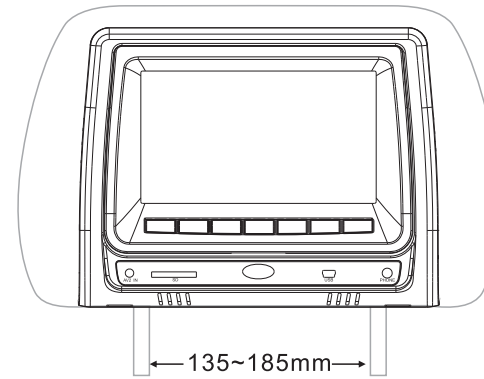
Installation steps:

Step 1. Remove original pillow

Step 2. Choose the correct installation steel tube size, to ensure proper fit.

Step 3. Connect the power cord and the Video cable.

Step 4. Properly position the pillow.



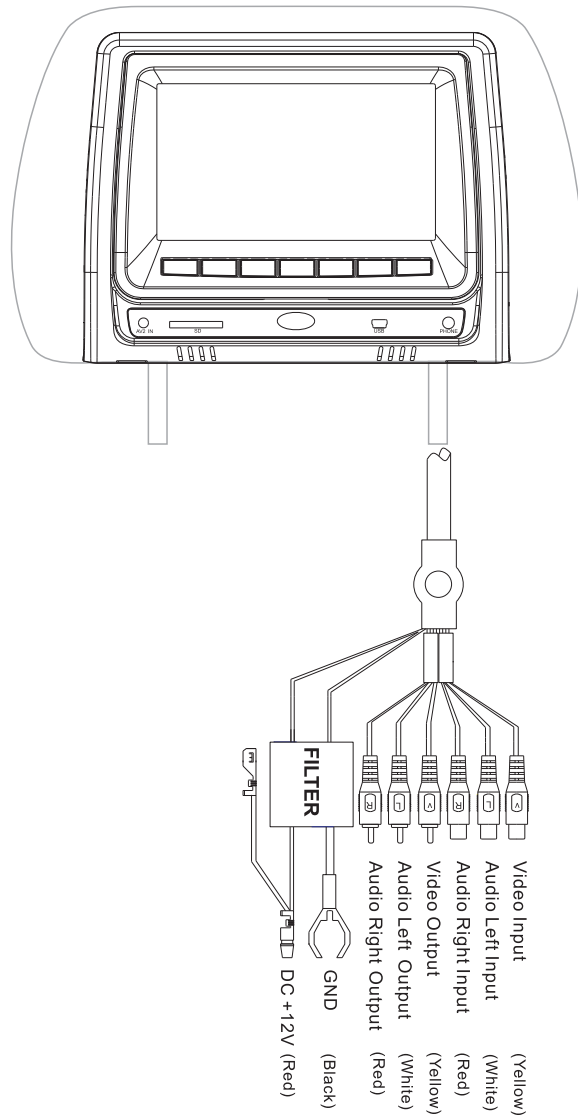
12mm steel tube

Note:

The appearance and installation specifications are not suited for all vehicles. Please choose the correct appearance and installation specifications.

Connecting Power Line	1
12mm diameter steel tube	2
Remote controller	1
User's manual	1

The headrest DVD player has an AV input port and an output. The input port can connect with other sources such as GPS, TV Box, Game TV-Box etc. The AV output port can connect to other displays.



Safety Precautions

- This device is designed to be operated with a DC 12V grounded system.
- Do not allow any foreign substance to get into the disc slot.
- The device may not work in high or low temperatures. Stop using the device until the temperature returns to a normal level. Operating temperature range: 14°F~122°F)

Cleaning

- When cleaning the device, do not make contact with water. The device may get damaged.
- Since chemical solvents may damage the surface of the unit, do not use them for cleaning.
- Use a clean and dry cloth to clean.

Condensation

- When turning the heater on in the car during a rainy or humid day, moisture may condense on the optical lens. If this occurs, the device may not read the disc and will not function properly. In such a case, it is advised to remove the disc from the device until the unit is dried.

Installation and Repairs

- Please install and operate the device as specified by this manual. If you cannot install the device correctly yourself, take it to an authorized dealer.
- Do not open the device by yourself for repairs. If the device does not work properly, take it to an authorized dealer. (If you disassemble the unit, you will void the warranty).

Video/Audio Trouble

- When driving on a rough road the unit is prone to severe shaking and may experience video/audio problems. This is inevitable.

Disc Compatibility

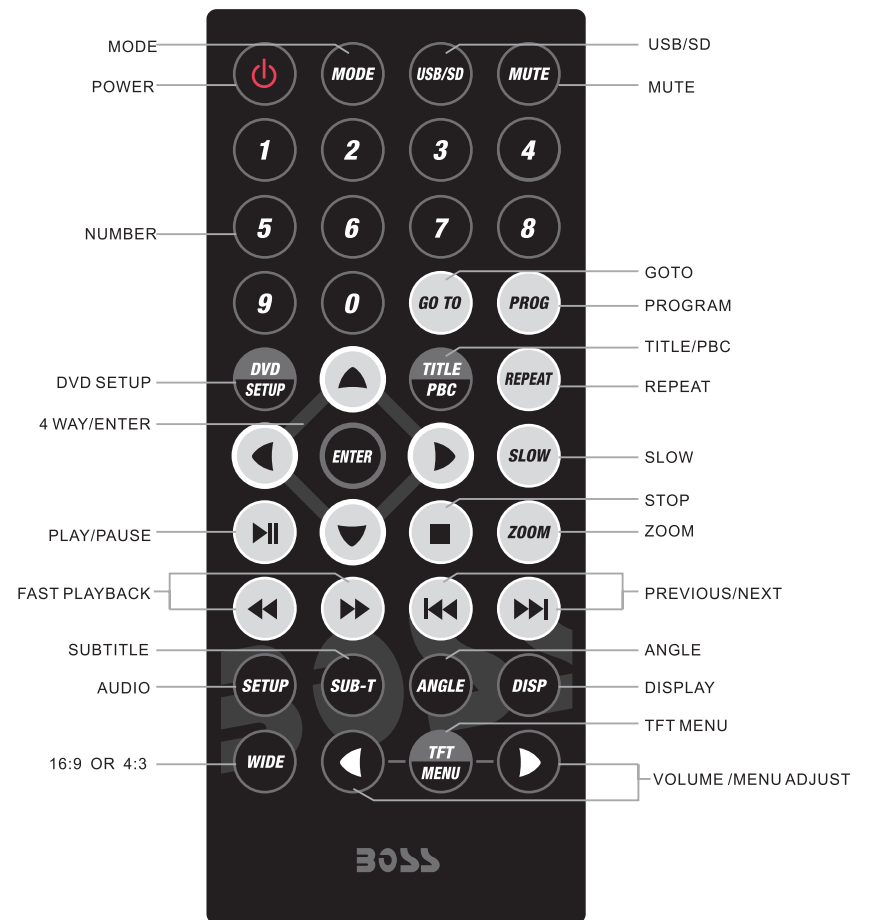
Disc type	DVD video	Video CD	Audio CD
Contents	Audio+ Video	Audio+ Video	Audio

Disc type	Disc size	Maximum playing time
Disc type	5 inches (12cm)	Approx. 133 minutes(SS/SL) Approx. 242 minutes(SS/DL) Approx. 266 minutes(DS/SL) Approx. 484 minutes(DS/DL) *SS:Single Sided ,DS:Double Sided, SL:Single Layer ,DL :Dual Layer
Video CD	5 inches (12cm)	Approx. 74 minutes
Audio CD	5 inches (12cm)	Approx. 74 minutes
CD-ROM	5 inches (12cm)	Mp3 : music file WAV: music file MPG: motion picture file VOB: DVD file JPG: picture file

Handling Discs

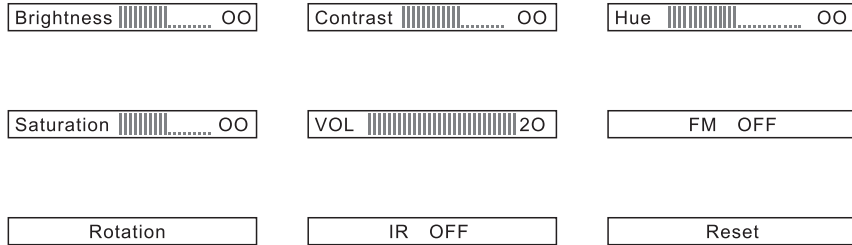
- Dust particles, scratches or twisting may cause sound disruption, poor sound quality or poor screen image during play.
- Use a soft cloth to gently clean fingerprints and dust on the data surface (polished side) of the disc
 - Never use anti-static spray or liquid, benzene, thinner or other chemical solvents to clean discs. Such chemical solvents may damage the plastic surface of the disc.
 - After playing discs, you are advised to place them inside their original cases to prevent any damage to them.
 - Do not expose discs to direct sunlight, high humidity or high temperatures for long periods of time. Discs may deform.
 - Do not write on the disc's signal surface. A sharp pen or ink may cause damage to the surface of the disc.
 - The sound quality may vary among discs depending on their recording methods.

Remote Control Operation



OSD Operation

- 1) Pressing "TFT MENU" key to enter menu below .
- 2) Press [<] [>] to adjust.



DVD Operation

- 1) Pressing "DVD SETUP" key to enter menu below .
- 2) Press [▲] [▼] to select an item.
- 3) Press [◀] [▶] to adjust.

