

ITEM# 85405/84405

Rounded End Small Spaces Corner
Computer Desk in Mixed Metal and Wood

Leick
Home
SINCE 1910

2219 S. 19th St.

Sheboygan, WI 53081


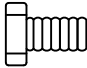

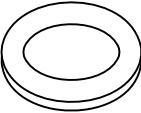

Ph: 800-558-8700

cs@todaysdesignhouse.com

📄 todaysdesignhouse.com 📱



Hardware List

Item	Description	Qty
a	 Long Bolt 1/4"×1 1/4"	2PCS
b	 Short Bolt 1/4"×5/8"	16PCS
c	 Allen wrench	1PC
d	 Flat Washer 1/4"×16mm	18PCS
e	 Lock Washer	18PCS

Parts List

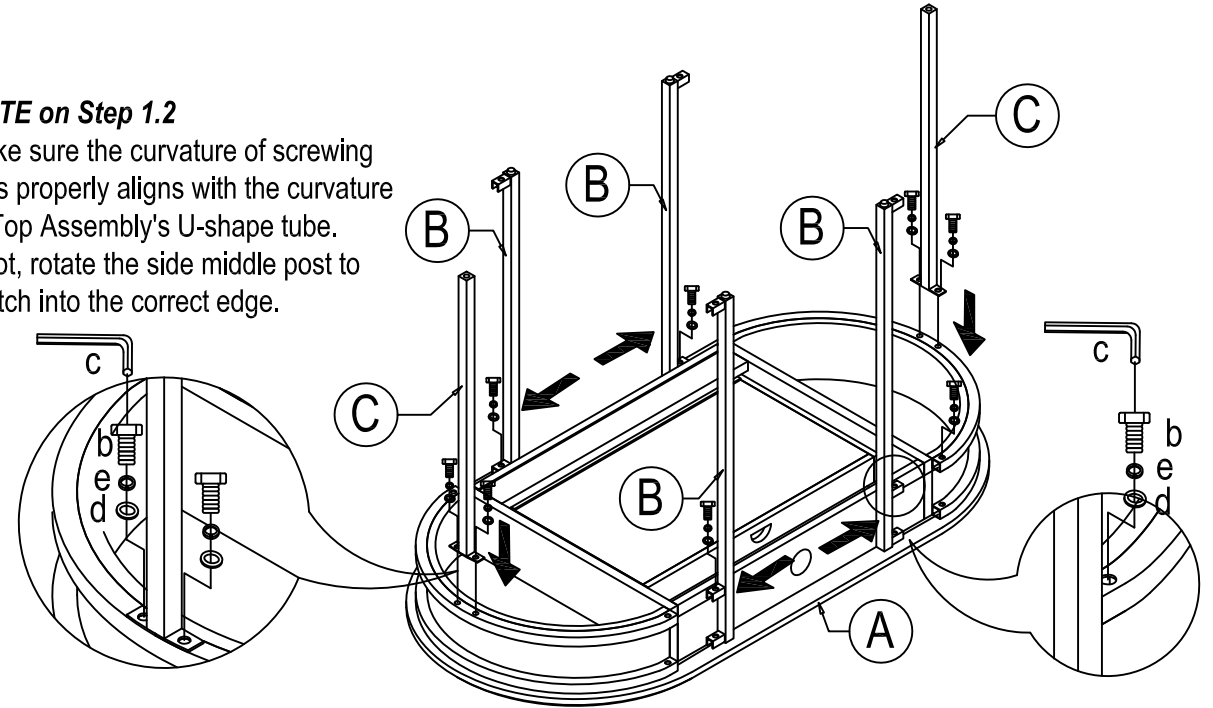
Item	Description	Qty
A	Top Assembly	1PC
B	Posts	4PCS
C	Side Middle Posts	2PCS
D	U shape tubes	2PCS

Assembly Instructions

Step 1

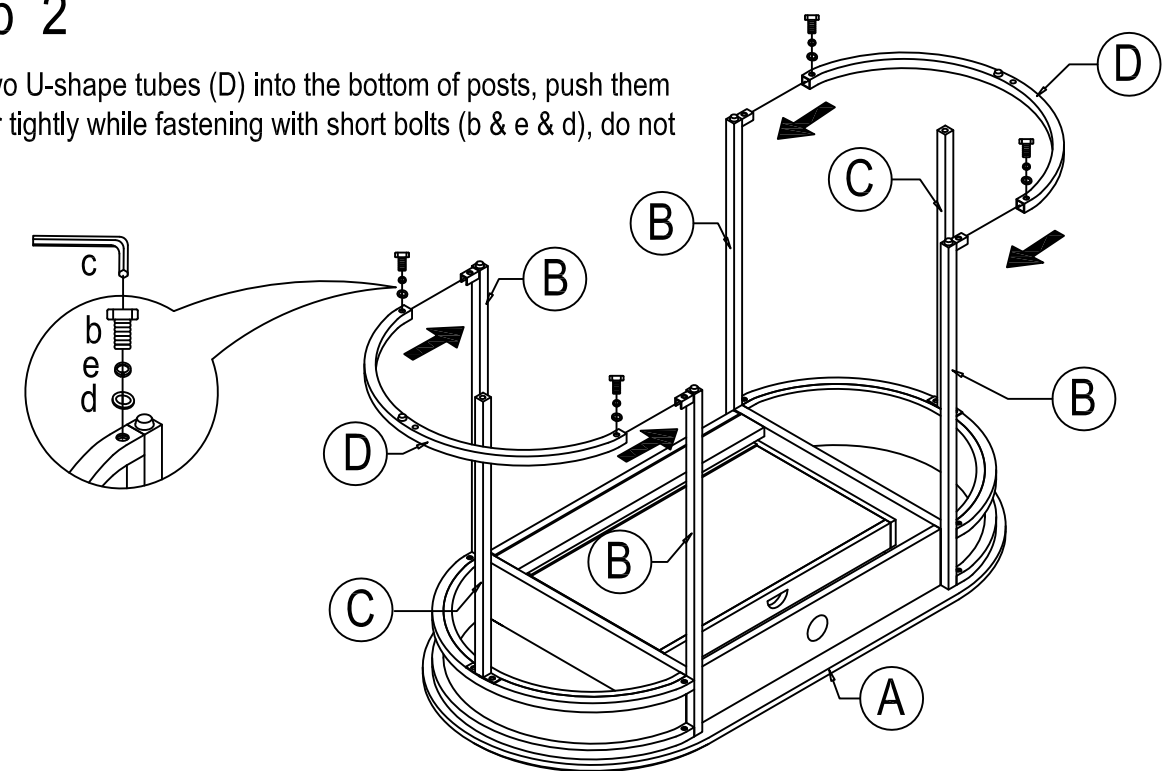
- 1.1 Insert four posts (B) onto the table side U-shape tubes, push them tightly to the posts while fastening with short bolts (b & e & d), do not tighten.
- 1.2 Fasten two side middle posts (C) in the middle of table side U tubes with short bolts, do not tighten.

NOTE on Step 1.2
 Make sure the curvature of screwing tabs properly aligns with the curvature of Top Assembly's U-shape tube. If not, rotate the side middle post to switch into the correct edge.



Step 2

Insert two U-shape tubes (D) into the bottom of posts, push them together tightly while fastening with short bolts (b & e & d), do not tighten.

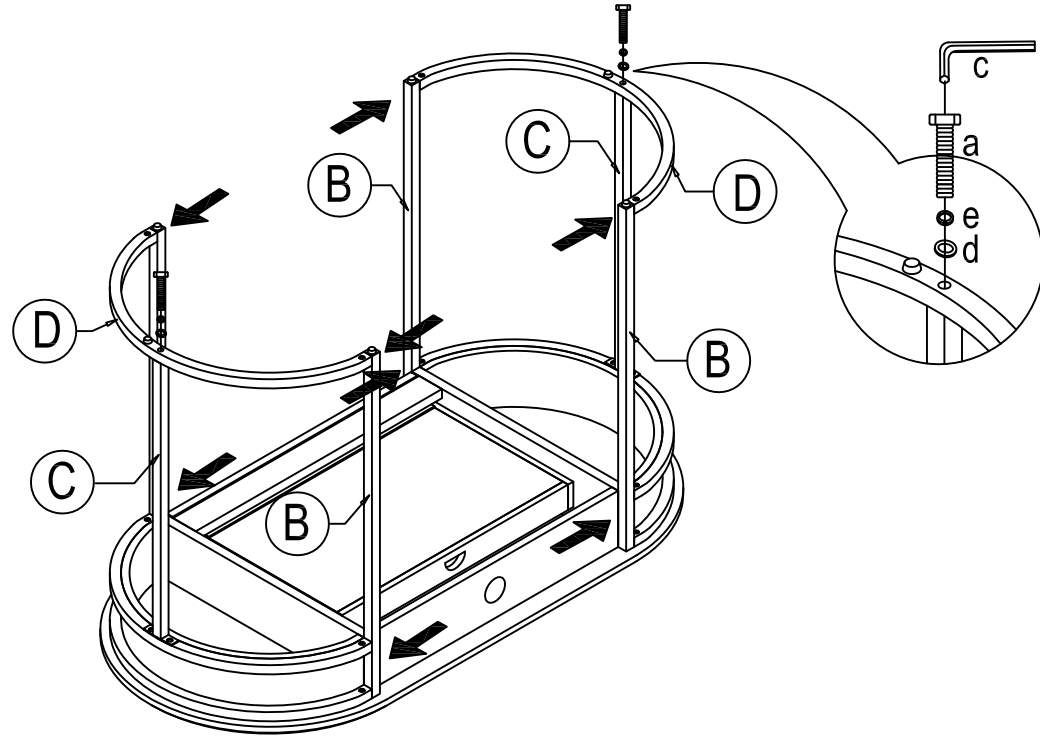


Assembly Instructions

Step 3

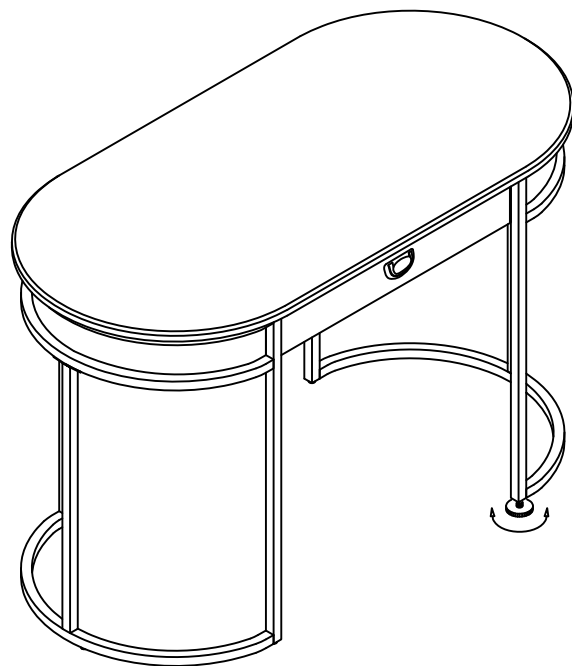
3.1 Fasten the U-shape tube (D) and side middle post (C) with long bolt (a & e & d). Do not tighten.

3.2 Check to make sure all joints are properly aligned and tighten all the bolts.



Step 4

Adjust the levelers on the bottom of legs if needed.



Wire management hole on back of desk: pull the disk out, run wires, and snap disk back in place.

