

Metropol
Single-Hole Faucet 230 with Lever Handle and Swivel Spout, 1.2 GPM
 Finishes : **brushed nickel** Part no. : **32511821**



Description

Features

- Swivel range 120°
- Aerated spray
- Flow: 1.2 GPM (4.5 L/Min)
- Ceramic cartridge
- Does not include: Pop-up assembly

Item details

List Price \$ 615.00

Technology



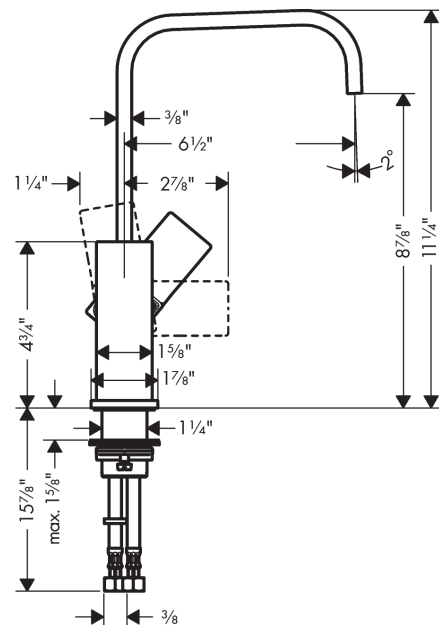
Compliance



Product image



Scale drawing

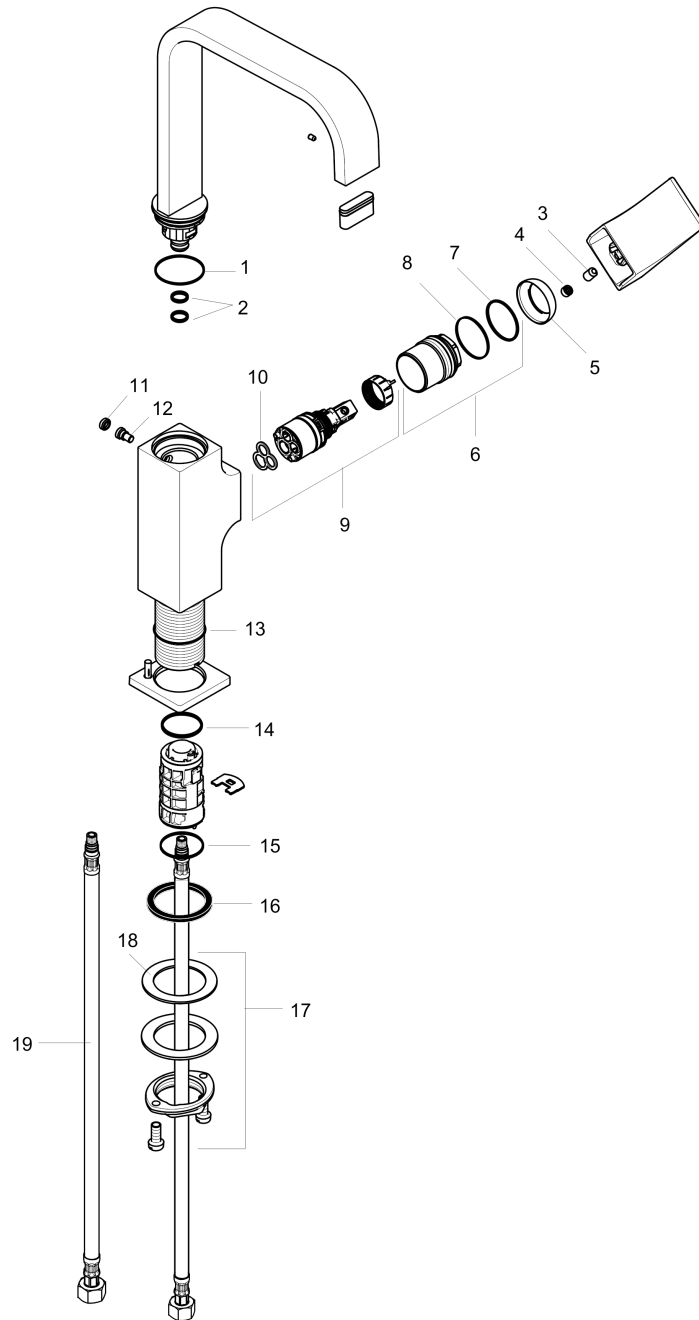


Metropol
Single-Hole Faucet 230 with Lever Handle and Swivel Spout, 1.2 GPM
 Finishes : **brushed nickel** Part no. : **32511821**



Exploded drawing

Year of production: >03/18



Metropol

Single-Hole Faucet 230 with Lever Handle and Swivel Spout, 1.2 GPM

Finishes : brushed nickel Part no. : 32511821



Spare parts list

Year of production: >03/18

Pos.	Description	Part no.	Price	PU
1	O-ring 30x1,5	98433000	-	1
2	O-ring 8x2	98112000	-	1
3	hollow set screw M6x10 DIN 916	96029000	-	1
4	screw cover	95704000	-	1
5	flange	95493820	-	1
6	nut	93086000	-	1
7	O-Ring 22x2	98185000	-	1
8	O-ring 27x1,5	92527000	-	1
9	cartridge, assy	95973001	-	1
10	seal	98865000	-	1
11	plug	93087000	-	1
12	screw	93088000	-	1
13	O-ring 32x1,5	92936000	-	1
14	O-ring 24x2	98388000	-	1
15	O-ring 26x1,5	98390000	-	1
16	flat seal	98749000	-	1
17	fixing set (Ø 32)	13961000	-	1
18	lever collar	97548000	-	1
19	connection hose 23½" M8x0,75 3/8"	98600001	-	1