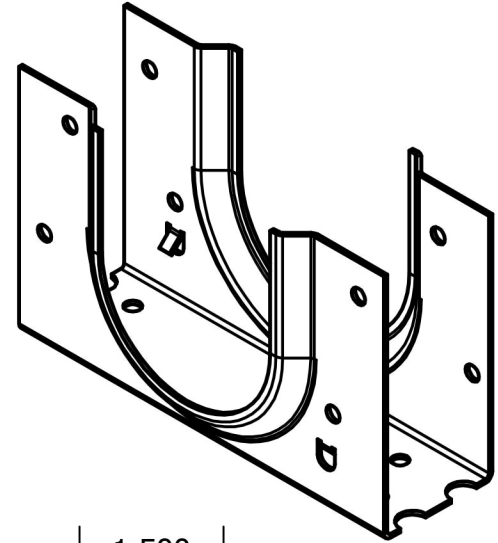
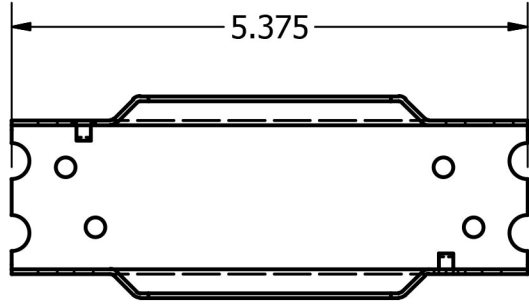
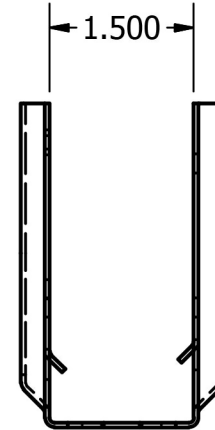
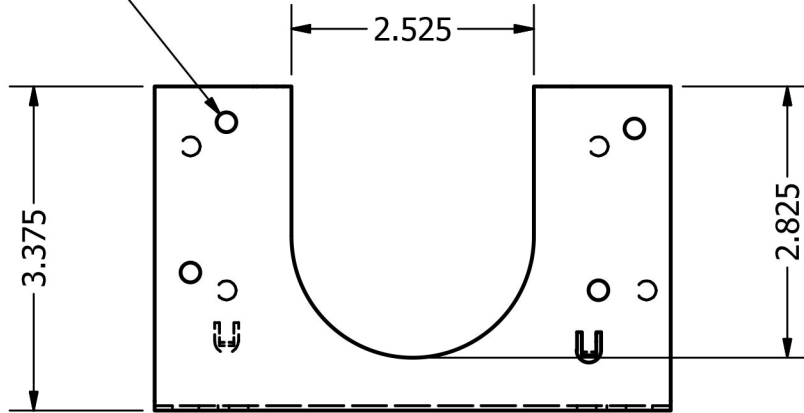


REVISION HISTORY

REV	DESCRIPTION	DATE
A	Released to Production	10/18/15



Ø.200 12 plc



UNLESS OTHERWISE SPECIFIED:	DRAWN	DLD	8/28/15
	CHECKED		
	QA		
	MFG	DLD	8/28/15
DIMENSIONS ARE INCHES TOLERANCES: FRACTIONAL +/- 1/8 ANGULAR: +/- 1 TWO PLACE: +/- .050 THREE PLACE +/- .015	APPROVED	Material	8/28/15
	Material	045-.057 Galvanized steel	
	Finish	Galvanized	
	Other		

PROPRIETARY AND CONFIDENTIAL  
THIS DRAWING IS THE  
SOLE PROPERTY OF DUNDEE  
MANUFACTURING COMPANY. ANY  
REPRODUCTION IN PART OR AS A  
WHOLE WITHOUT THE WRITTEN  
PERMISSION OF DUNDEE  
MANUFACTURING COMPANY IS  
PROHIBITED

TITLE			
18 GA Single Stud Shoe			
SIZE	REV DATE	DWG NO	REV
A	9/18/15	SS-18	A
SCALE		SHEET 1 OF 1	