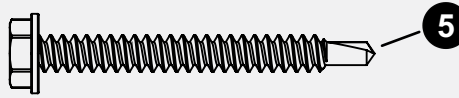


HARDWARE INCLUDED (ACTUAL SIZE)



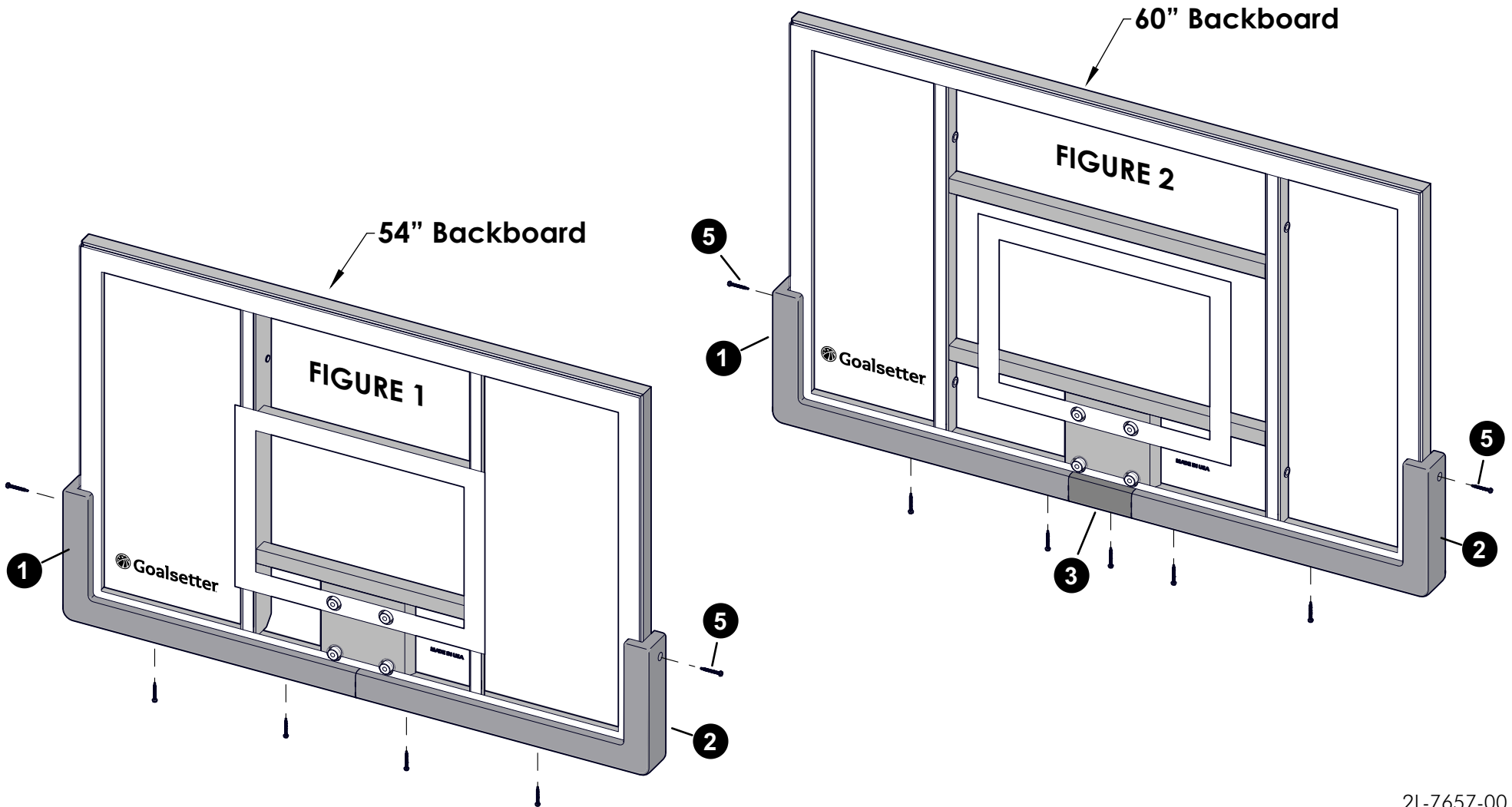
#10 X 1 3/4" SELF TAPPING SCREW
1B-6999-00

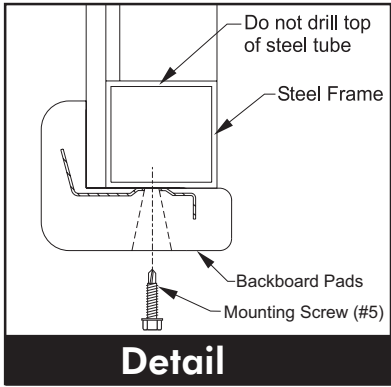
NOTE: If you have a 54" backboard see **Figure 1**.
If you have a 60" backboard see **Figure 2**.
If you have a 72" backboard see **Figure 3**.

TOOLS NEEDED

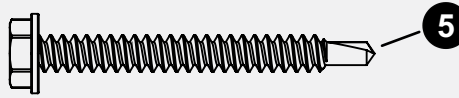


NOTE: Sometimes it may be necessary to pre-drill 9/64" pilot holes.



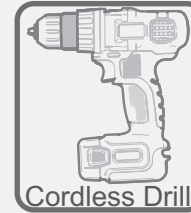


HARDWARE INCLUDED (ACTUAL SIZE)

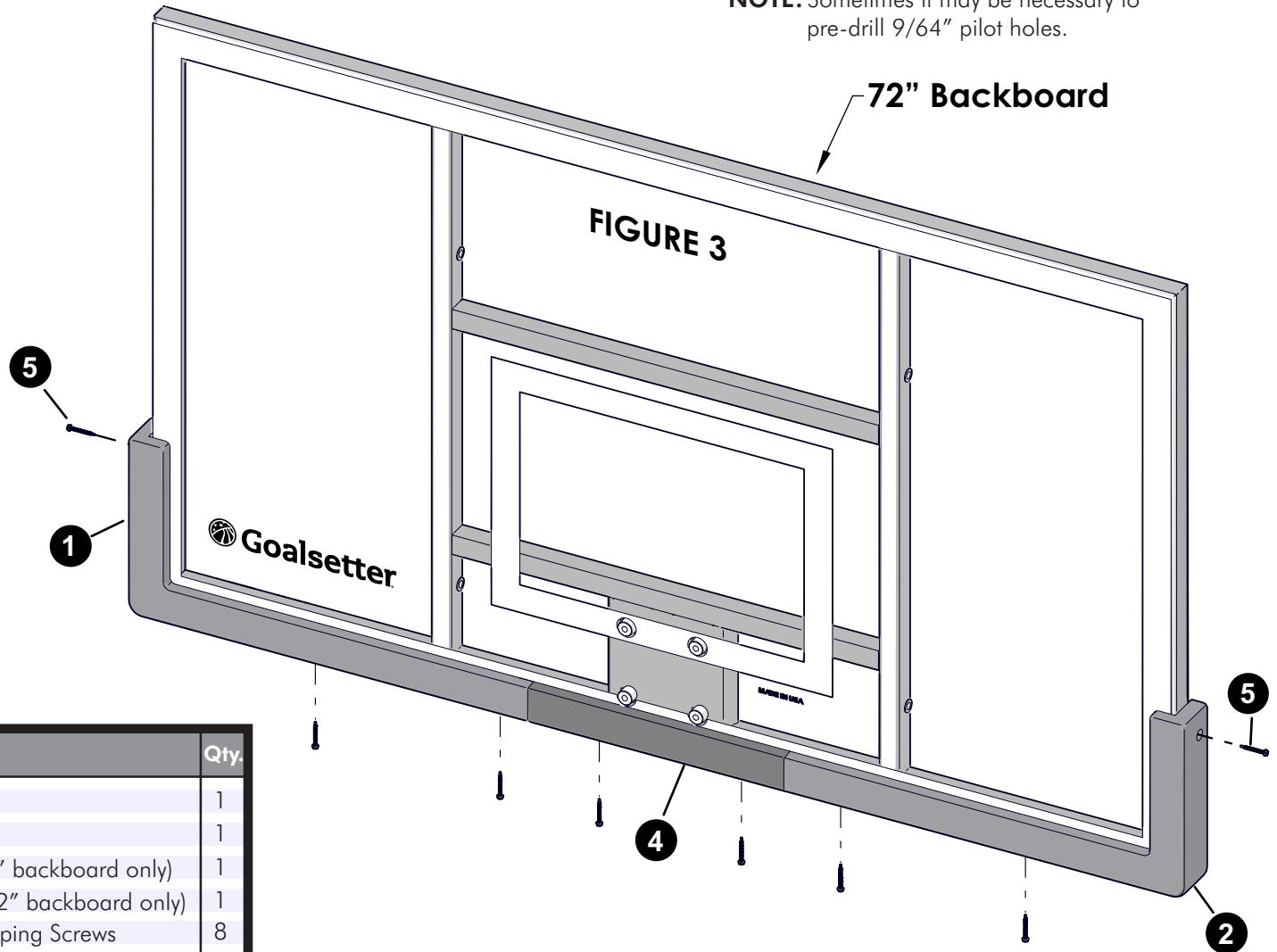


#10 X 1 3/4" SELF TAPPING SCREW
1B-6999-00

TOOLS NEEDED



NOTE: Sometimes it may be necessary to pre-drill 9/64" pilot holes.



Key#	Part #	Description	Qty.
1	3M-9062-00	Board Pad Left	1
2	3M-9063-00	Board Pad Right	1
3	3M-9065-00	6" Middle Section (60" backboard only)	1
4	3M-9066-00	18" Middle Section (72" backboard only)	1
5	1B-6999-00	#10 X 1 3/4" Self Tapping Screws	8

1 Year Limited- Padding Warranty: Padding shall be free from defects in materials and workmanship from the date of purchase.