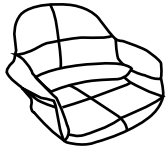
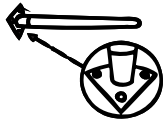


Parts Listing

A



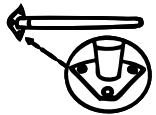
B



FRONT LEGS
(SHARP SHAPE)

x2

C



REAR LEGS
(TRAPEZOID SHARP)

x2

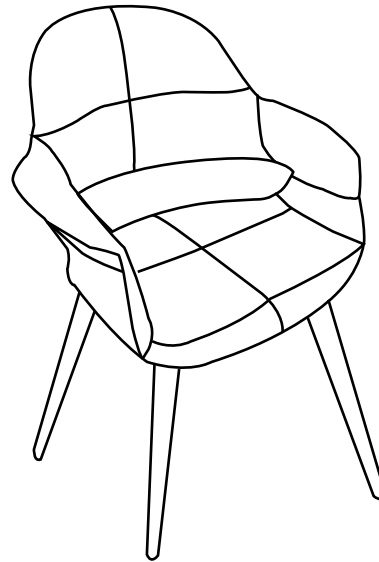
D



(M6*20MM)

x12

E



Assembly Instructions



Tools Needed: Allen Wrench (provided)

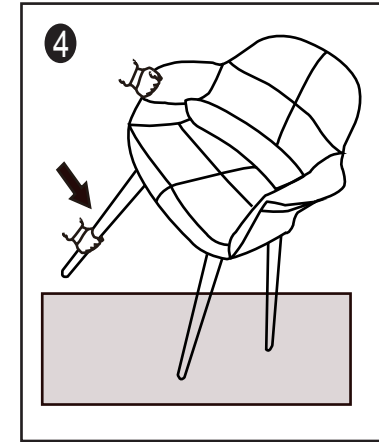
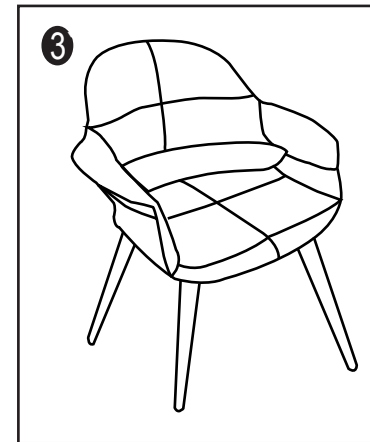
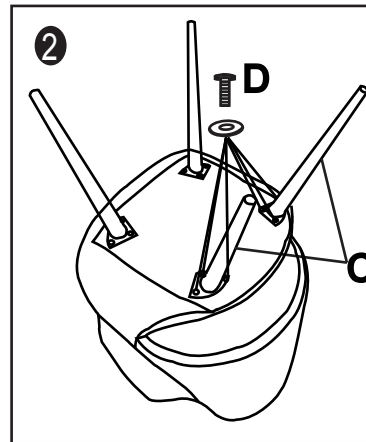
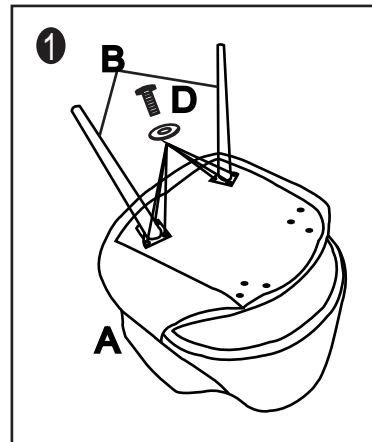
Please read all instructions before assembly.

Step 1: Use Allen Wrench (E) to tighten 2 Legs (B) to Front Screw holes in Seat (A) with 6 Screws and washers (D).

Step 2: Use Allen Wrench (E) to tighten 2 Legs (C) to Back Screw holes in Seat (A) with 6 Screws and washers (D).

Step 3: The Assembly of the Chair is finished. Tighten All Screws on previous steps with Allen Wrench (H).

Step 4: Place chair on a flat level surface to ensure it is level. If the Chair is uneven, slightly pressing the uneven legs and the diagonal legs to make it level.



WEIGHT CAPACITY: 250 lbs.

Assembly Notes:

During assembly, hand tighten screws only. When all screws are in place, you may then tighten all screws completely.

CAUTION:

1. Do not use this chair as a step ladder.
2. Check for loose screws and tighten them every 6 months.

161 Tradition Trail, Holly Springs, NC, 27540
 800-520-7471 (voice) 919-362-4765 (fax)
 919-303-6389 (voice) www.ofminc.com
 support@ofminc.com