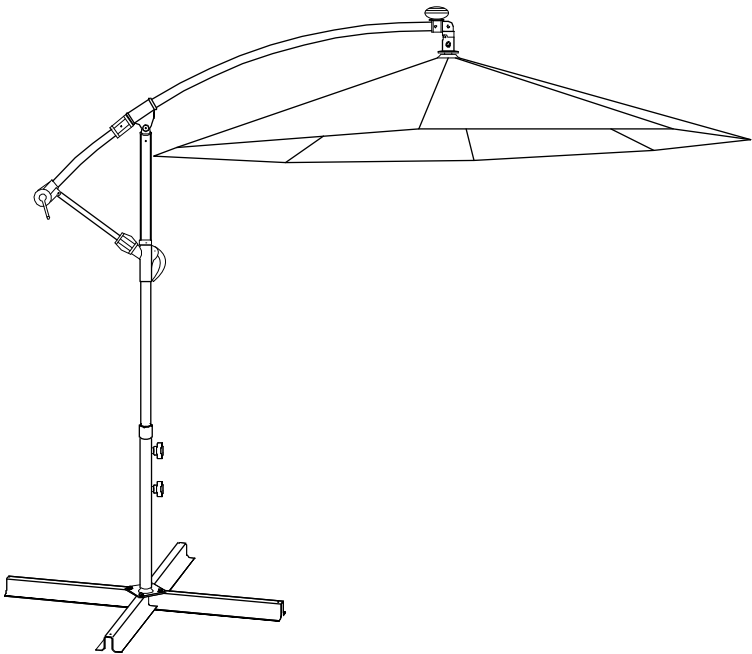


INSTRUCTION MANUAL



**10 Ft. Cantilever Hanging Patio Umbrella
With Solar LED
SKU: OS3002**

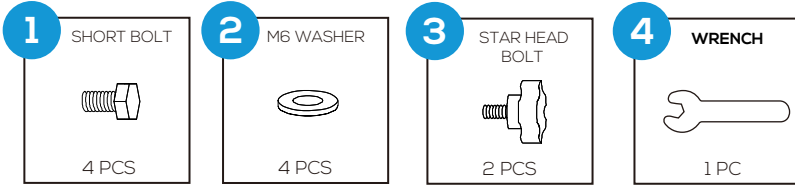
! CARE & MAINTENANCE

- △ Clean with lukewarm water, mild detergent & Sponge.
- △ Wipe down the pole with damp cloth.
- △ Store in a location when not in use.

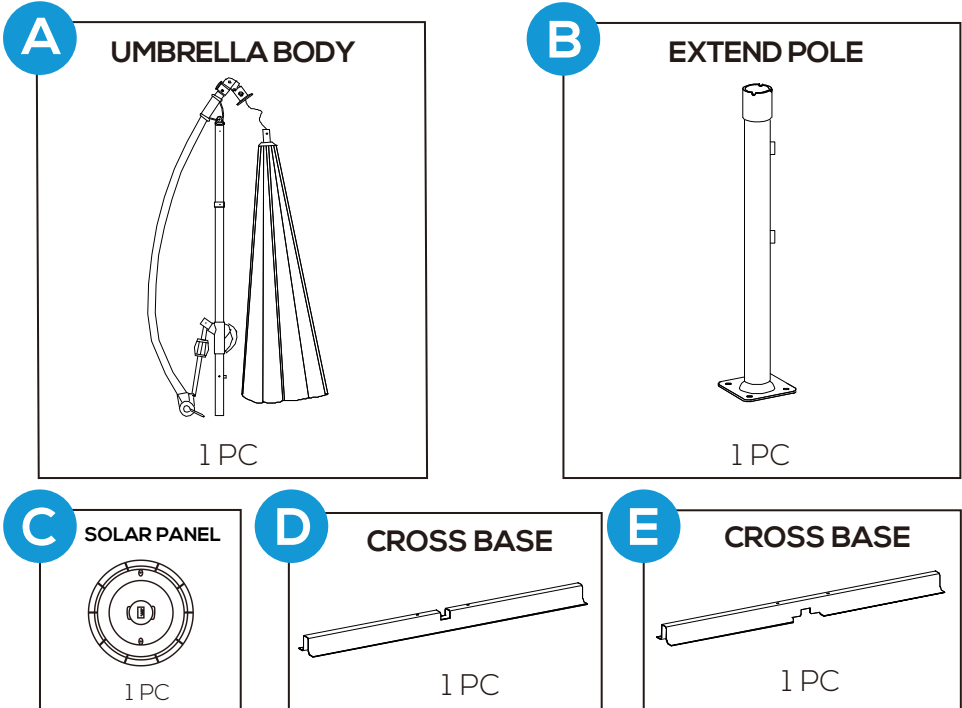
! SAFETY PRECAUTIONS

- △ Store the umbrella in windy or stormy weather.
- △ Do not use or store this item in the proximity of open flame or flammable/combustible chemicals.
- △ Do not allow umbrella to flap in the wind as it may cause damage.
- △ When adjusting umbrella, make sure no person or item is close to avoid injury or damage.

HARDWARE



PARTS



Attention: Part C Solar Panel is packed separately in the white box.

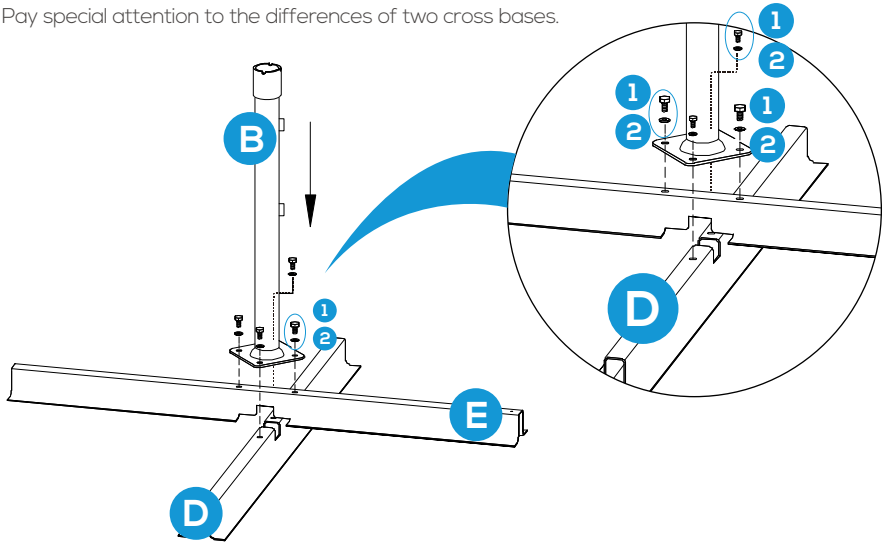
PRODUCT ASSEMBLY

1

Place part D and E Cross Base as below and attach part B Extend Pole to part E Cross Base with 2 PCS of part 1 bolt and part 2 washer.

Then attach part B Extend Pole to part D Cross Base with 2 PCS of part 1 bolt and part 2 washer.

Pay special attention to the differences of two cross bases.

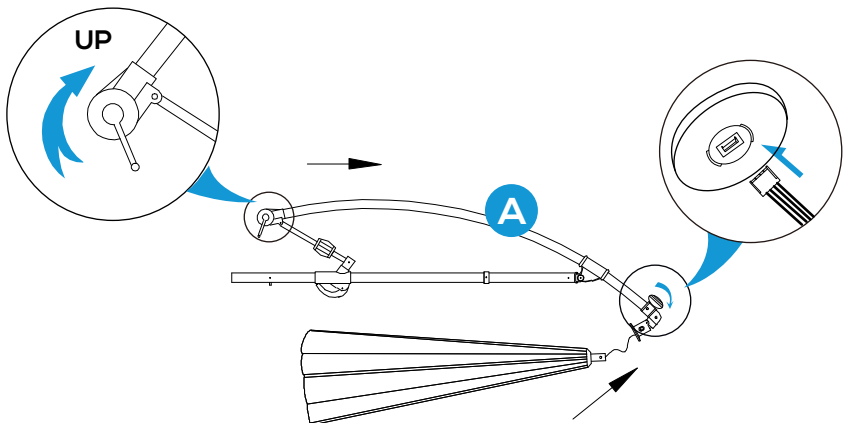


2

Turn the crank at the end of supporting pole clockwise to pull the umbrella up to the top socket.

Plug the white cable end into the Solar Panel and turn clock-wise to attach the solar panel.

Now you can pull up the umbrella body upward.



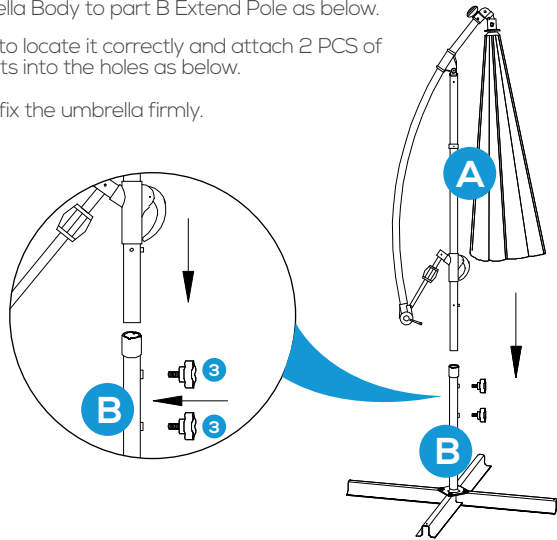
PRODUCT ASSEMBLY

3

Attach part A Umbrella Body to part B Extend Pole as below.

Turn the pole a little to locate it correctly and attach 2 PCS of part 3 star-head bolts into the holes as below.

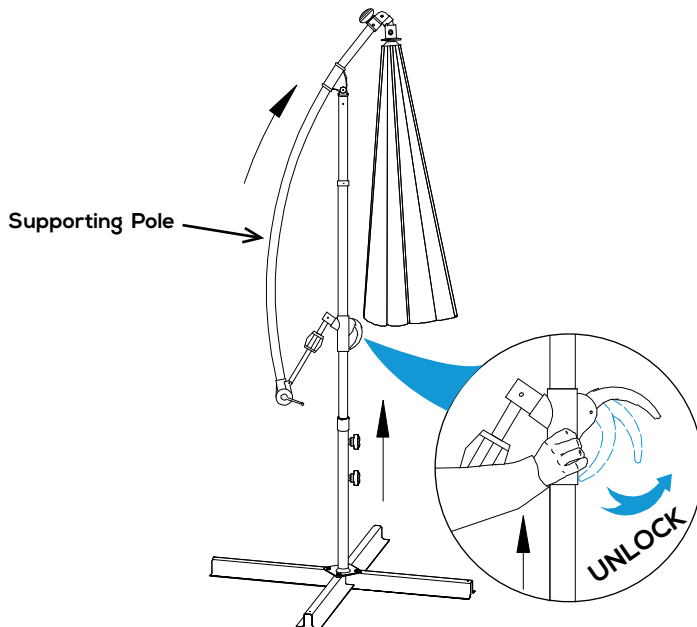
Tighten two bolts to fix the umbrella firmly.



4

Unlock the adjusting handle and adjust the supporting pole up and down to a suitable position by pushing the handle upwards or downwards as below.

△ Hold the umbrella supporting pole when adjusting to avoid any injury or damage.

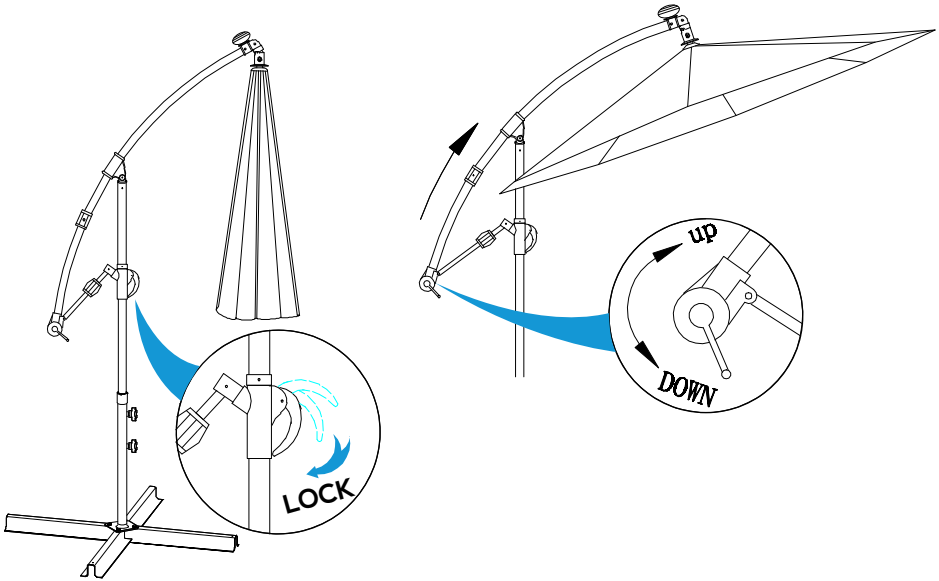


PRODUCT ASSEMBLY

5

Lock down the adjusting handle when the umbrella supporting pole is in a suitable position as below.

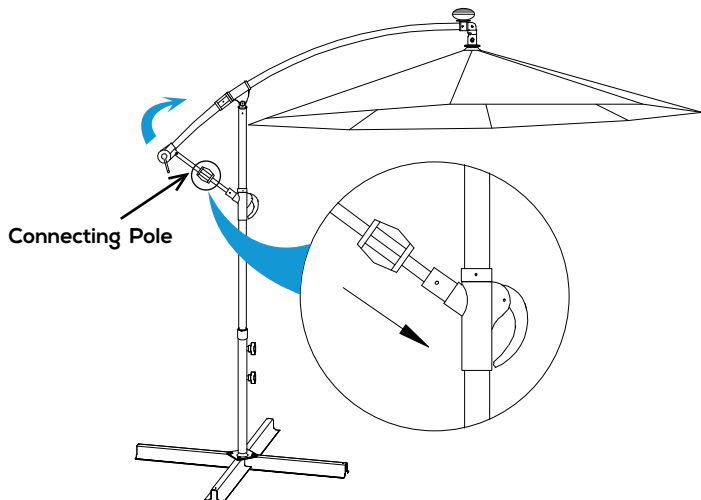
Turn the crank at the end of supporting pole clockwise to open the umbrella while turn anti-clockwise to close the umbrella.



6

Push the supporting pole upward to make the connecting pole straight.

Pull the lock downward to fix the connecting pole firmly.

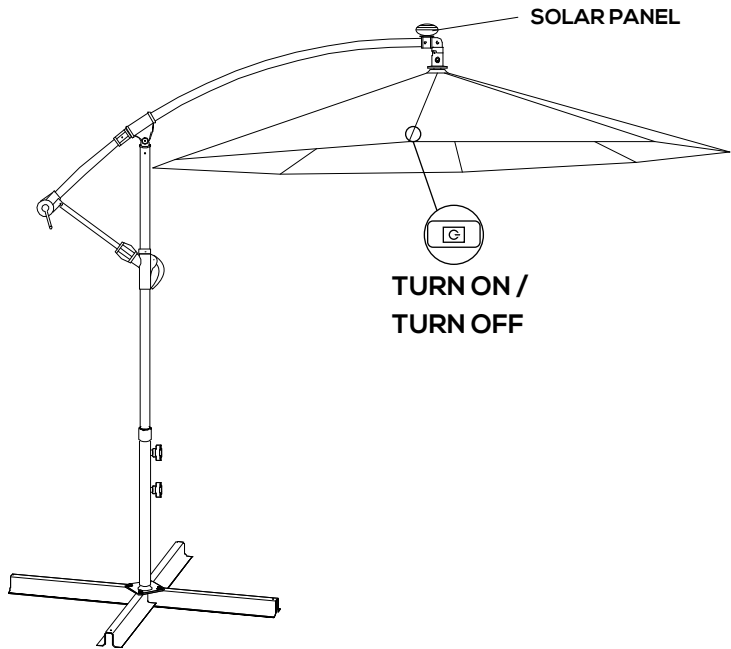


PRODUCT ASSEMBLY

7

Press the ON/OFF button to turn on or turn off the LED light.

Now enjoy your time.



ATTENTION:

- You must charge batteries before first use.
- Please note that batteries can discharge if they are left unused or uncharged for a long period of time. We recommend you charge your solar umbrella for at least 8 hours in direct sunlight before the first use. Failure to charge the batteries will result in premature dimming of the lights in your new solar umbrella.

MAKE SURE THE LIGHT SWITCH IS IN THE OFF POSITION WHEN CHARGING.

- For everyday normal use, turn on the light switch at nighttime when you want to use the solar light and turn off the light switch after every use.

MAKE SURE THE LIGHT SWITCH IS IN THE OFF POSITION IN THE DAYTIME FOR THE SOLAR PANEL TO RECHARGE THE BATTERIES.