


MSL/TMSL INSTALLATION INSTRUCTIONS

LED IMPORTANT SAFETY INSTRUCTIONS


**READ AND FOLLOW ALL SAFETY INSTRUCTIONS!
SAVE THESE INSTRUCTIONS AND DELIVER TO OWNER AFTER INSTALLATION**

- To reduce the risk of death, personal injury or property damage from fire, electric shock, falling parts, cuts/abrasions, and other hazards please read all warnings and instructions included with and on the fixture box and all fixture labels.
- Before installing, servicing, or performing routine maintenance upon this equipment, follow these general precautions.
- Installation and service of luminaires should be performed by a **qualified licensed electrician**.
- Maintenance of the luminaires should be performed by person(s) familiar with the luminaires' construction and operation and any hazards involved. Regular fixture maintenance programs are recommended.
- It will occasionally be necessary to clean the outside of the refractor/lens. Frequency of cleaning will depend on ambient dirt level and minimum light output which is acceptable to user. Refractor/lens should be washed in a solution of warm water and any mild, non-abrasive household detergent, rinsed with clean water and wiped dry. Should optical assembly become dirty on the inside, wipe refractor/lens and clean in above manner, replacing damaged gaskets as necessary.
- **DO NOT INSTALL DAMAGED PRODUCT!** This luminaire has been properly packed so that no parts should have been damaged during transit. Inspect to confirm. Any part damaged or broken during or after assembly should be replaced.
- Recycle: For information on how to recycle LED electronic products, please visit www.epa.gov.
- These instructions do not purport to cover all details or variations in equipment nor to provide every possible contingency to meet in connection with installation, operation, or maintenance. Should further information be desired or should particular problems arise which are not covered sufficiently for the purchaser's or owner's purposes, this matter should be referred to Acuity Brands Lighting, Inc.




WARNING
RISK OF ELECTRIC SHOCK

- ✓ Disconnect or turn off power before installation or servicing.
- ✓ Verify that supply voltage is correct by comparing it with the luminaire label information.
- ✓ Make all electrical and grounded connections in accordance with the National Electrical Code (NEC) and any applicable local code requirements.
- ✓ All wiring connections should be capped with UL approved recognized wire connectors.




WARNING
RISK OF BURN

- ✓ Allow lamp/fixture to cool before handling. Do not touch enclosure or light source.
- ✓ Do not exceed maximum wattage marked on luminaire label.
- ✓ Follow all manufacturer's warnings, recommendations and restrictions for: driver type, burning position, mounting locations/methods, replacement and recycling.



CAUTION
RISK OF INJURY

- ✓ Wear gloves and safety glasses at all times when removing luminaire from carton, installing, servicing or performing maintenance.
- ✓ Avoid direct eye exposure to the light source while it is on.



CAUTION
RISK OF FIRE

- ✓ Keep combustible and other materials that can burn, away from lamp/lens.
- ✓ Do not operate in close proximity to persons, combustible materials or substances affected by heat or drying.

MSL/TMSL INSTALLATION INSTRUCTIONS

LED IMPORTANT SAFETY INSTRUCTIONS



CAUTION: RISK OF PRODUCT DAMAGE

- ✓ Never connect components under load.
- ✓ Do not mount or support these fixtures in a manner that can cut the outer jacket or damage wire insulation.
- ✓ Unless individual product specifications deem otherwise: Never connect an LED product directly to a dimmer packs, occupancy sensors, timing devices, or other related control devices. LED fixtures must be powered directly off a switched circuit.
- ✓ Unless individual product specifications deem otherwise: Do not restrict fixture ventilation. Allow for some volume of airspace around fixture. Avoid covering LED fixtures with insulation, foam, or other material that will prevent convection or conduction cooling.
- ✓ Unless individual product specifications deem otherwise: Do not exceed fixtures maximum ambient temperature.
- ✓ Only use fixture in its intended location.
- ✓ LED products are Polarity Sensitive. Ensure proper Polarity before installation.
- ✓ Electrostatic Discharge (ESD): ESD can damage LED fixtures. Personal grounding equipment must be worn during all installation or servicing of the unit.
- ✓ Do not touch individual electrical components as this can cause ESD, shorten lamp life, or alter performance.
- ✓ Some components inside the fixture may not be serviceable. In the unlikely event your unit may require service, stop using the unit immediately and contact an ABL representative for assistance.
- ✓ Always read the fixtures complete installation instructions prior to installation for any additional fixture specific warnings.

Please see product specific installation instructions for additional warnings or any applicable FCC or other regulatory statements.

Failure to follow any of these instructions could void product warranties. For a complete listing of product Terms and Conditions, please visit www.acuitybrands.com.

Our Brands	Indoor/Outdoor Lithonia Lighting Carandini Holophane RELOC Light Concepts	Indoor Lighting Gotham Mark Architectural Lighting Peerless Renaissance Lighting Winona Lighting	Outdoor Lighting American Electric Lighting Antique Street Lamps Hydrel Tersen	Controls DARK TO LIGHT LC&D ROAM Sensor Switch Synergy	Daylighting SunOptics
-------------------	--	---	--	---	--------------------------

Acuity Brands Lighting, Inc. assumes no responsibility for claims arising out of improper or careless installation or handling of its products.

ABL LED General Warnings, Form No. 503.203

© 2010 Acuity Brands Lighting, Inc. All rights reserved. 12/01/10

IMPORTANT SAFEGUARDS

When using electrical equipment, basic safety precautions should always be followed including the following:

- a. **READ AND FOLLOW ALL SAFETY INSTRUCTIONS**
- b. Do not use outdoors
- c. Do not let power supply cords touch hot surfaces
- d. Do not mount near gas or electric heaters.
- e. Equipment should be mounted in locations and at heights where it will not readily be subjected to tampering by unauthorized personnel.
- f. The use of accessory equipment not recommended by the manufacturer may cause an unsafe condition.
- g. Do not use this equipment for other than intended use.

SAVE THESE INSTRUCTIONS

TMSL Emergency Fixtures are provided with 2 power inputs and may be connected to separate branch circuits during installation. Use caution when servicing.

MAXIMUM MOUNTING HEIGHT 36.9 FT.

SECTION 1: INSTALLATION

1. Disconnect all power to the existing luminaire and remove the existing luminaire from the ceiling. Inspect existing mounting location for damage before installing the new LED high bay in this location.
2. Remove new LED high bay from packaging and inspect for any damages. Handle new LED fixture with care. If damaged do not use; call your local rep for replacement.
CAUTION: do not remove protective wrapping around fixture until final building/inspection stage. Do not use this LED high bay as a work light during construction stage.
3. Decide on a hanging/mounting method that will work for your application, see hanging hardware devices in image below FIG 1. Make sure new LED fixture is securely mounted to the ceiling structure. We recommend using safety cables in areas that have high vibration, over head cranes and /or high air velocity. Also use cables where required by code.
4. Connect the LED high bay wiring to line wire, black-to-black, white-to-white and green-to-green. Use only UL listed wiring connectors 105C (or greater) and UL listed wiring (105C or greater).
5. For fixtures equipped with IMP (integrated modular plug), snap the optional cord with IMP at one end into the IMP plug on the access plate on the fixture. Make sure both plugs are fully snapped together before moving on to the next installation. Make sure cord set does not interfere with obstacle in ceiling and secure all extra/loose length.
6. Clean all residues/fingerprints from the new LED high bay and lens. Double check all hanging hardware before moving onto the next installation.

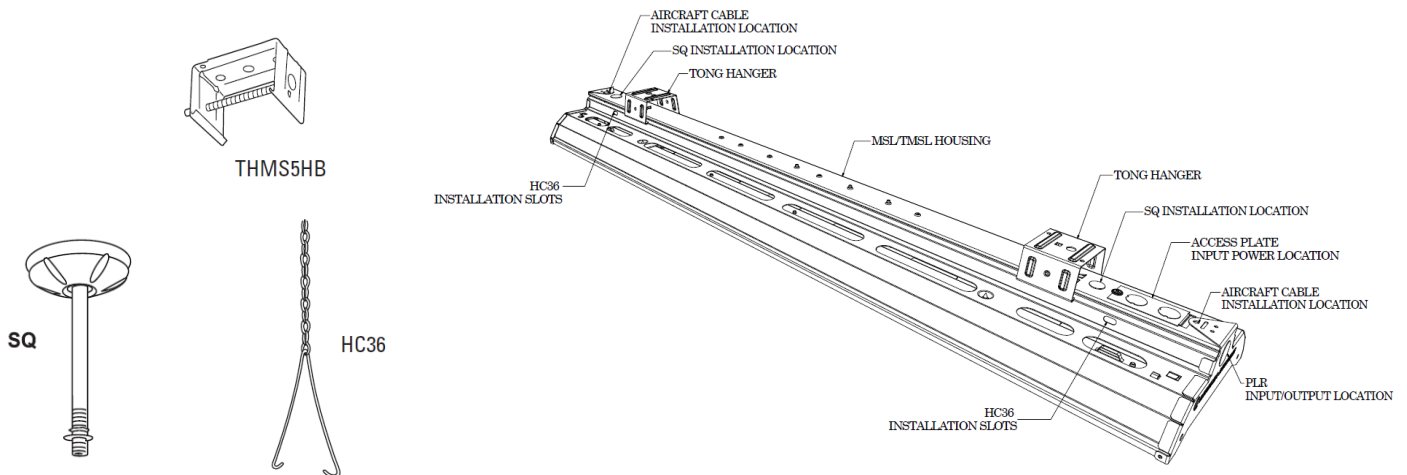


FIGURE 1

SECTION 2: ROW MOUNTING DETAIL

1. INSTALL FIXTURE NO.1 TO MOUNTING HANGERS.
SECURE FIXTURE BY TIGHTENING HANGER
HARDWARE
2. INSTALL FIXTURE NO.2 TO HANGERS AND TIGHTEN
HARDWARE ENOUGH TO ALLOW FIXTURE NO.2 TO
SLIDE ADJACENT TO FIXTURE NO.1 AND CONNECT
WIRING.
3. SLIDE FIXTURE NO.2 TO NO.1 SO THAT END PLATES
ARE FLUSH.
4. ALIGN SCREW HOLES AND INSTALL SCREWS IN
THROUGH THE LARGE HOLES, TAPPING INTO THE
SMALL HOLES AS SHOWN IN FIG 2.
5. TIGHTEN HANGER HARDWARE TO SECURE FIXTURE
NO.2
6. CLOSE OPEN ENDS WITH CATALOG NO. MS8PLG

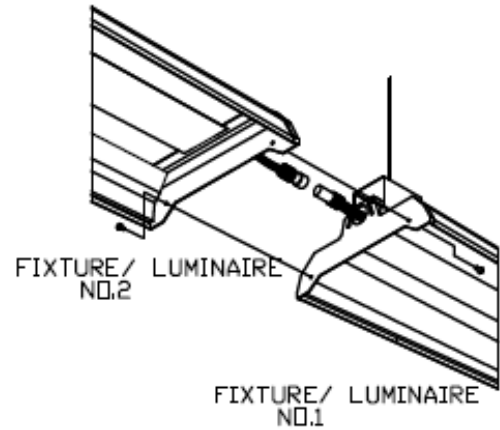


FIGURE 2

SECTION 3: SERVICING

1. Disconnect all power to the LED high bay being service.
2. Remove support screws to optical chamber and mounting brackets to gain into electronic compartment behind channel cover. SEE FIGURE 2
3. All service should be performed by a qualified licensed electrician. Use only UL listed components.

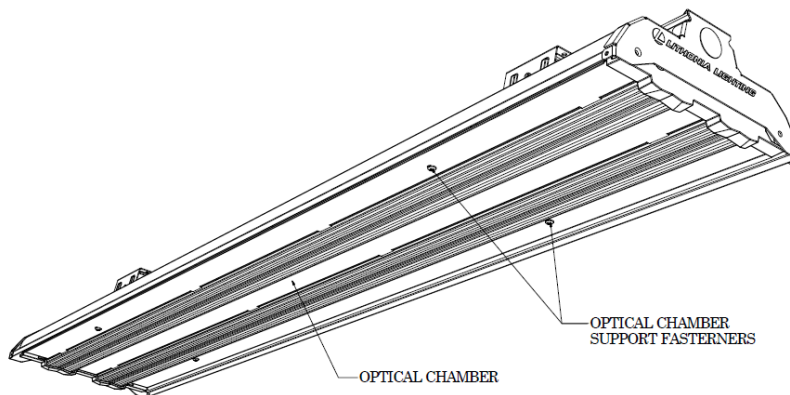


FIGURE 3