

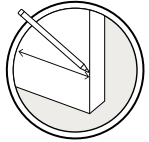
Capella

CAP- B90

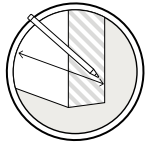
90° Glass-To-Glass Panel Clip



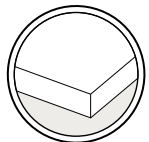
Do not measure images.
Use specified dimensions.



Measure from finished edge of glass.

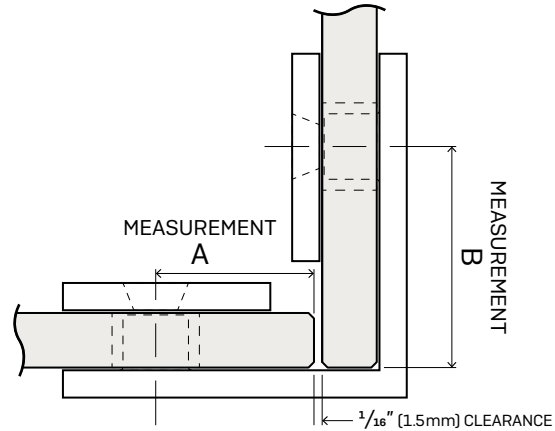


Measure from mitered edge of glass.

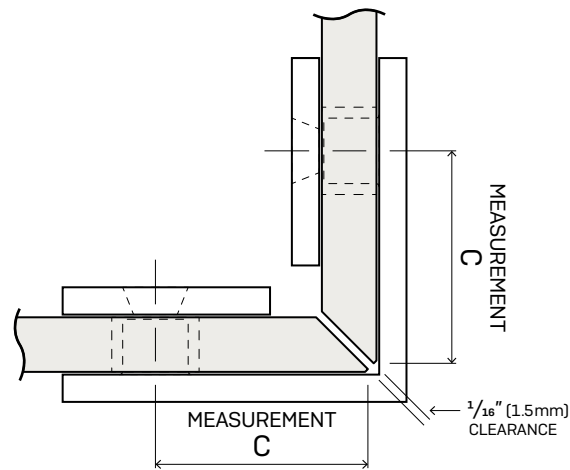


Use monolithic glass.

> Use 3/8" to 1/2" (10 to 12 mm)
Thick Tempered Glass Only

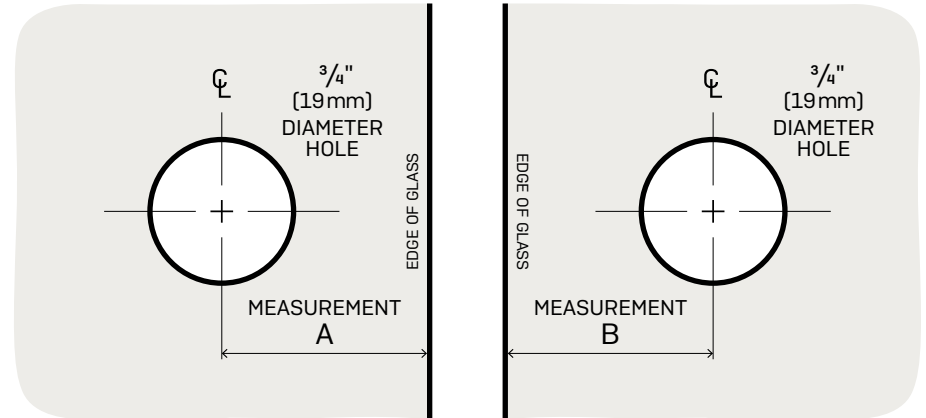


Glass Thickness	A	B
3/8" [10mm]	1 3/16" [30mm]	1 5/8" [41mm]
1/2" [12mm]	1 1/16" [27mm]	1 5/8" [41mm]



Glass Thickness	C
3/8" [10mm]	1 1/2" [38mm]
1/2" [12mm]	1 1/2" [38mm]

TEMPLATE OPTION FOR STANDARD FLAT POLISHED SQUARE CUT GLASS



TEMPLATE OPTION FOR 45° MITERED GLASS (TYPICAL INSTALLATION)

